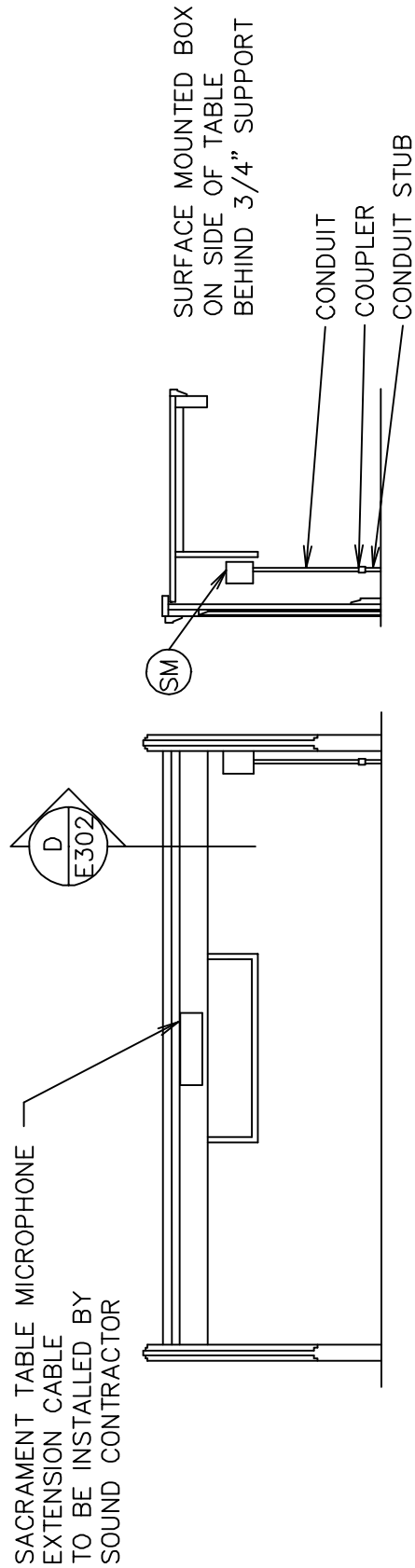


E 302 SOUND DETAILS



SECTION "D"

SACRAMENT TABLE C E301
SCALE: 1/2" = 1'-0"

Project Number: 0805
Plan Series: FAY-170-02 [07]-02
Property Number: 500-0881-08020101

DATE 3/8/10
SHEET NO. AD-13d

Project for:
**THE CHURCH OF
JESUS CHRIST
OF LATTER-DAY SAINTS**

**THOMASTON, GA
BRANCH**
JONESBORO, GA STAKE
HWY. 36 North of
ROCK HILL SCHOOL RD.
THOMASTON, GA. 30286

W
AZAR . WALSH
ARCHITECTS

American Institute Of Architects AIA
• 401 CHERRY STREET SUITE 700
MACON, GEORGIA 31201 -USA-
• TEL 478 750 7117
• FAX 478 750 9192