

201000582742

Moreland Altobelli Associates, Inc.



Cobb Office: 1800 Roswell Road N.E, Suite 1050  
 Marietta, Georgia 30062  
 770.565.8520 Fax 770.565.8042

PROJECT: **HARRISON HIGH SCHOOL  
 BROADCAST MEDIA LAB**  
 4500 Due West Road, Kennesaw, GA 30152  
 COBB COUNTY PUBLIC SCHOOLS  
 BID No. 10-82

DATE:

July 7, 2010

## ADDENDUM No. 3

PAGE:

1 of 1

Plans and Specifications for the referenced project, as prepared by Moreland Altobelli Associates, Inc., dated June 10, 2010 are hereby modified in the following particulars:

### A. DRAWINGS

#### 1. A3 – DEMOLITION FLOOR PLAN AND NOTES

- a. Add the following to the third demolition note:  
 "THE FIRE ALARM SYSTEM AT THE SCHOOL IS MANUFACTURED BY GAMEWELL. CONTRACTORS MUST USE A GAMEWELL CERTIFIED CONTRACTOR FOR WORK INVOLVING THE FIRE ALARM SYSTEM. CERTIFIED CONTRACTORS INCLUDE, BUT ARE NOT LIMITED TO, ENTEC SYSTEMS, INC."
- b. Add RTU support frame details. (See Attachment No. 2, 3 and 4)

#### 2. A5 – SECTIONS AND DETAILS

- a. Modify SIII Detail S-4 to show raised flooring. (See Attachment No. 1)
- b. Roof Plan: Add the following to RTU framing note: "SEE FRAMING DETAILS 2/A3"

#### 3. E1 – ELECTRICAL POWER PLAN

- a. Provide additional circuit for outlets in Studio #110. Relocate new outlet on north wall. (See Attachment no. 1).
- b. Add the following to Keyed Note #B"  
 "THE FIRE ALARM SYSTEM AT THE SCHOOL IS MANUFACTURED BY GAMEWELL. CONTRACTORS MUST USE A GAMEWELL CERTIFIED CONTRACTOR FOR WORK INVOLVING THE FIRE ALARM SYSTEM. CERTIFIED CONTRACTORS INCLUDE, BUT ARE NOT LIMITED TO, ENTEC SYSTEMS, INC."

#### 4. E2 – ELECTRICAL LIGHTING PLAN

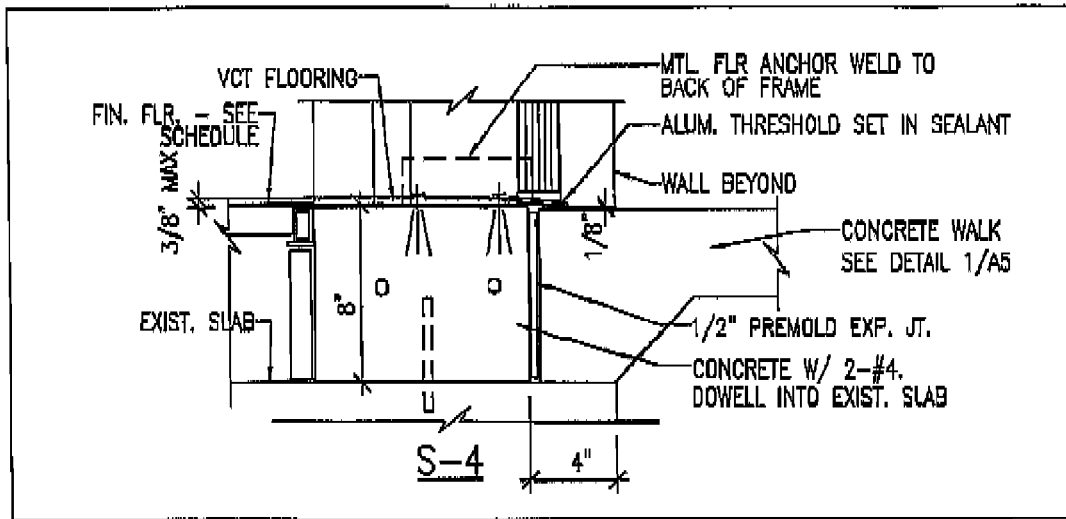
- a. Add the following to Electrical Systems note 'D':  
 "THE FIRE ALARM SYSTEM AT THE SCHOOL IS MANUFACTURED BY GAMEWELL. CONTRACTORS MUST USE A GAMEWELL CERTIFIED CONTRACTOR FOR WORK INVOLVING THE FIRE ALARM SYSTEM. CERTIFIED CONTRACTORS INCLUDE, BUT ARE NOT LIMITED TO, ENTEC SYSTEMS, INC."

END OF ADDENDUM No. 3

ATTACHMENT: No. 1, 2, 3 and 4

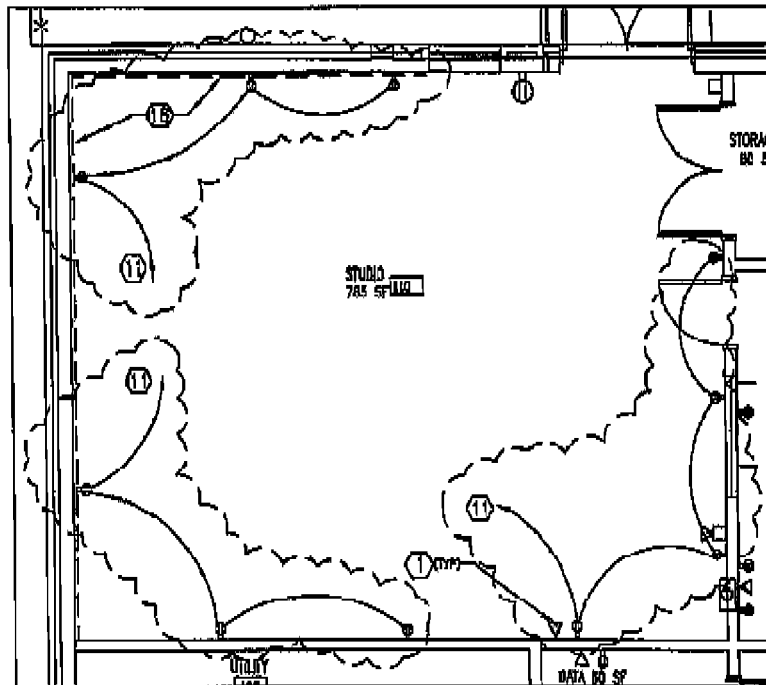
(TOTAL PAGES IN ADDENDUM No. 3: 5 PAGES)

HARRISON H.S. BROADCAST MEDIA LAB - ADDENDUM NO. 3



**PARTIAL DOOR DETAIL**

SCALE: 1 1/2"=1'-0"



**PARTIAL POWER PLAN**

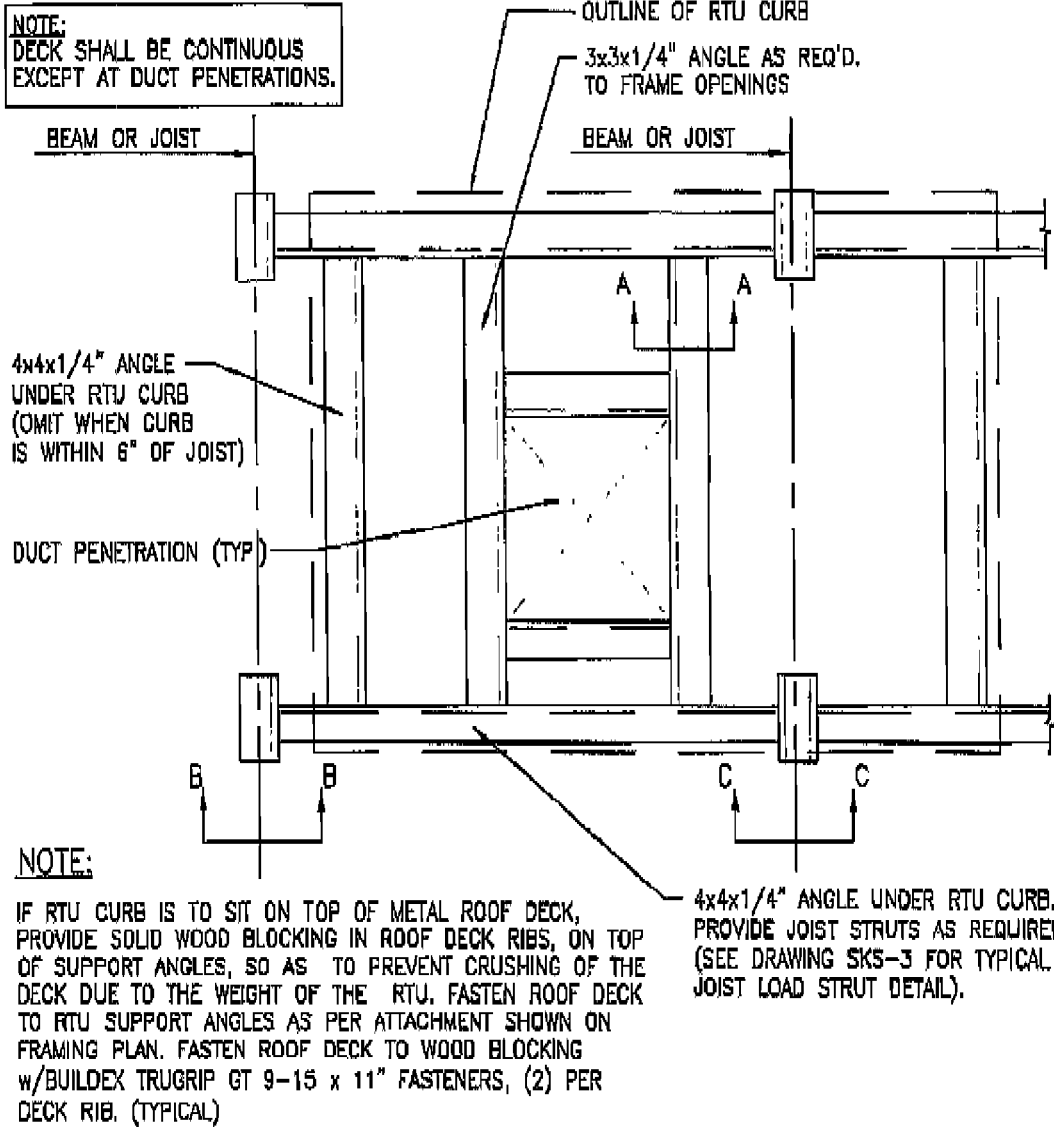
SCALE: 1/8"=1'-0"



BLDG NORTH

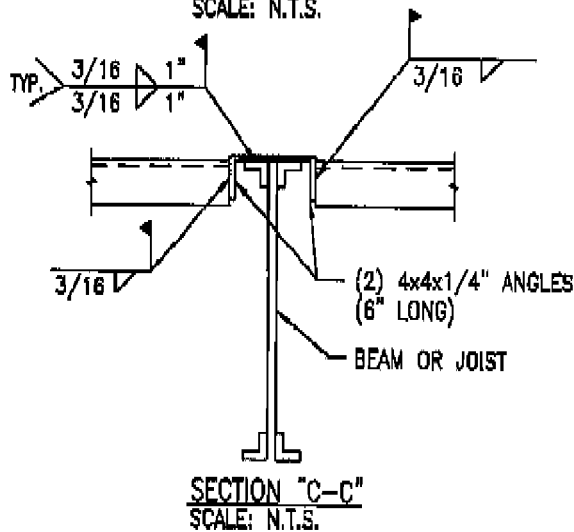
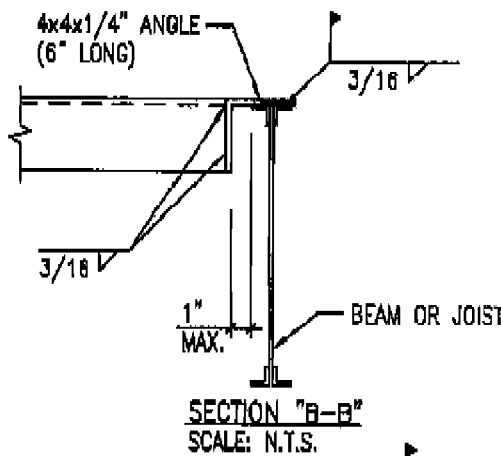
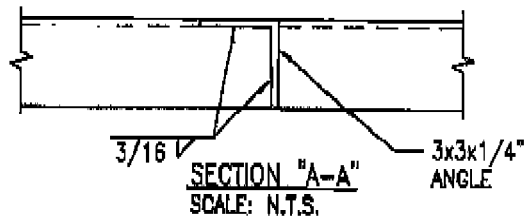
ATTACHMENT NO. 1

HARRISON H.S. BROADCAST MEDIA LAB - ADDENDUM NO. 3



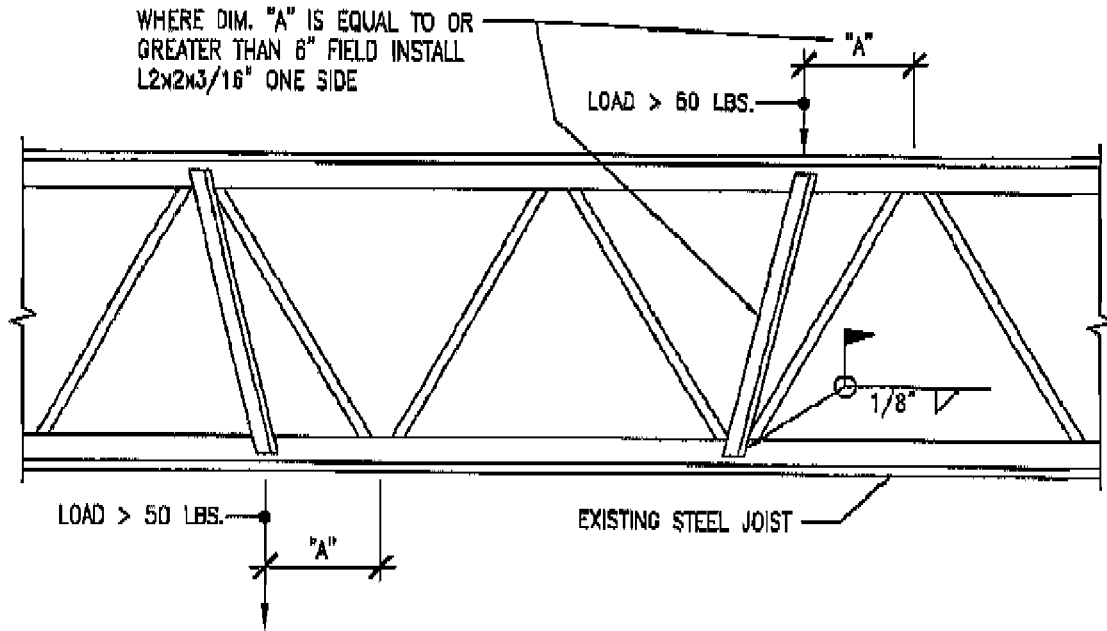
2
RTU SUPPORT FRAME DETAILS  
3/4" = 1'-0"

HARRISON H.S. BROADCAST MEDIA LAB - ADDENDUM NO. 3



RTU SUPPORT FRAME SECTIONS

HARRISON H.S. BROADCAST MEDIA LAB - ADDENDUM NO. 3



TYPICAL JOIST LOAD STRUT