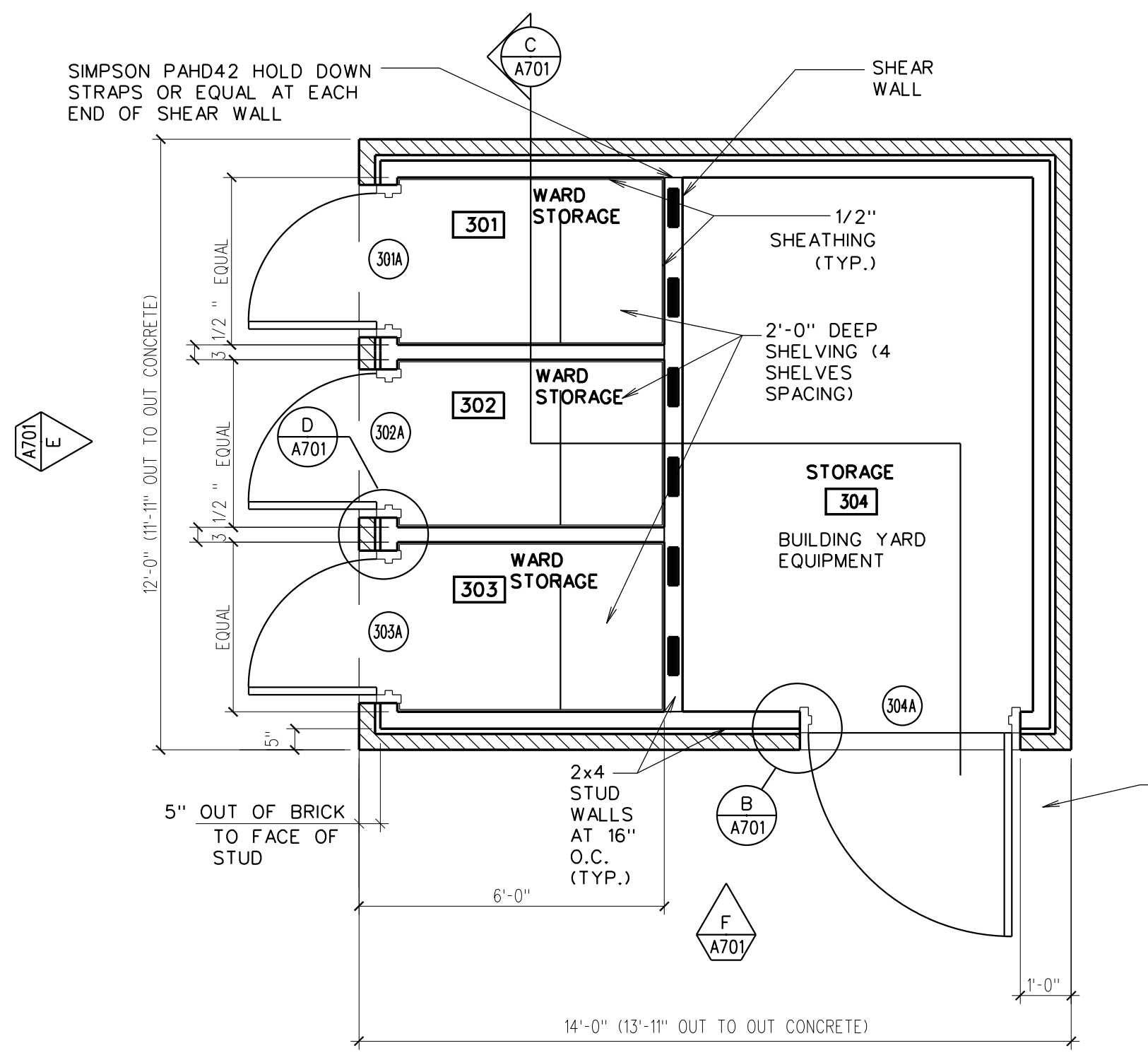
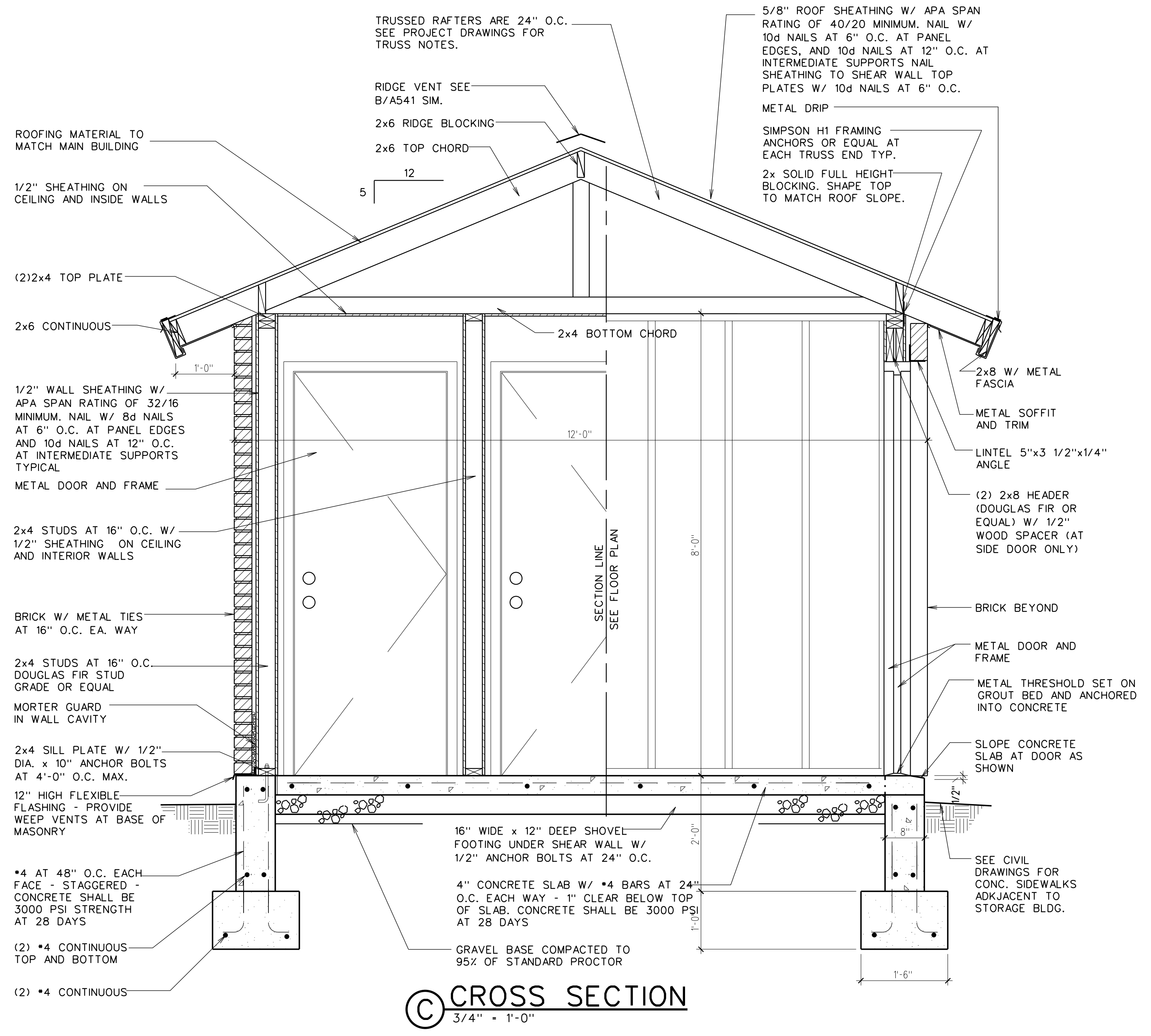
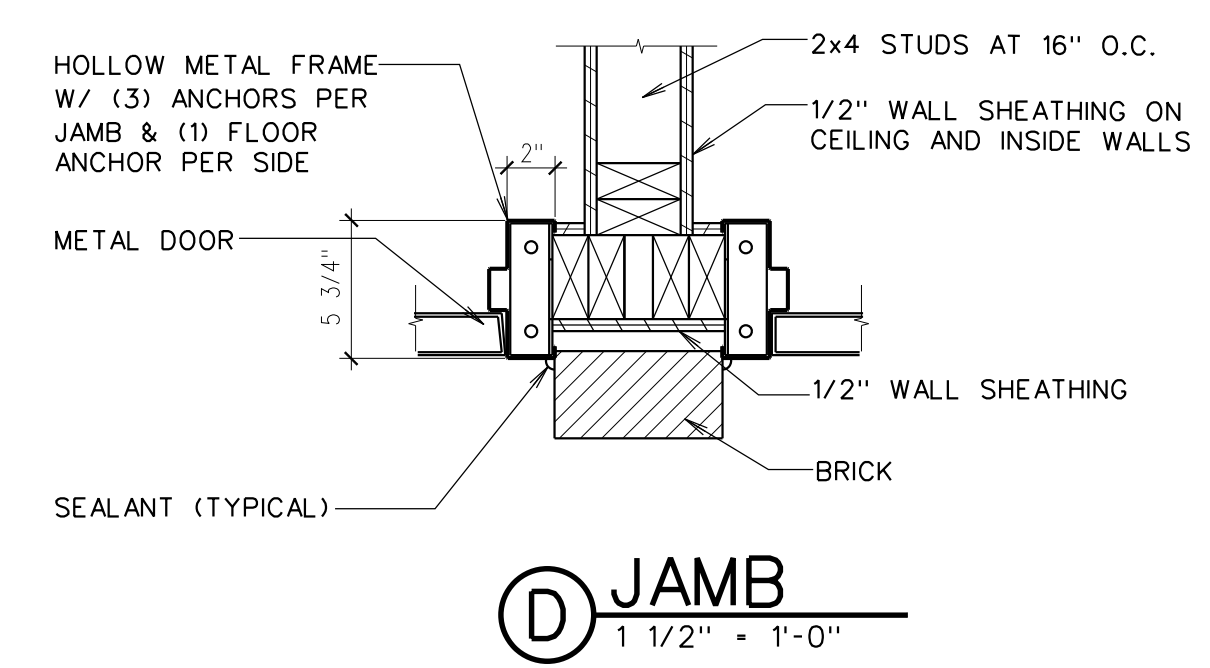
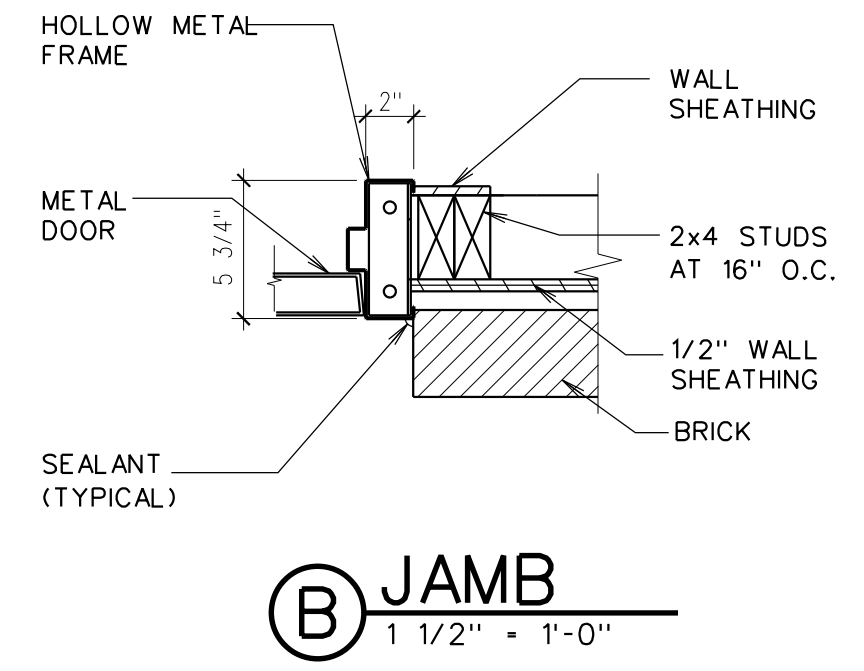
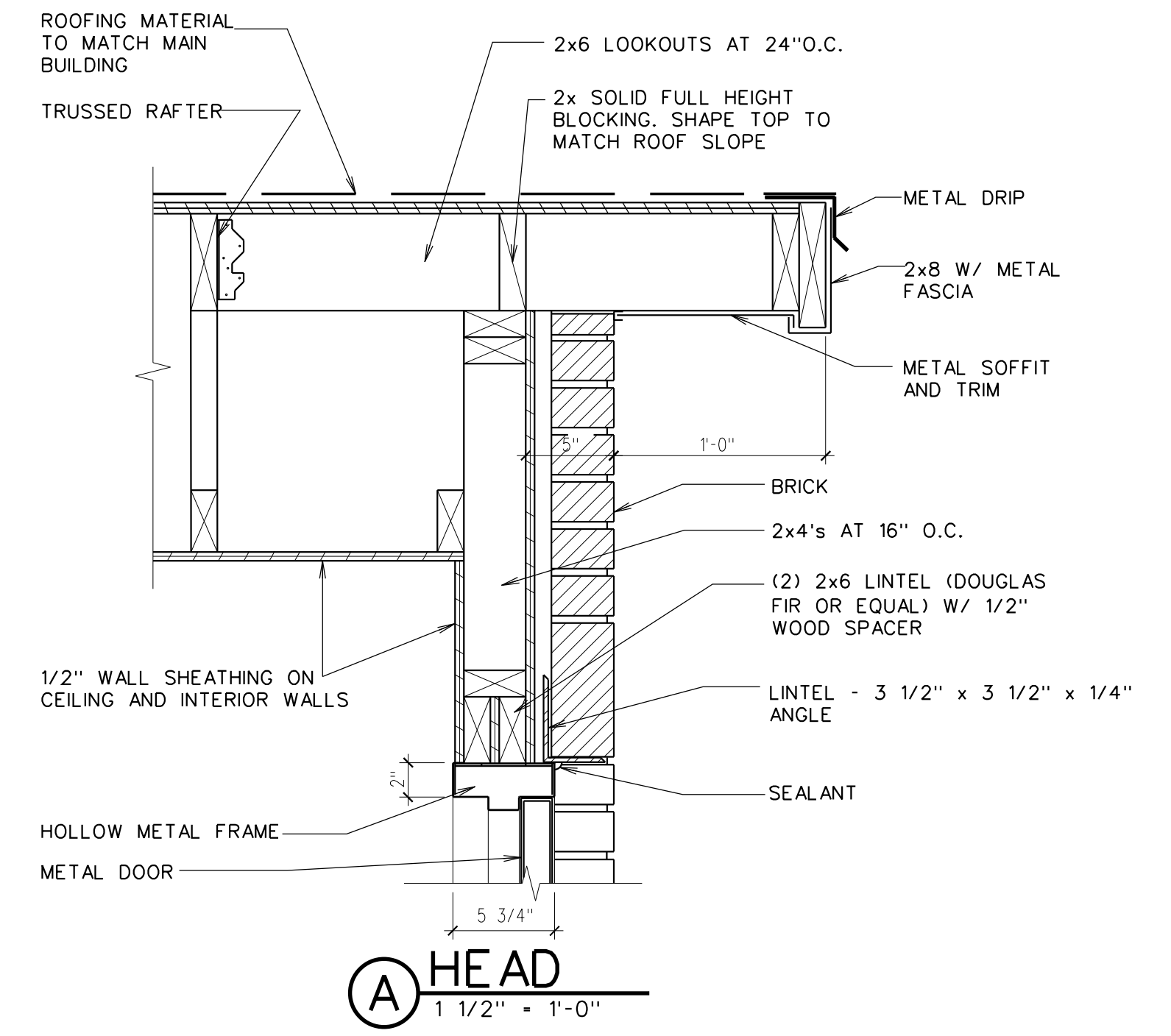
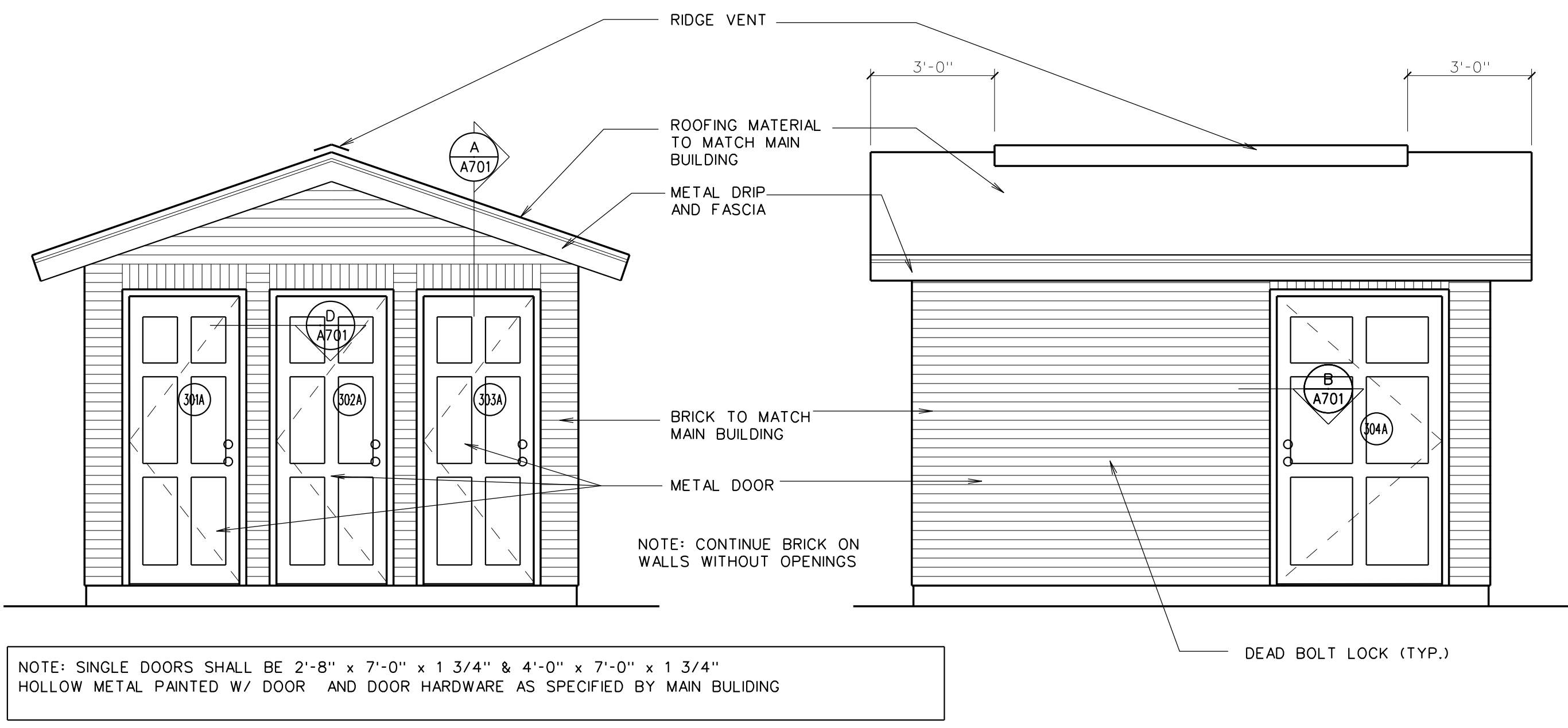


Rev.	Date (mm/dd/yyyy)	Description

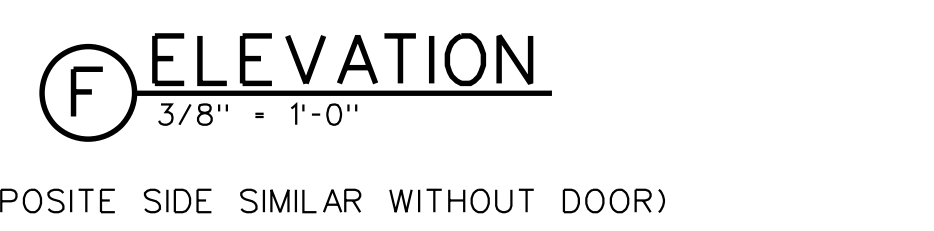


SHEAR WALL NOTE: EXTEND SHEAR WALL TO BOTTOM OF ROOF SHEATHING. PROVIDE DOUBLE TOP PLATES. BLOCK ALL SHEATHING EDGES. NAIL AS PER TYPICAL SHEATHING NAILING.

SEE CIVIL DRAWINGS FOR CONC. SIDEWALKS ADJACENT TO STORAGE BLDG.



NOTE: SINGLE DOORS SHALL BE 2'-8" x 7'-0" x 1 3/4" & 4'-0" x 7'-0" x 1 3/4" HOLLOW METAL PAINTED W/ DOOR AND DOOR HARDWARE AS SPECIFIED BY MAIN BUILDING



(OPPOSITE END SIMILAR WITHOUT DOORS)

(OPPOSITE SIDE SIMILAR WITHOUT DOOR)