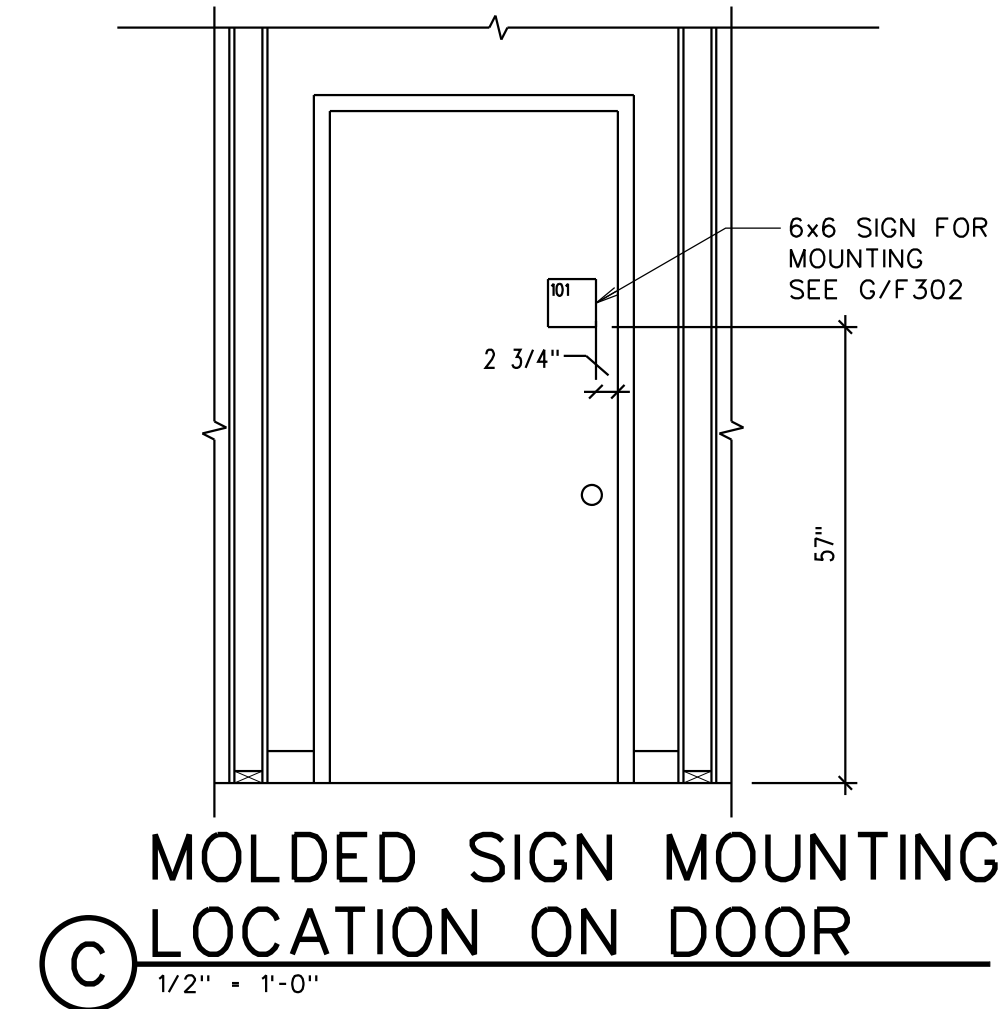
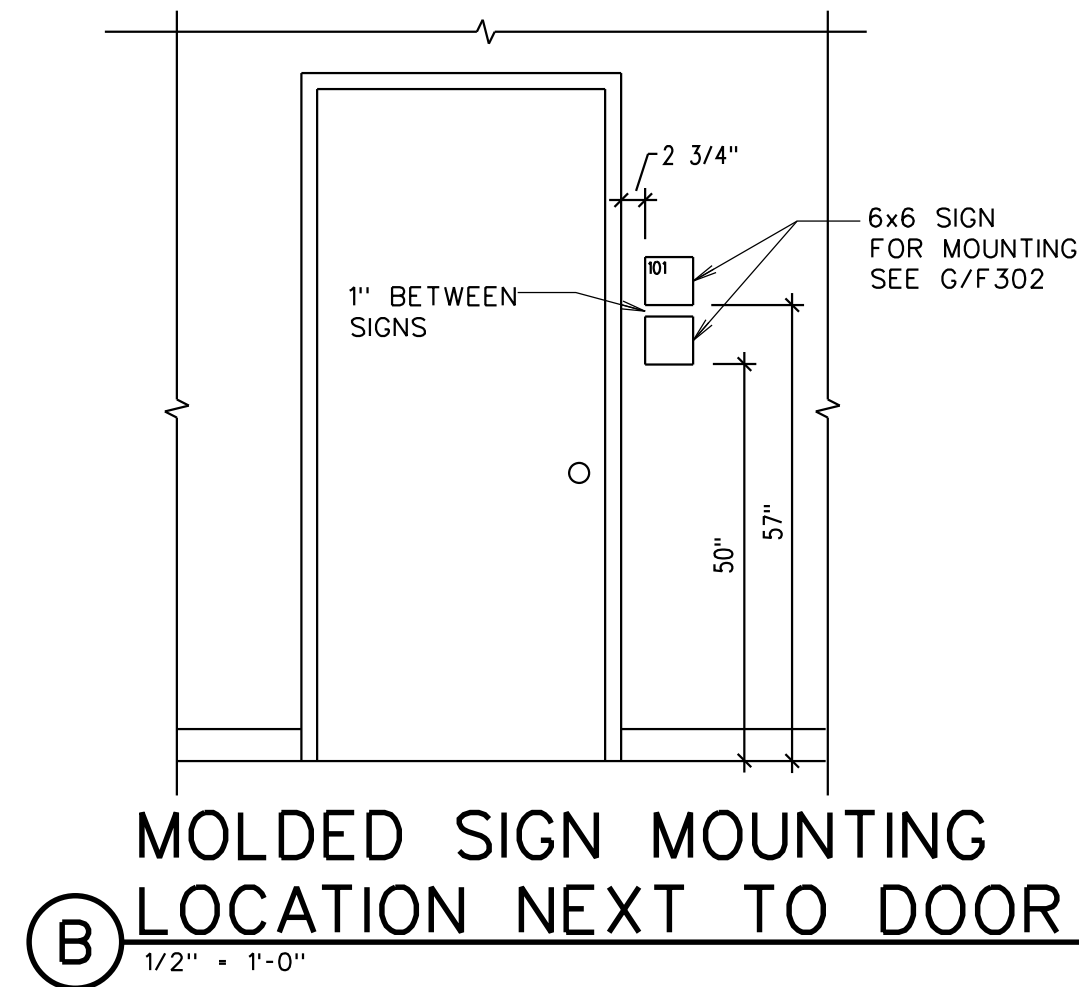
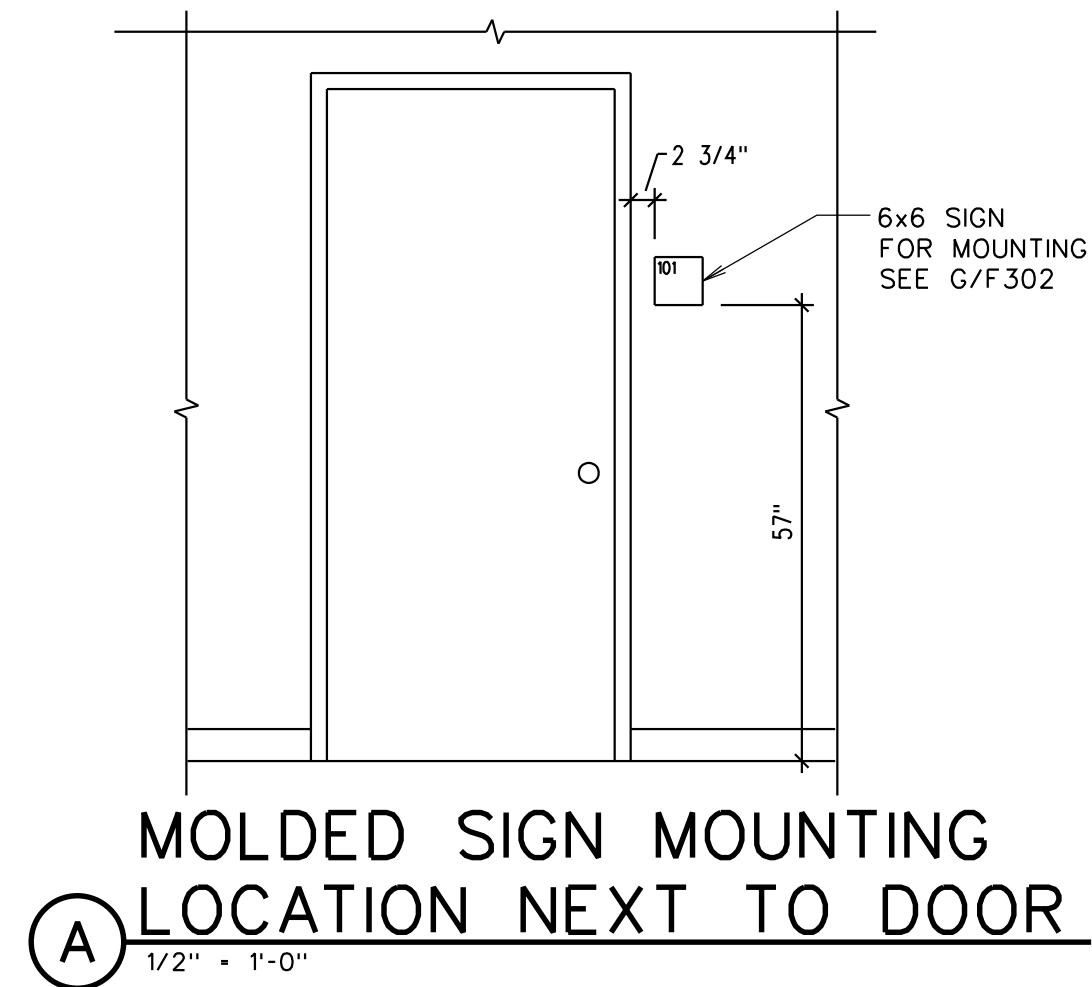


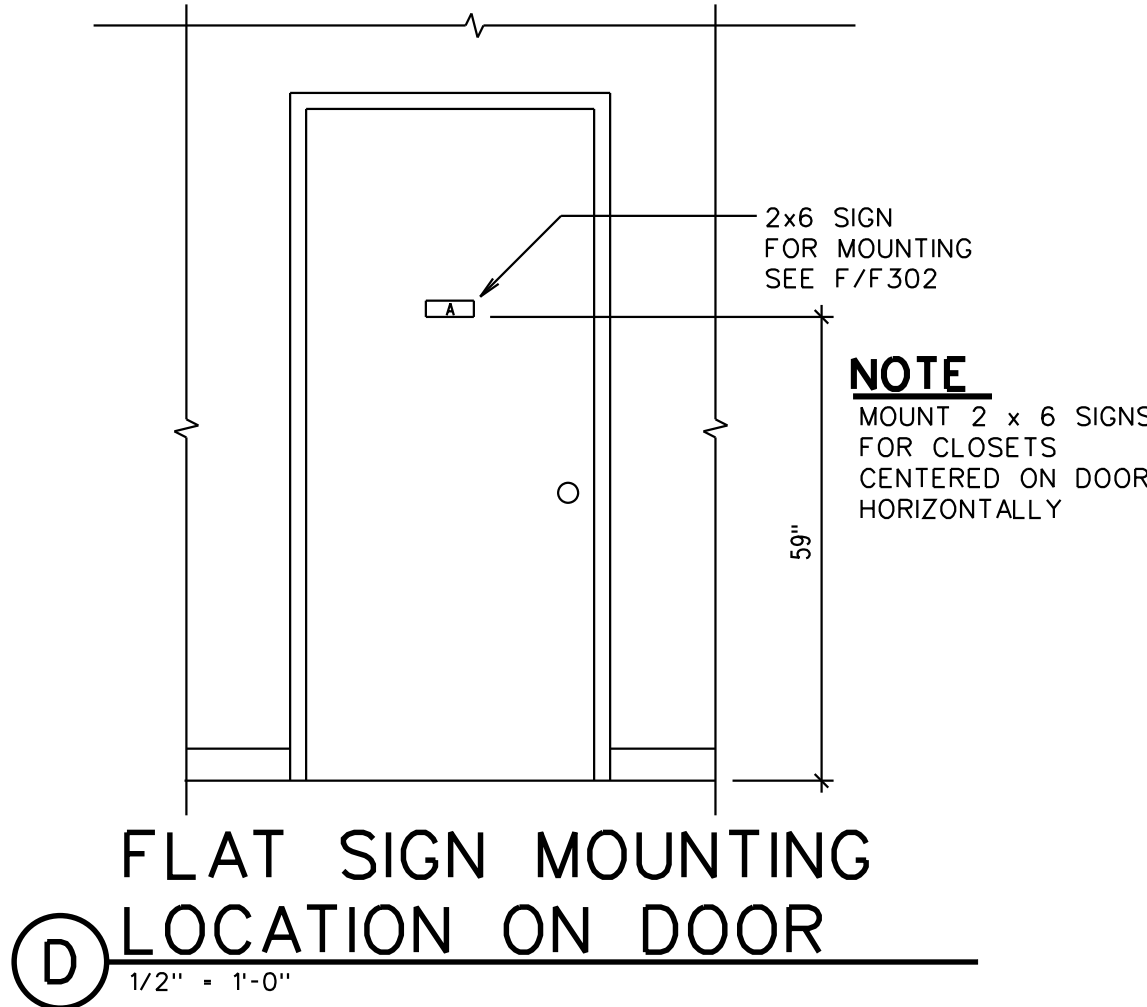
## BUILDING SIGNAGE SCHEDULE

SIGNAGE ROOM NAME OR NUM.	QUANTITY	SIZE	MOUNTING	
101	1	6x6	A/F 302	
102	2	6x6	A/F 302	
103	1	6x6	A/F 302	
104	1	6x6	A/F 302	
105	1	6x6	A/F 302	
106	1	6x6	A/F 302	
107	1	6x6	A/F 302	
108	1	6x6	A/F 302	
109	1	6x6	A/F 302	
M101	1	6x6	A/F 302	
BISHOP'S OFFICE - WARD NAME	1	6x6	A/F 302	SPECIFY WARD NAME
OFFICE	2	6x6	A/F 302	
CLERKS' OFFICE	1	6x6	A/F 302	
MEN	1	6x6	B/F 302	
WOMEN	1	6x6	B/F 302	
RESTROOM	1	6x6	B/F 302	
MOTHERS' ROOM	1	6x6	A/F 302	
MEMBER CUSTODIAL FIRST AID KIT	1	6x6	A/F 302	
SERVING AREA FIRST AID KIT	1	6x6	A/F 302	
RELIEF SOCIETY	1	6x6	A/F 302	
MATERIALS CENTER	1	6x6	A/F 302	
CULTURAL CENTER	2	6x6	A/F 302	
PRIMARY	1	6x6	A/F 302	
CHAPEL	2	6x6	H/F 302	
				SPECIFY MAXIMUM OCCUPANCY
MAXIMUM OCCUPANCY	2	6x6	A/F 302	217
MAXIMUM OCCUPANCY	2	6x6	A/F 302	194
MAXIMUM OCCUPANCY	1	6x6	A/F 302	86
A (FLAT SIGN ONLY)	2 EACH	2x6	E/F 302	
B THRU R (FLAT SIGN ONLY)	1 EACH	2x6	E/F 302	
LISTENING DEVICES AVAILABLE IN THE MATERIALS CENTER	2	6x6	MOUNT BELOW THE "CHAPEL" SIGN ON EACH SIDE OF THE CHAPEL. SEE H/F 302	
ASSISTIVE LISTENING SYSTEM AVAILABLE	1 PER WARD	6x6	MOUNT ON THE BOTTOM RIGHT CORNER OF THE TACKBOARD.	
THIS ROOM IS FOR WARMING AND SERVING FOOD, NOT FOR PREPARING OR COOKING FOOD.	1	6x6	MOUNT ABOVE THE BACKSPASH ON THE WALL TO THE RIGHT OF THE RANGE IN THE SERVING AREA	
PEW MOUNTED ADA SIGN	4	3x3	MOUNT ON EACH END OF PEW AT WHEEL CHAIR LOCATION-SEE H/F 302	
IN CASE OF EMERGENCY CALL 911	1	3x3	SPECIFY BUILDING ADDRESS & PHONE NUMBER	

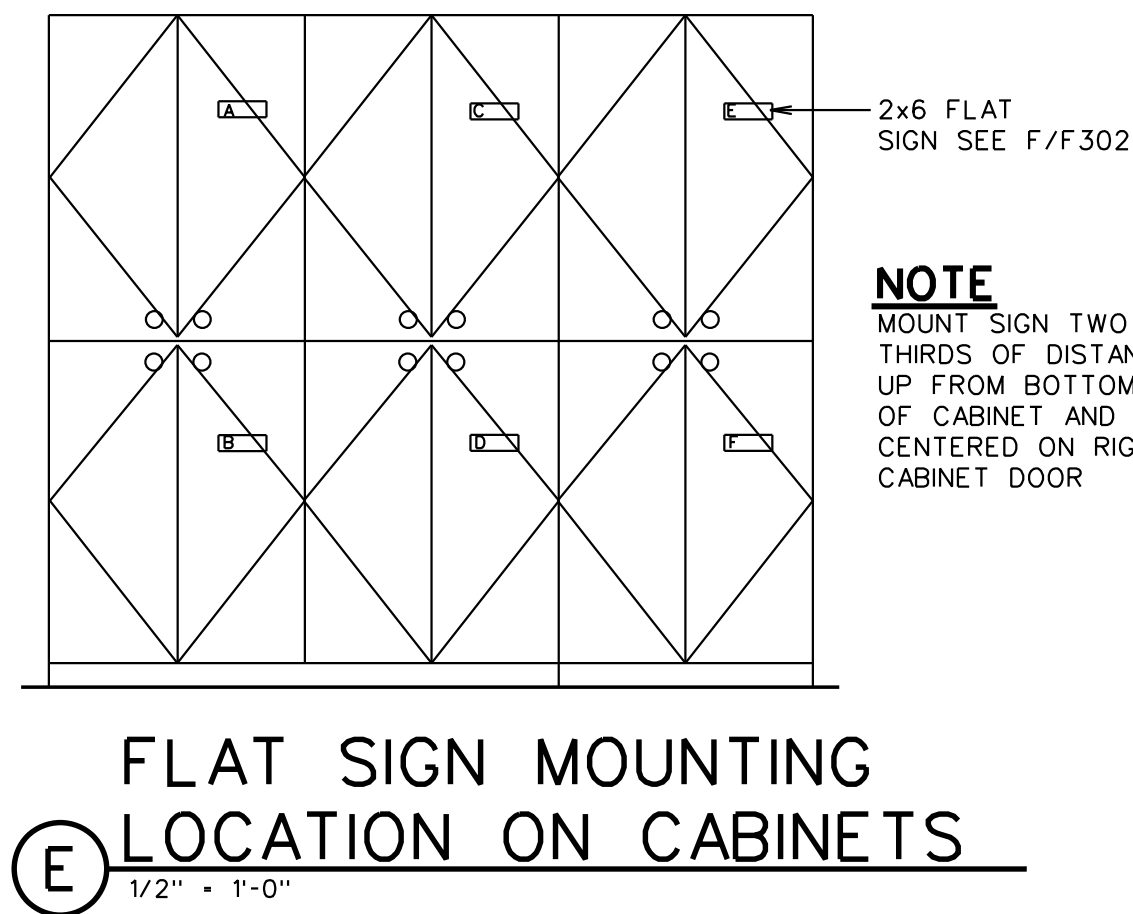
**NOTE:**  
911 EMERGENCY PHONE SIGN IS NOT INCLUDED WITH THE SIGNAGE PACKAGE. THIS SIGN WILL BE PROVIDED TO THE FACILITIES MANAGEMENT (FM) GROUP AFTER THE TELEPHONE NUMBER HAS BEEN ASSIGNED. FM GROUP WILL MOUNT SIGN.



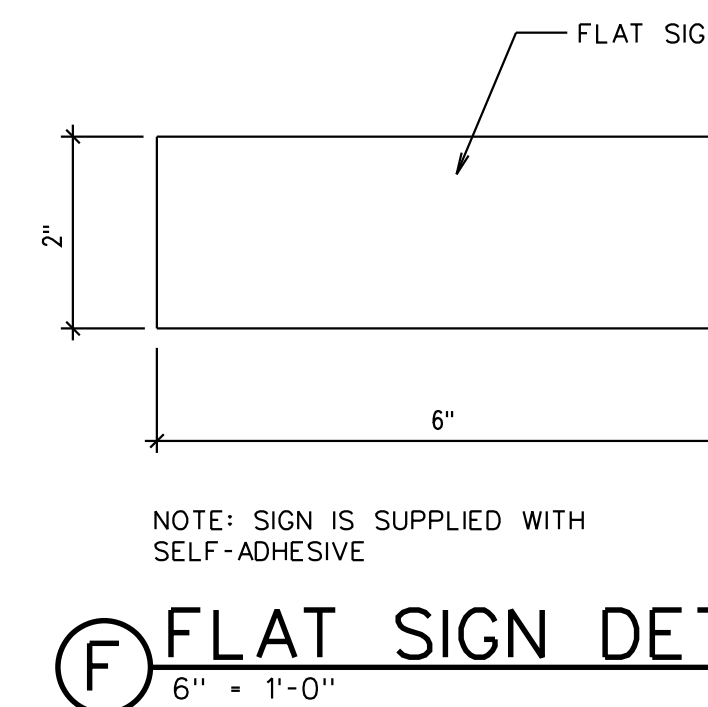
**NOTE:** MOLDED SIGNS MUST NOT BE MOUNTED ON DOORS UNLESS NO OTHER ALTERNATIVE IS AVAILABLE



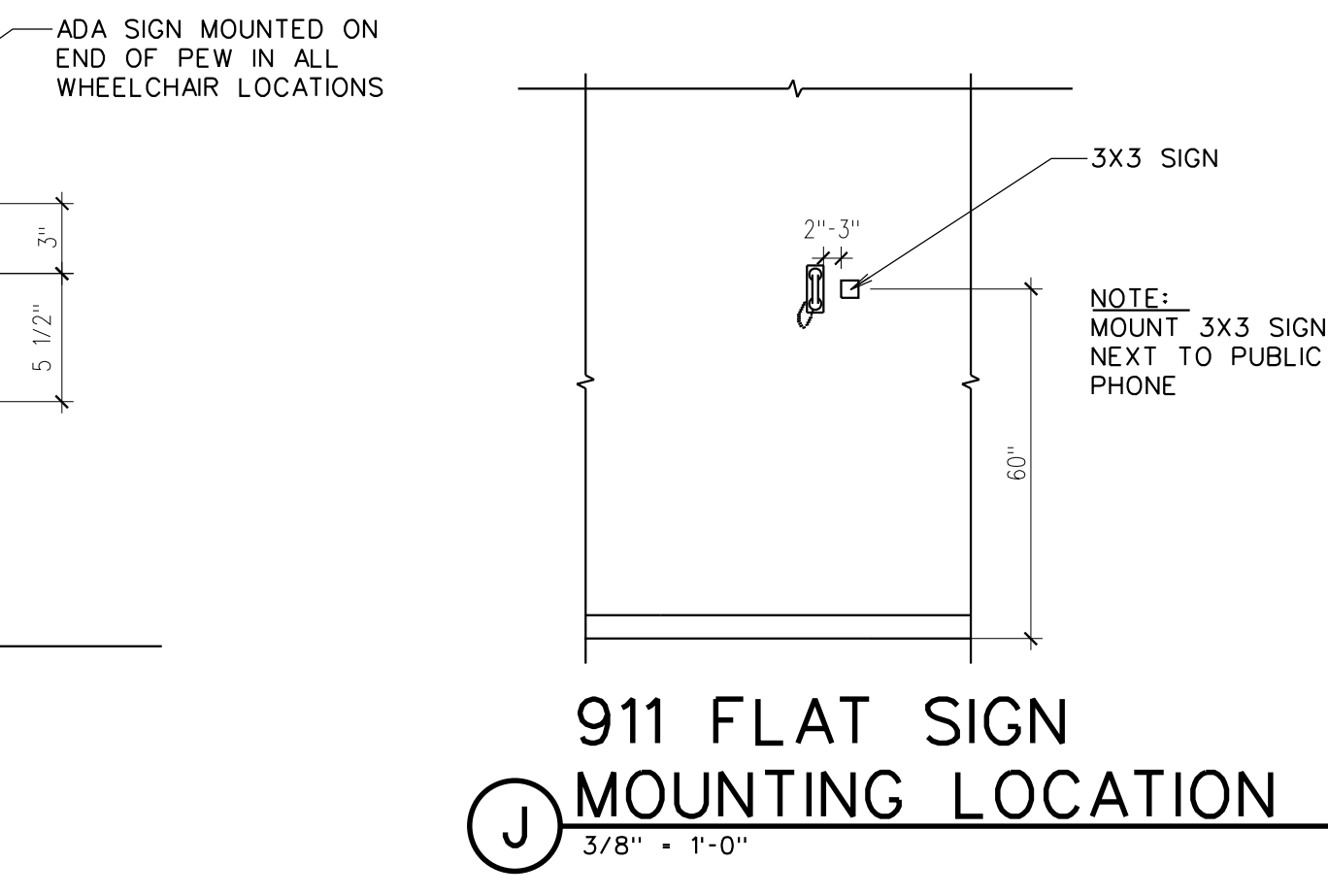
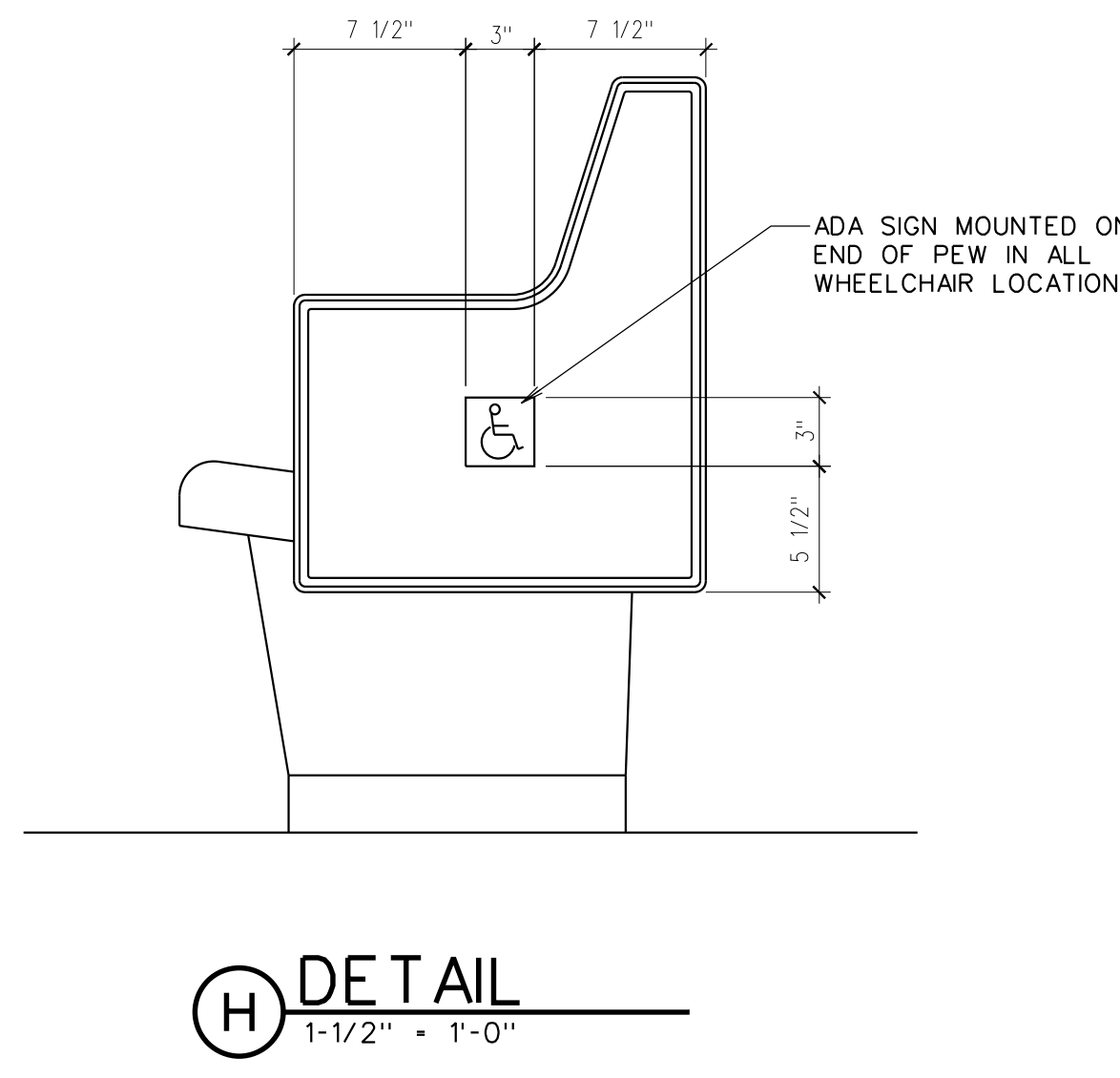
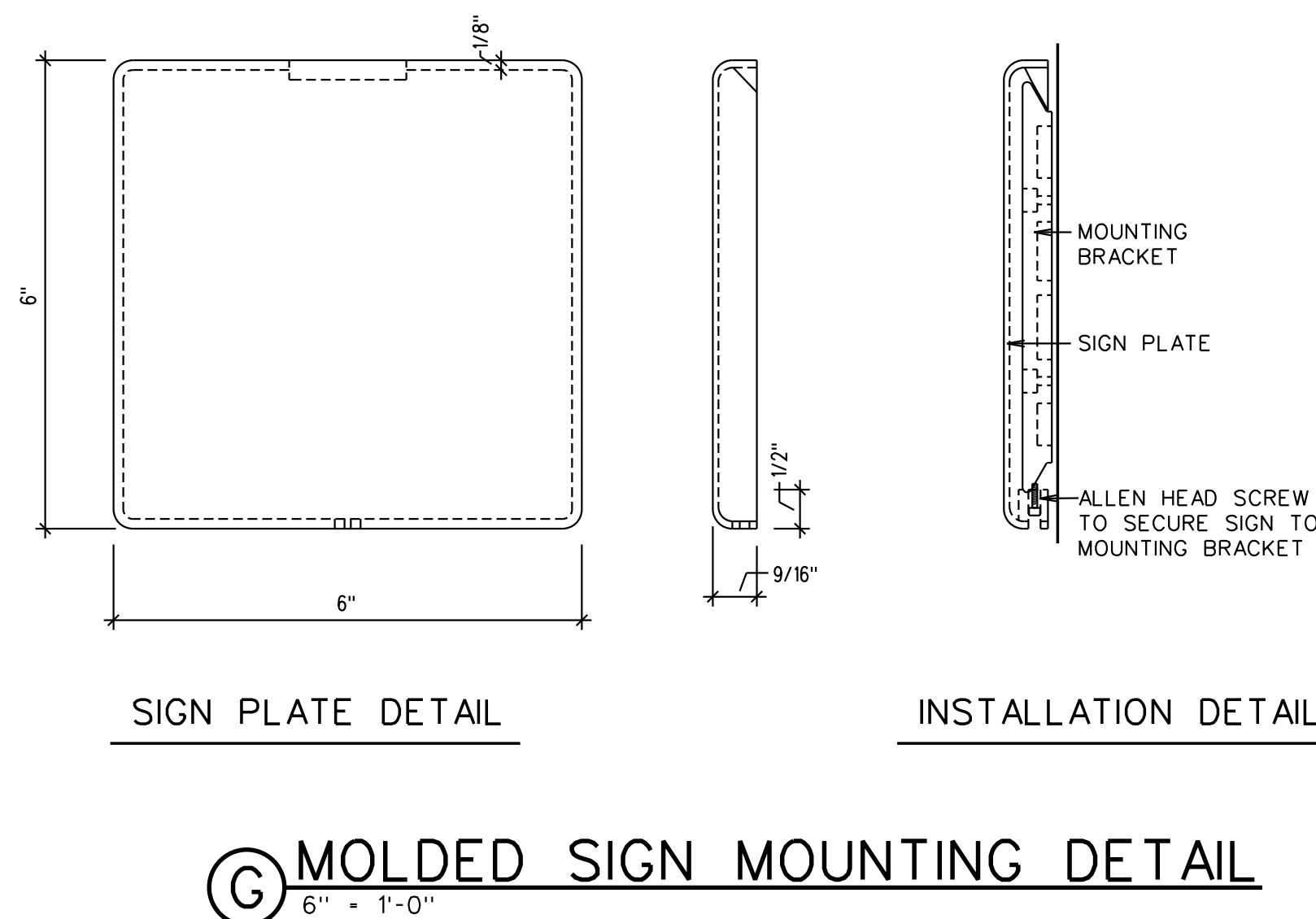
**NOTE:**  
MOUNT 2 x 6 SIGNS FOR CLOSETS CENTERED ON DOOR HORIZONTALLY



**NOTE:**  
MOUNT SIGN TWO THIRDS OF DISTANCE UP FROM BOTTOM OF CABINET AND CENTERED ON RIGHT CABINET DOOR



**NOTE:** SIGN IS SUPPLIED WITH SELF-ADHESIVE



**NOTE:**  
MOUNT 3x3 SIGN NEXT TO PUBLIC PHONE

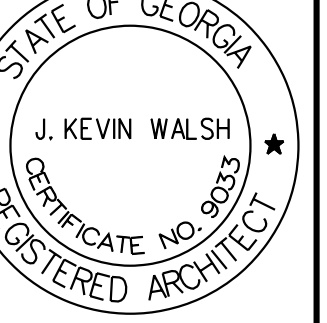
Architect/ Engineer:



American Institute Of Architects AIA

401 CHERRY STREET SUITE 700  
MACON, GEORGIA 31201-USA  
TEL: 478 755 7117 FAX: 478 755 6192  
E-MAIL: mol@azarwalsh.com

Stamp:



**THOMASTON, GA BRANCH**  
**JONESBORO, GA STAKE**  
 HWY. 36 nr ROCK HILL SCHOOL ROAD  
 THOMASTON, GA. 30286

Project for:  
**THE CHURCH OF JESUS CHRIST OF LATTER-DAY SAINTS**

Mark	Date (m-y)	Description

Architect Project Number: 0805  
Plan Series: FAY-170-02-[07]-02  
Project Number: 500-0881-08020101

Sheet Title:  
**ROOM SIGNAGE SCHEDULE AND DETAILS**

Sheet:  
**F302**  
Of 5

Date: MAR. 16, 2009