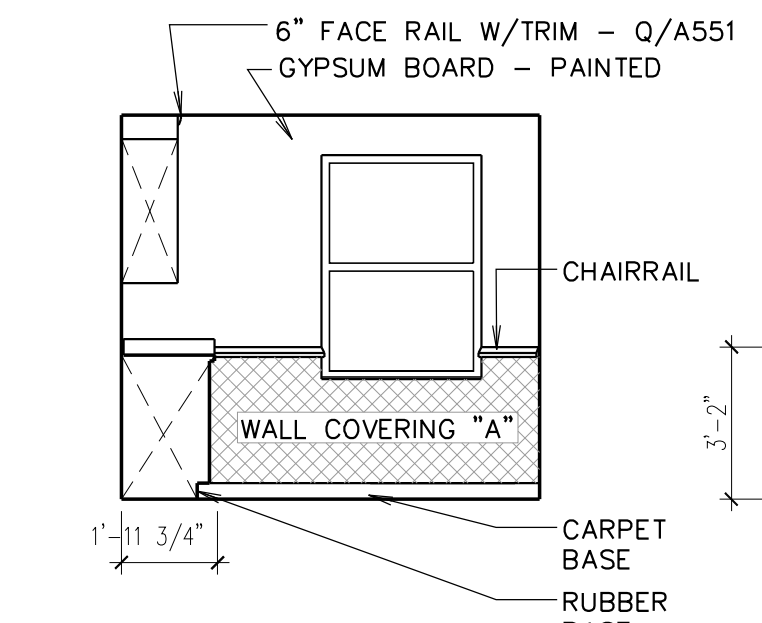
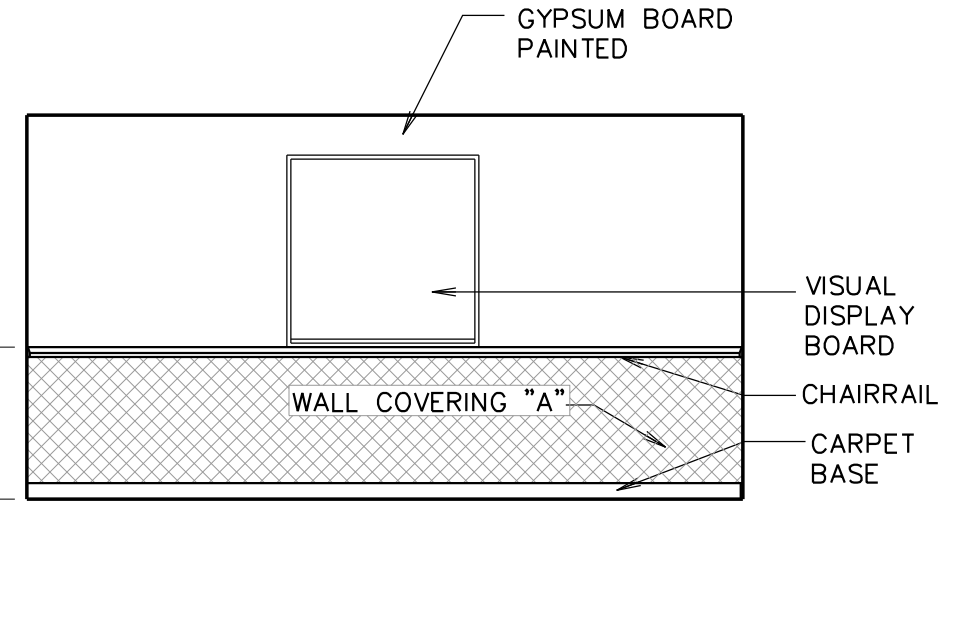


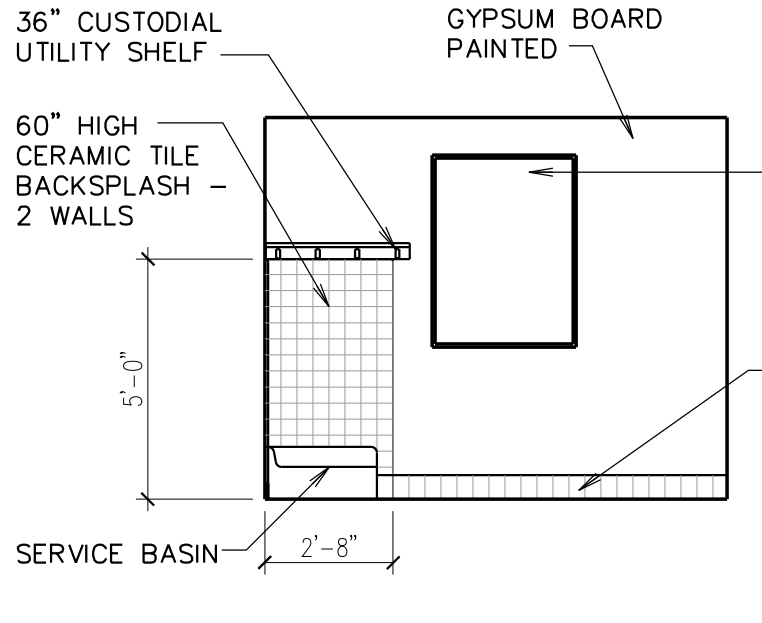
**A ELEVATION**  
1/4" = 1'-0"



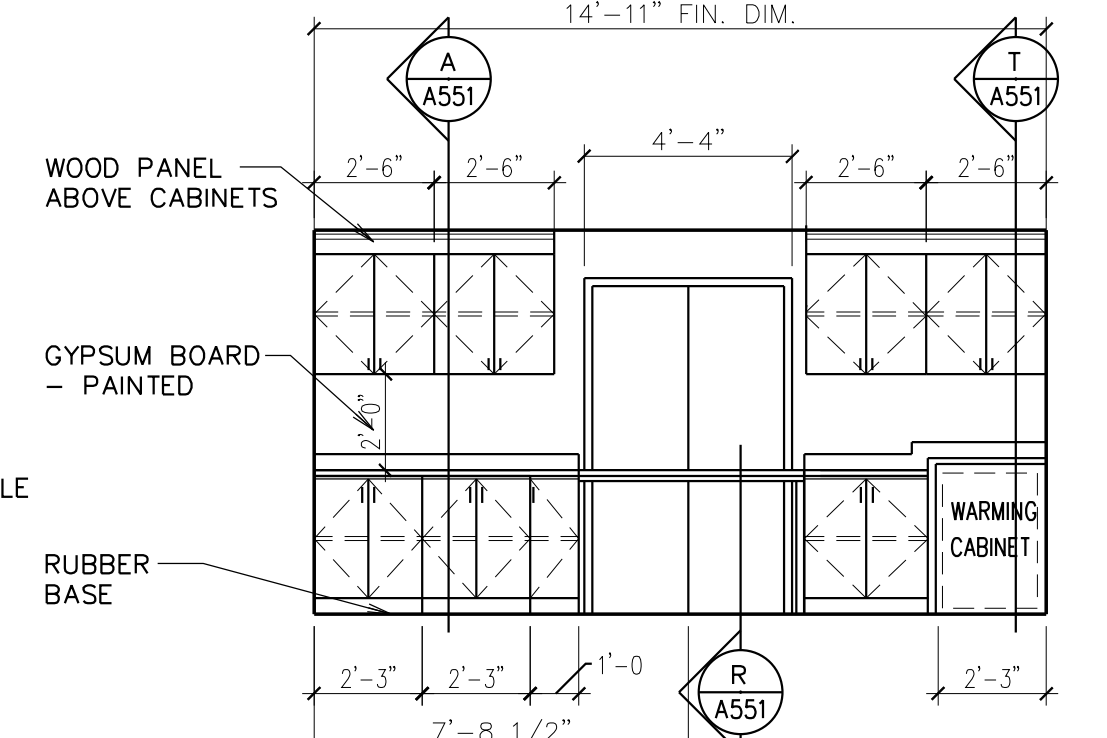
**B ELEVATION**  
1/4" = 1'-0"



**C ELEVATION**  
1/4" = 1'-0"

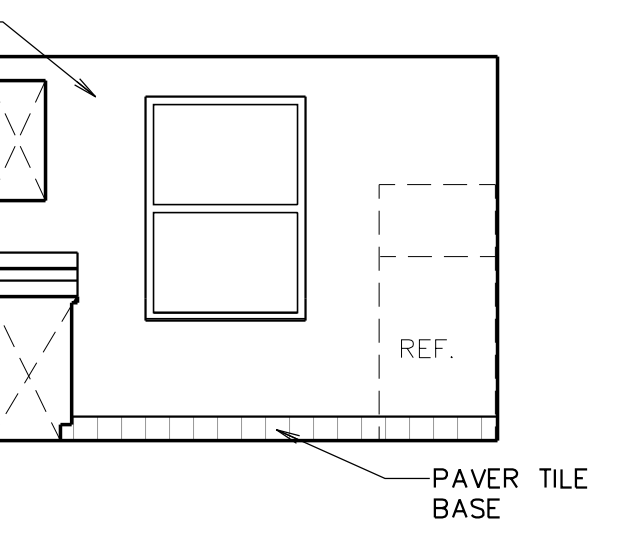
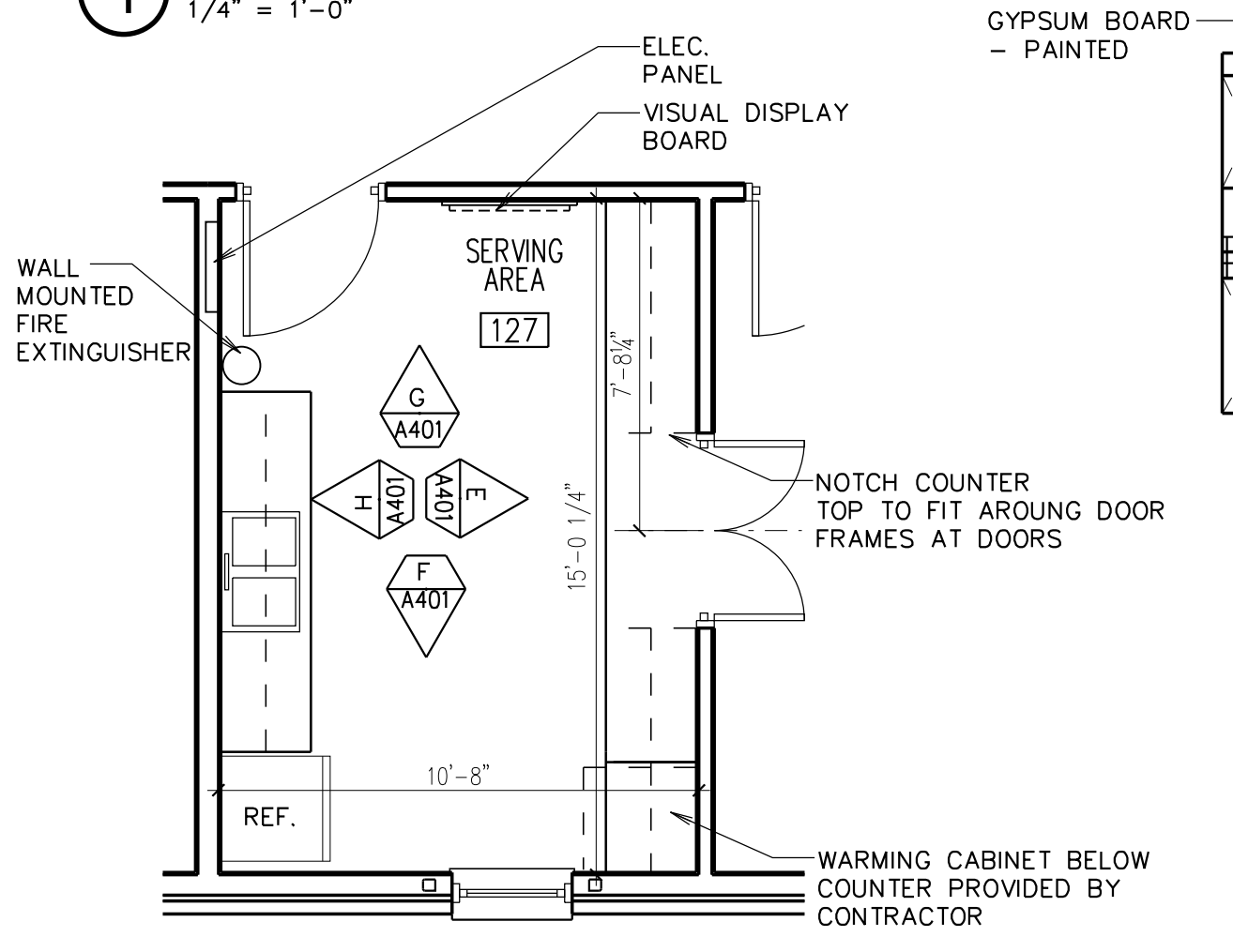


**D ELEVATION**  
1/4" = 1'-0"

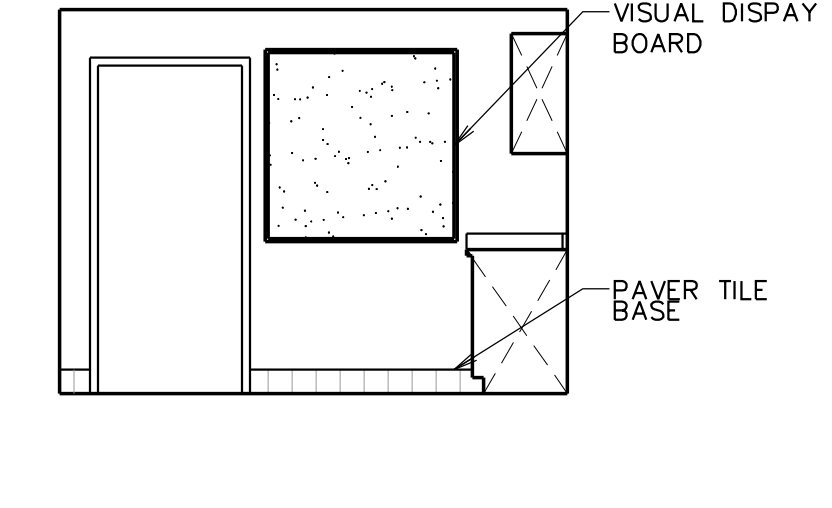


**E ELEVATION**  
1/4" = 1'-0"

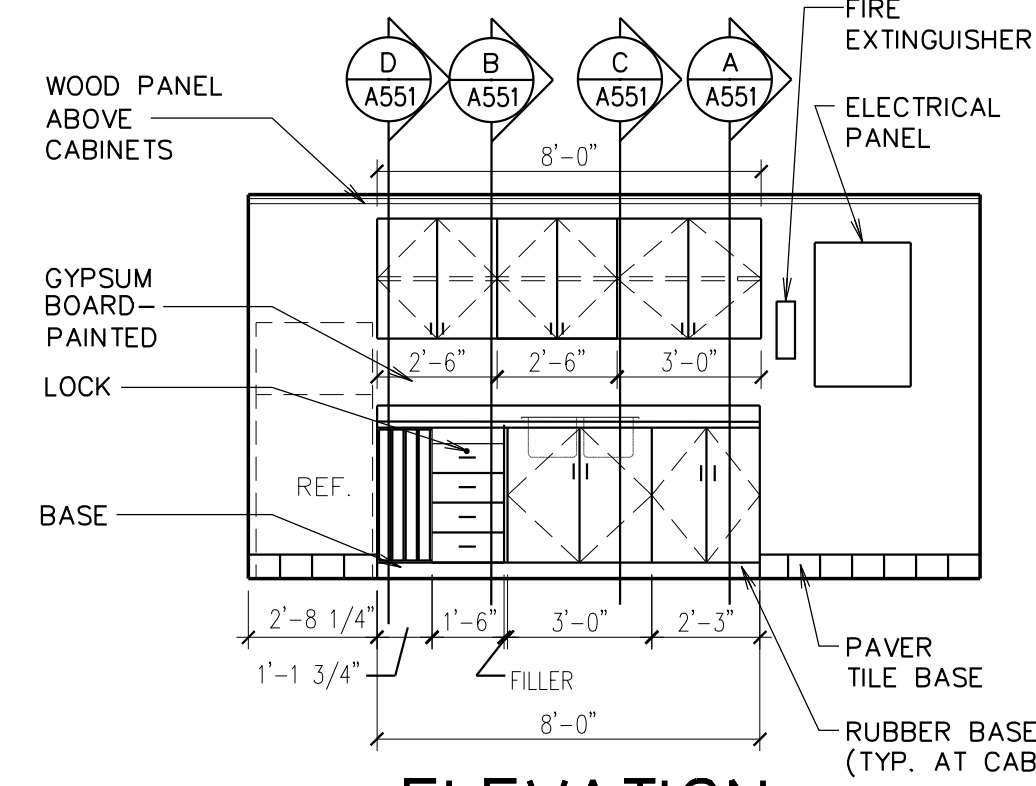
**1 ENLARGED MATERIALS CENTER**  
1/4" = 1'-0"



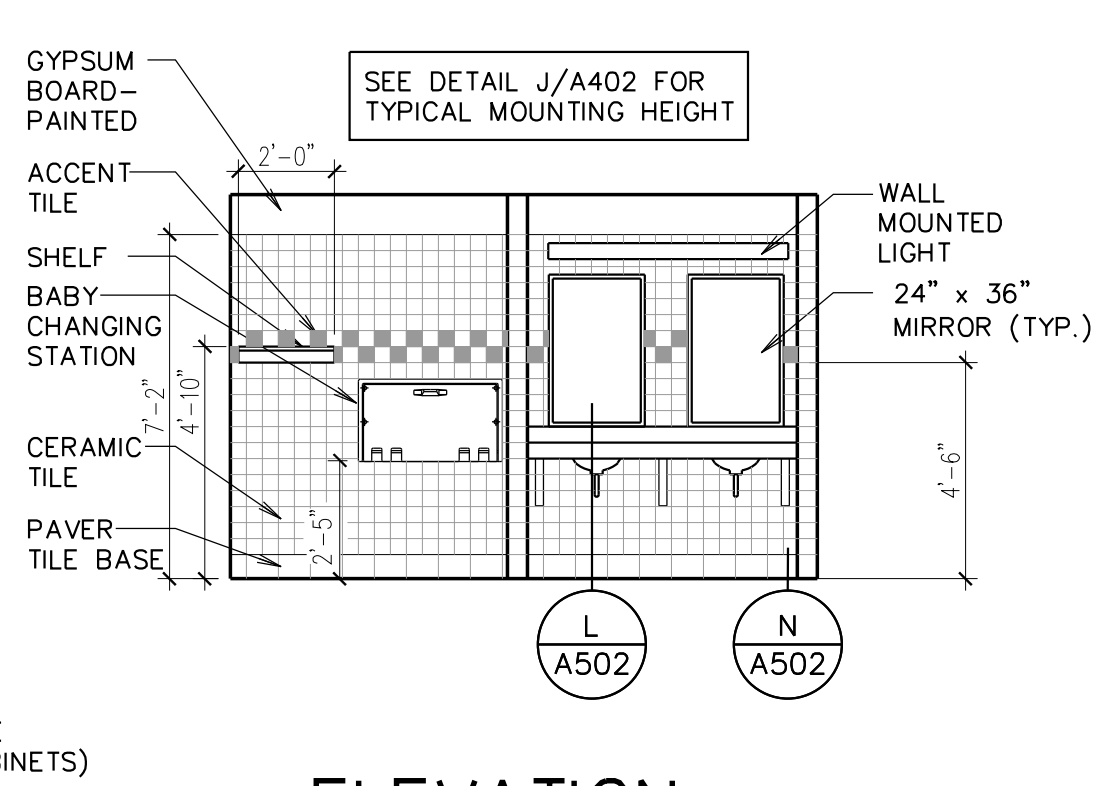
**F ELEVATION**  
1/4" = 1'-0"



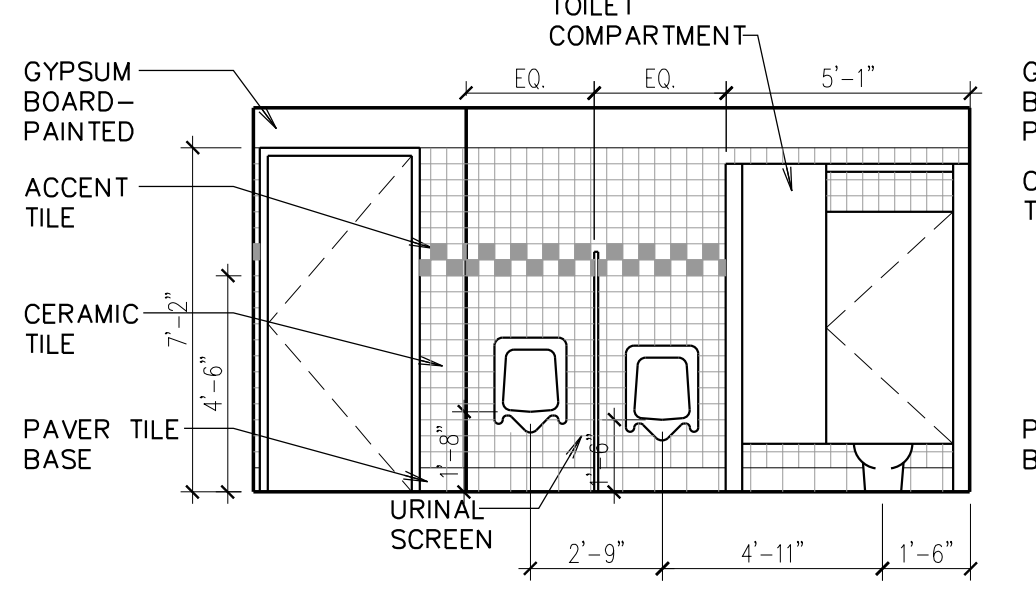
**G ELEVATION**  
1/4" = 1'-0"



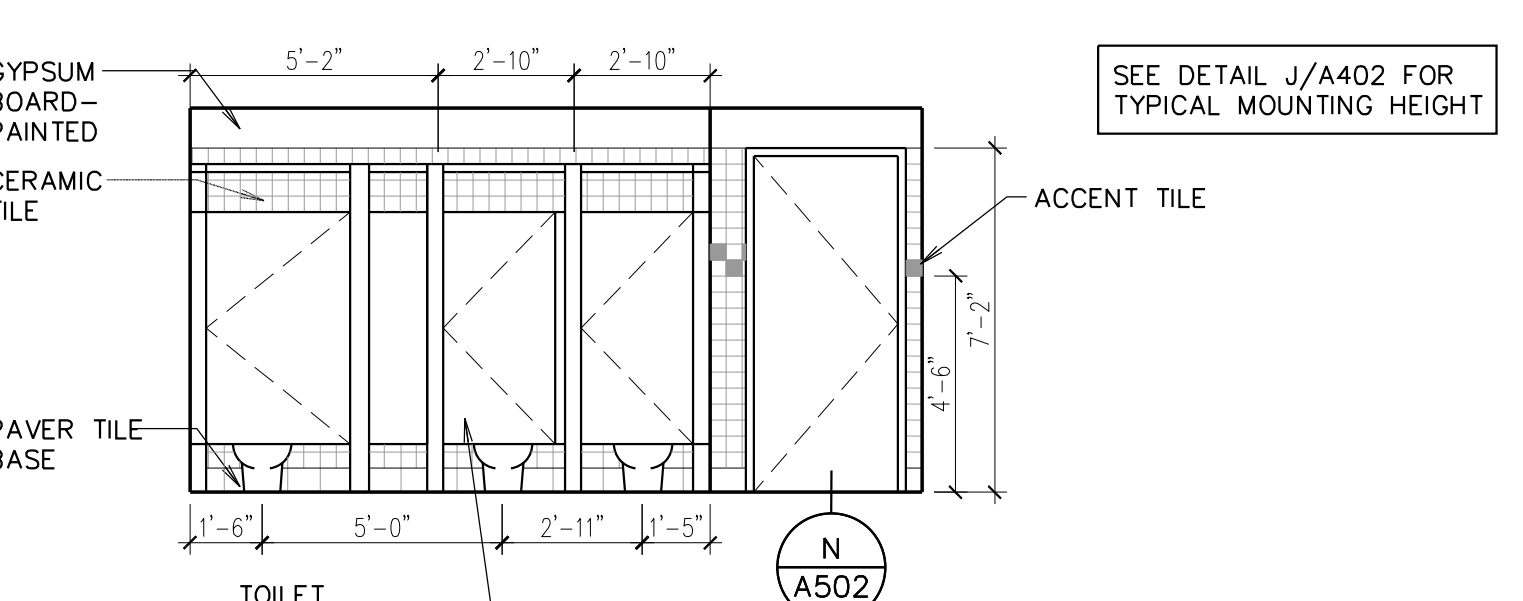
**H ELEVATION**  
1/4" = 1'-0"



**J ELEVATION**  
1/4" = 1'-0"

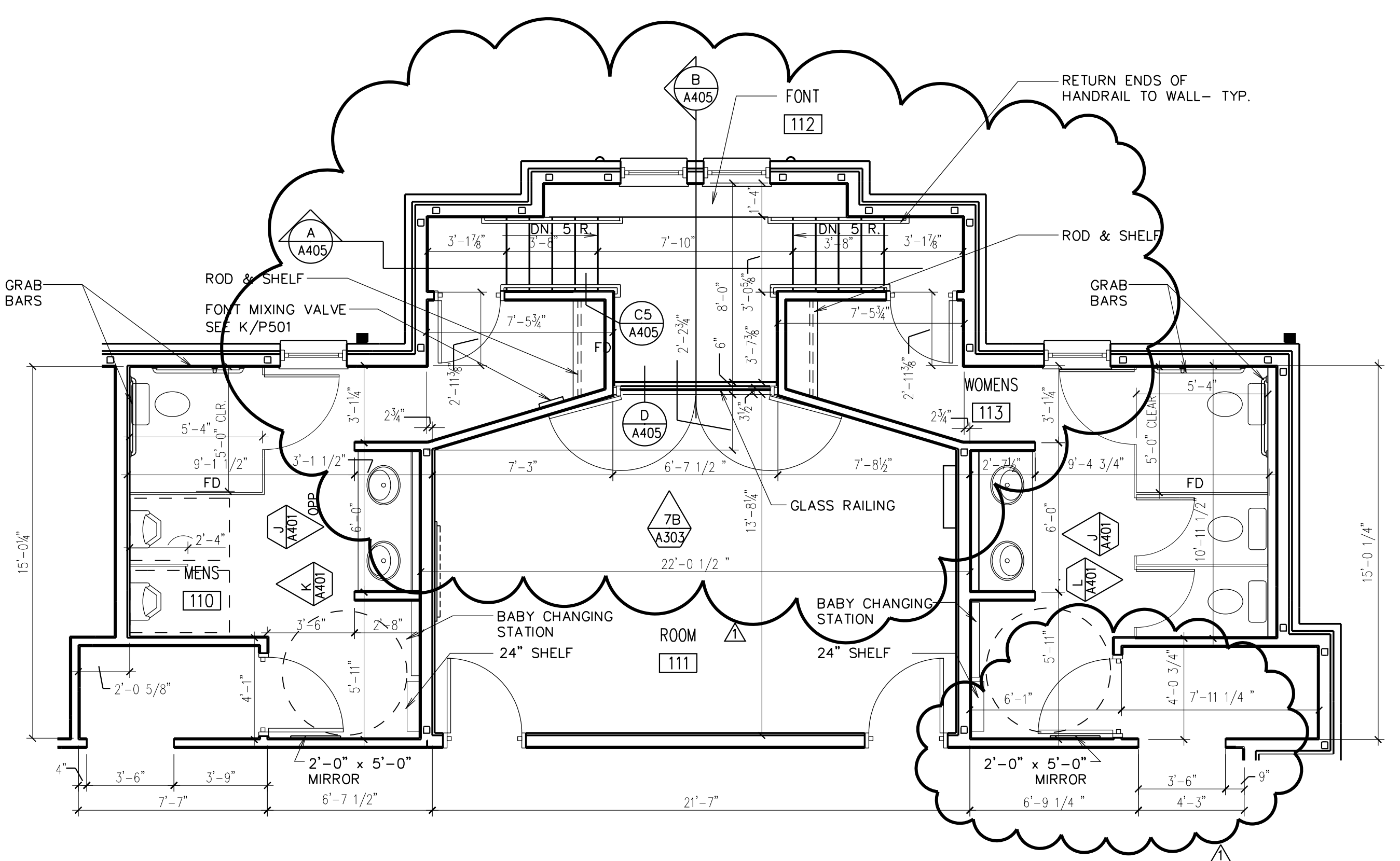


**K ELEVATION**  
1/4" = 1'-0"



**L ELEVATION**  
1/4" = 1'-0"

**2 ENLARGED SERVING AREA**  
1/4" = 1'-0"



**3 ENLARGED FONT AND RESTROOMS**  
1/4" = 1'-0"

Architect/Engineer:  
**AZAR WALS**  
ARCHITECTS  
American Institute of Architects AIA  
401 CHERRY STREET SUITE 700  
MACON, GEORGIA 31201 USA  
TEL: 478 755 7717  
FAX: 478 755 6192  
E-MAIL: info@azarwalsh.com

Stamp:  
STATE OF GEORGIA  
J. KEVIN WALSH  
REGISTRATION NO. 8883  
REGISTERED ARCHITECT

THOMASTON, GA BRANCH  
JONESBORO, GA STAKE  
HWY. 36 nr ROCK HILL SCHOOL ROAD  
THOMASTON, GA. 30286

Project for:  
THE CHURCH OF  
**JESUS CHRIST**  
OF LATTER-DAY SAINTS

NO.	DATE	REVISIONS	DESCRIPTION
03-23-10	VER. 3	REVISIONS	

Architect Project Number:  
0805  
Plan Series:  
FAY-170-02-[07]-02  
Project Number:  
500-0881-08020101

Sheet Title:  
**ENLARGED MATERIALS CENTER, SERVING AREA, FONT AND RESTROOMS**

Sheet:  
**A401**  
Of 33

Date: MAR. 16, 2009