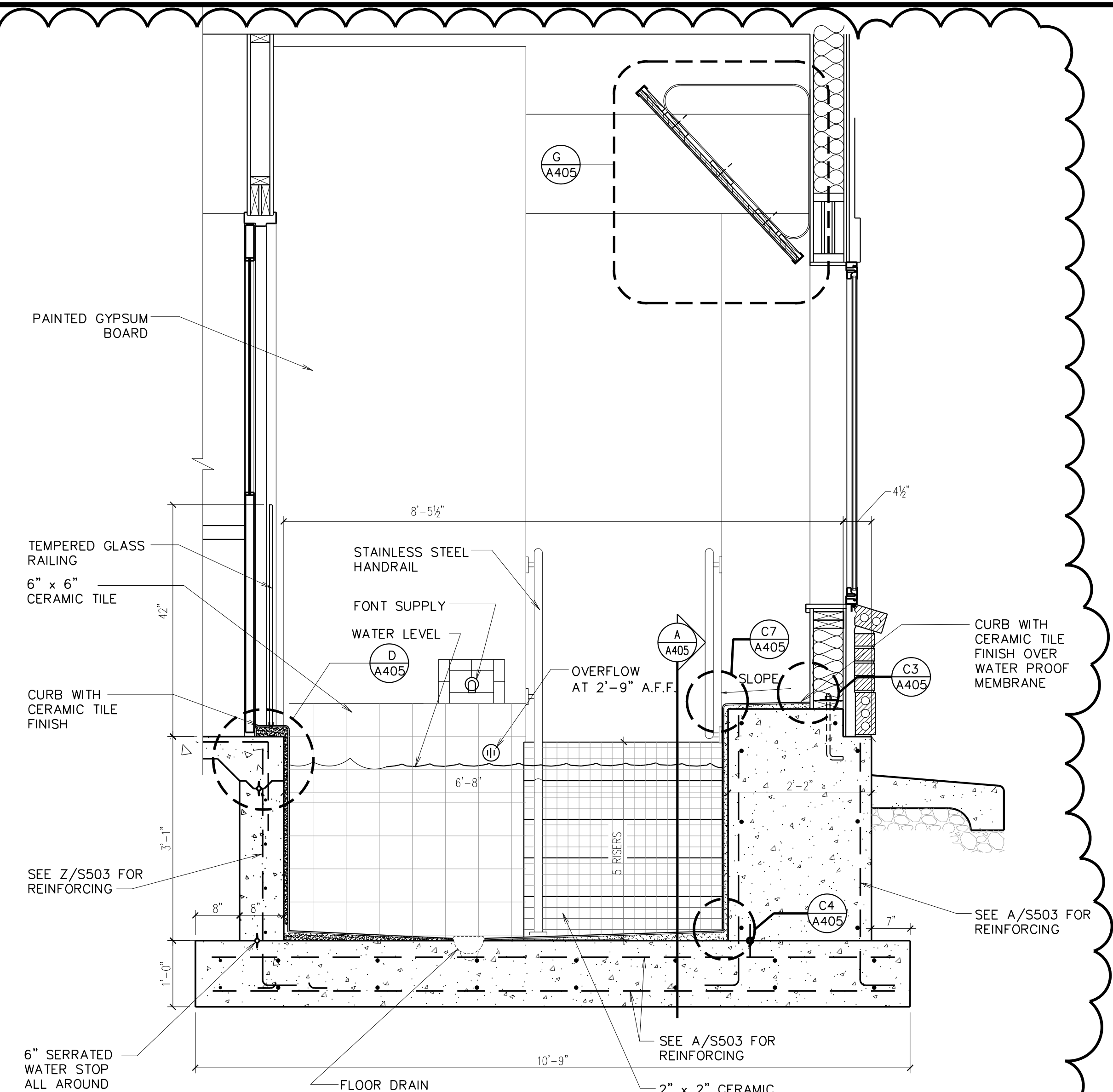
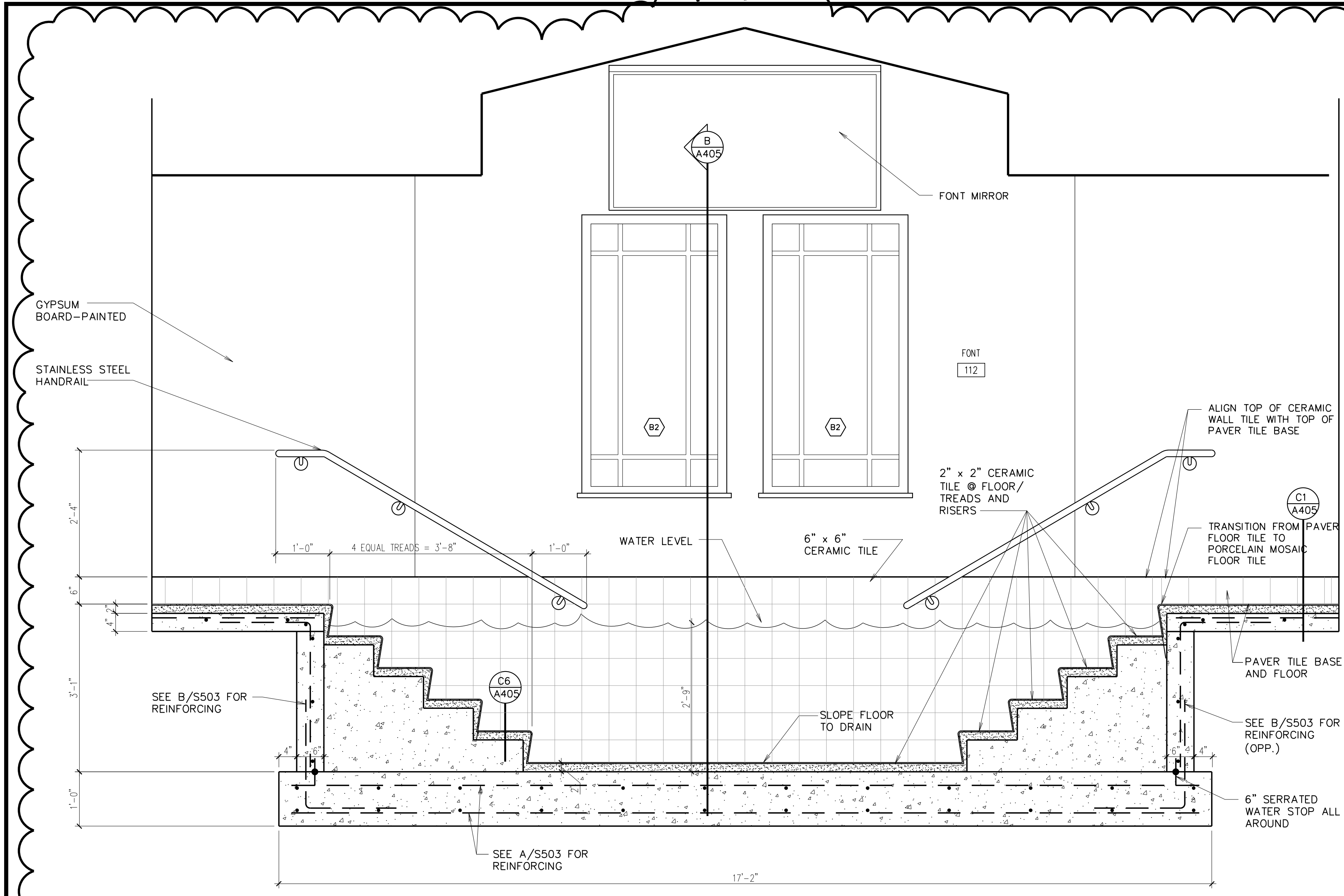
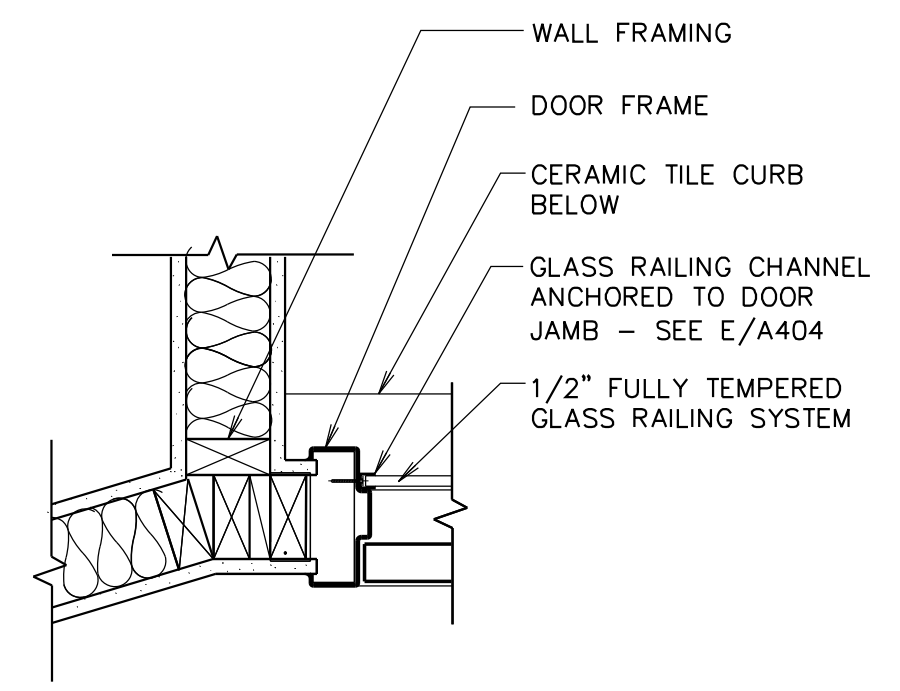


REV.	DATE	DESCRIPTION
03-23-10	VER. 3	REVISIONS

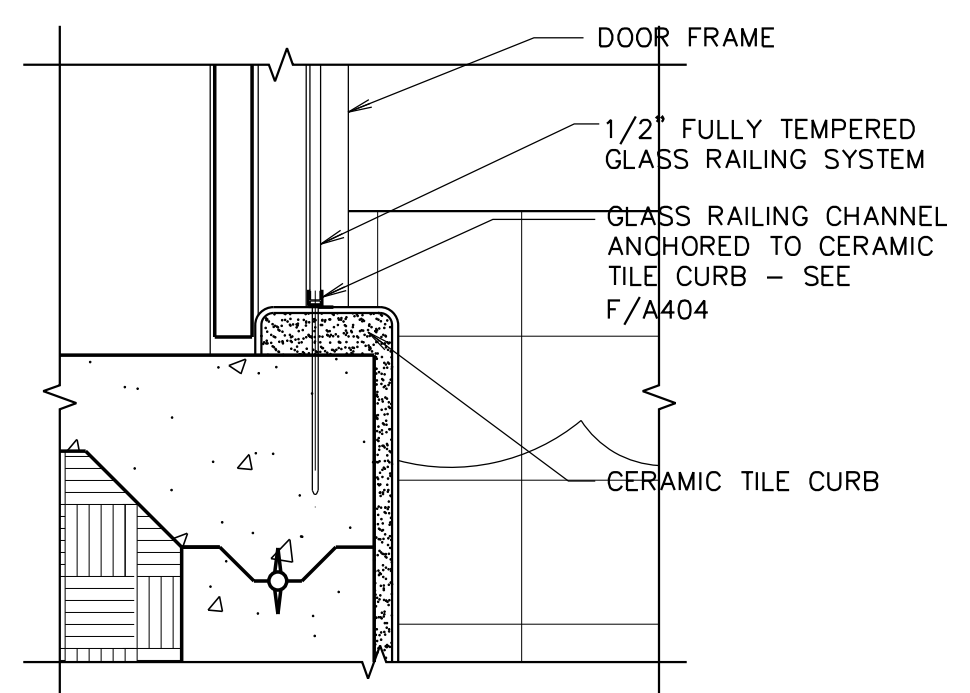


A SECTION
 3/4" = 1'-0"

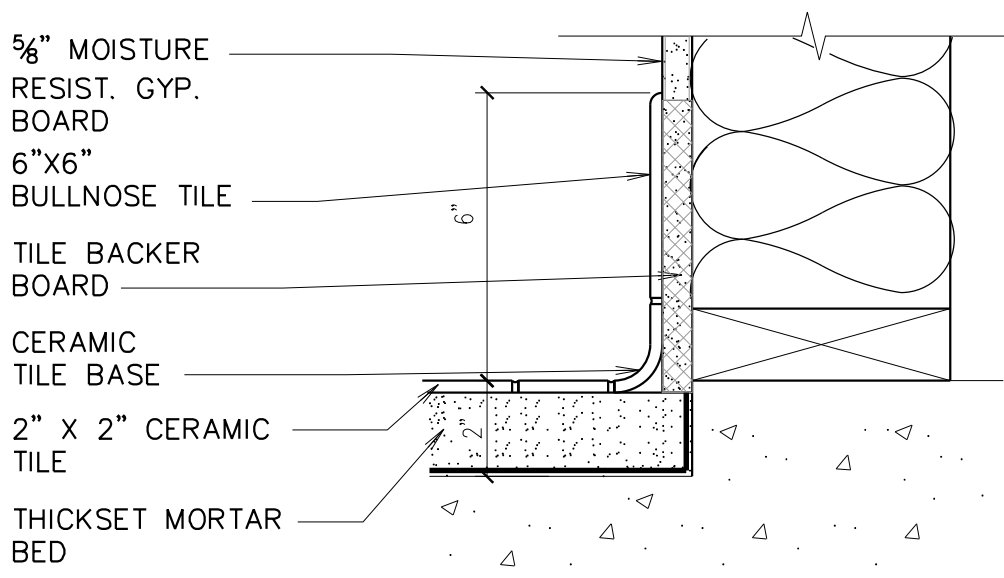
B SECTION
 3/4" = 1'-0"



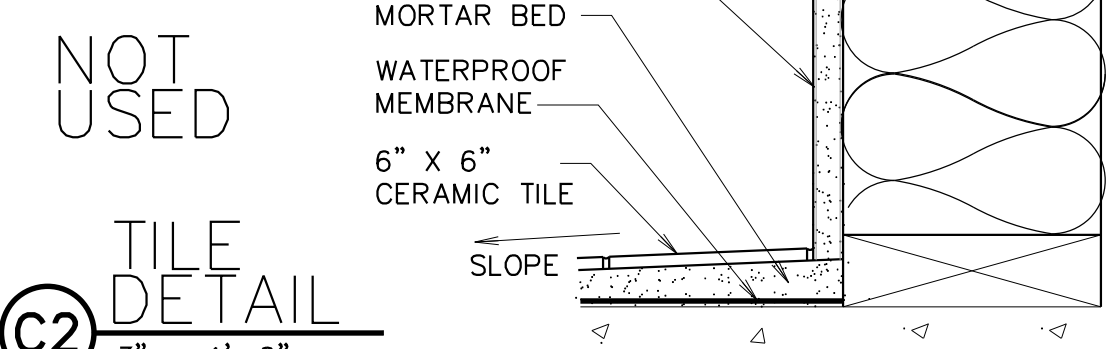
C JAMB
 1 1/2" = 1'-0"



D BASE
 1 1/2" = 1'-0"

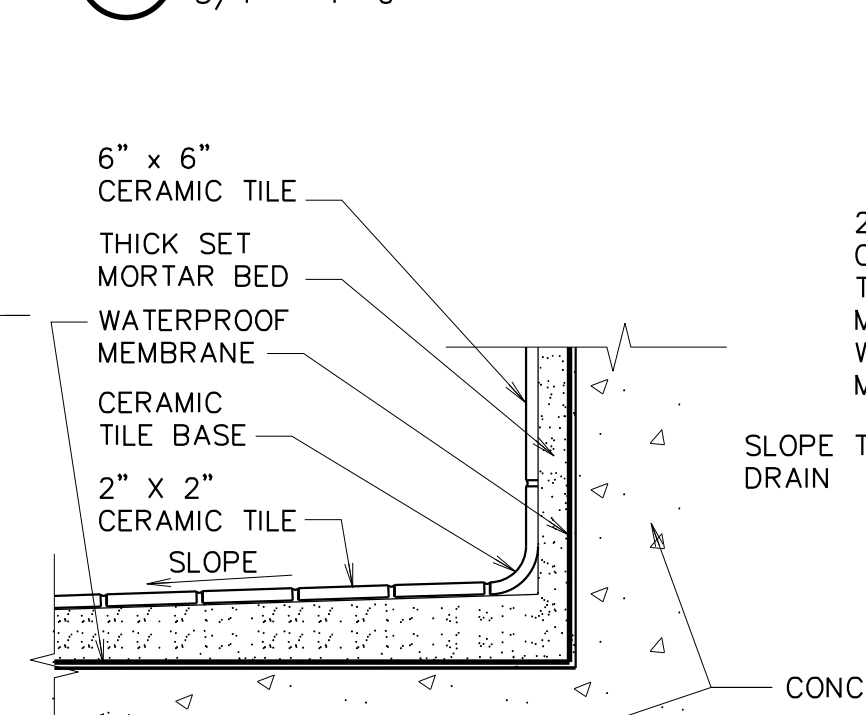


C1 TILE DETAIL
 3" = 1'-0"

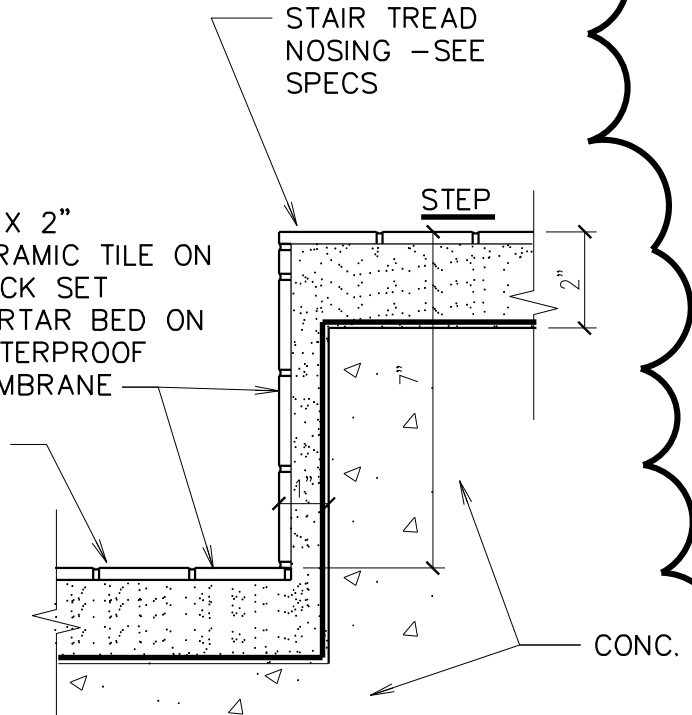


C2 TILE DETAIL
 3" = 1'-0"

NOT USED

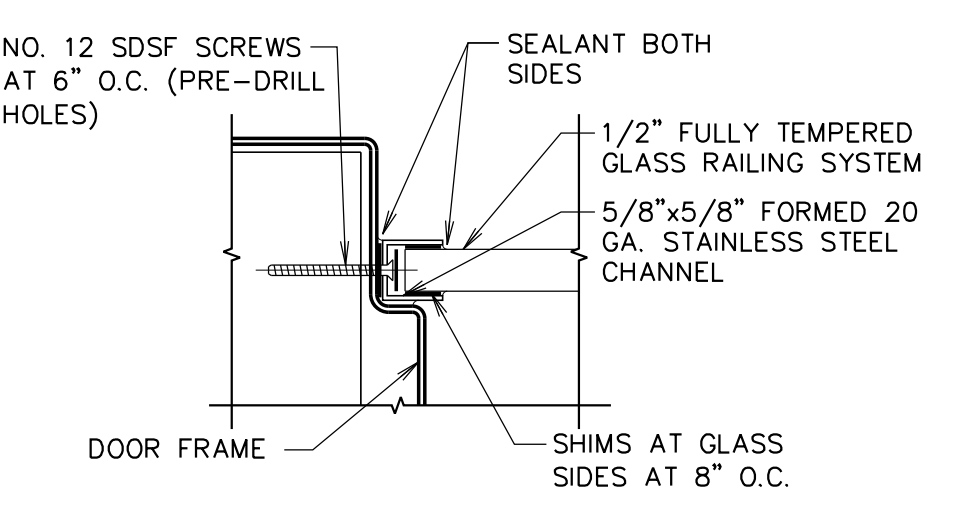


C3 TILE DETAIL
 3" = 1'-0"

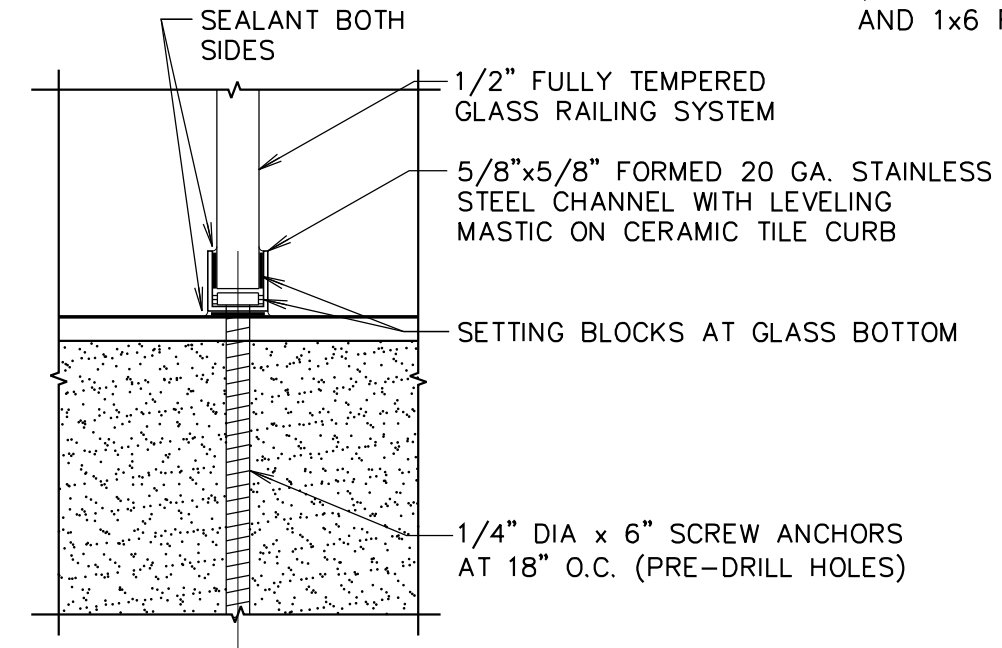


C4 TILE DETAIL
 3" = 1'-0"

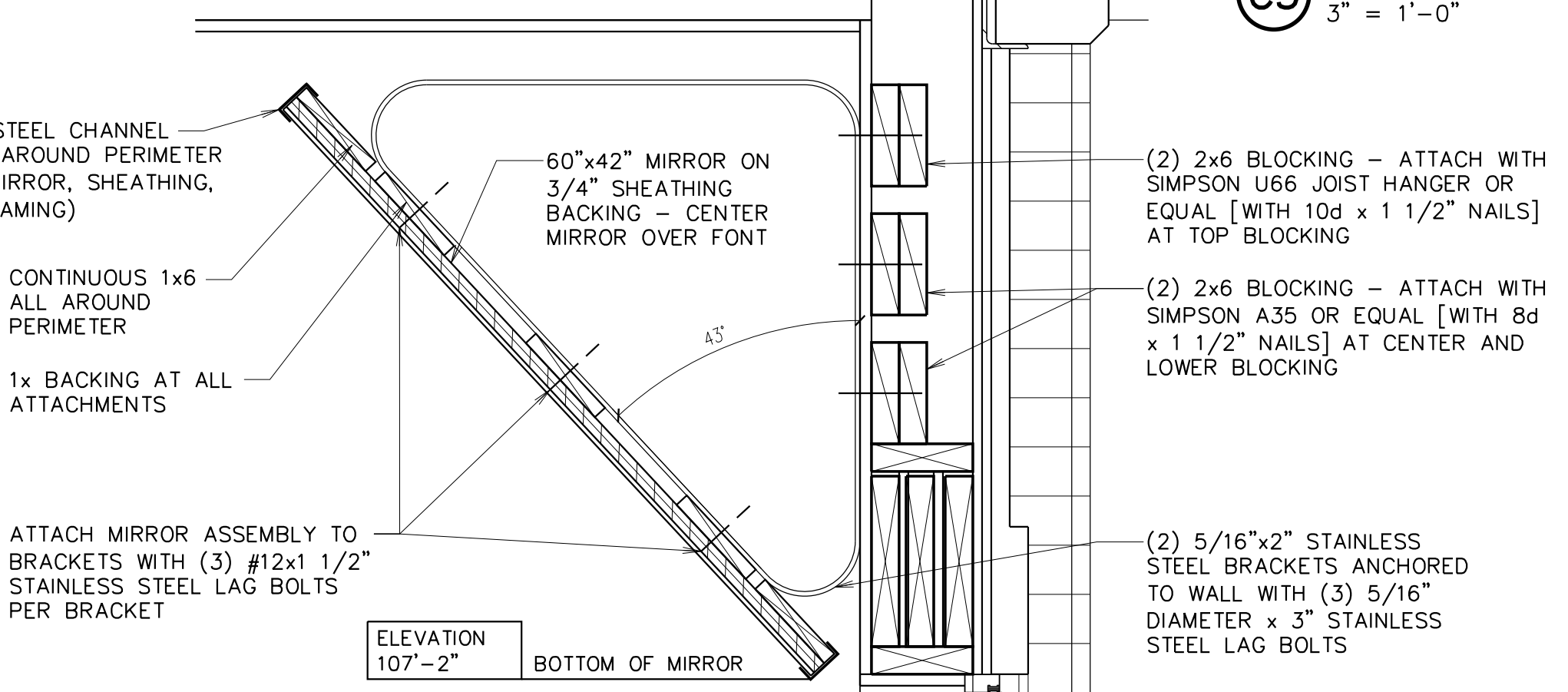
C5 TILE DETAIL
 3" = 1'-0"



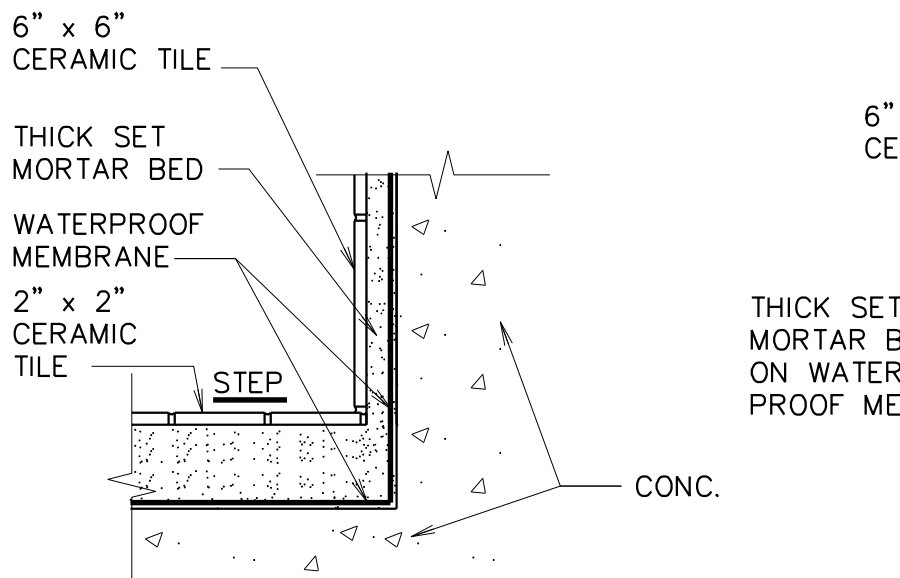
E JAMB
 6" = 1'-0"



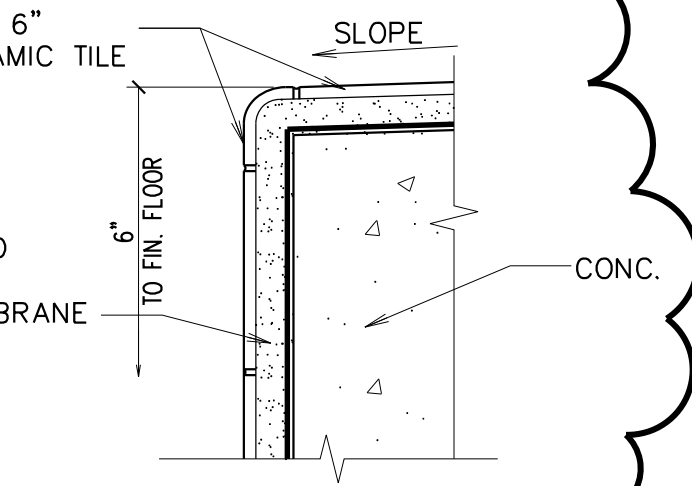
F BASE
 6" = 1'-0"



G SECTION
 1 1/2" = 1'-0"



C6 TILE DETAIL
 3" = 1'-0"



C7 TILE DETAIL
 3" = 1'-0"