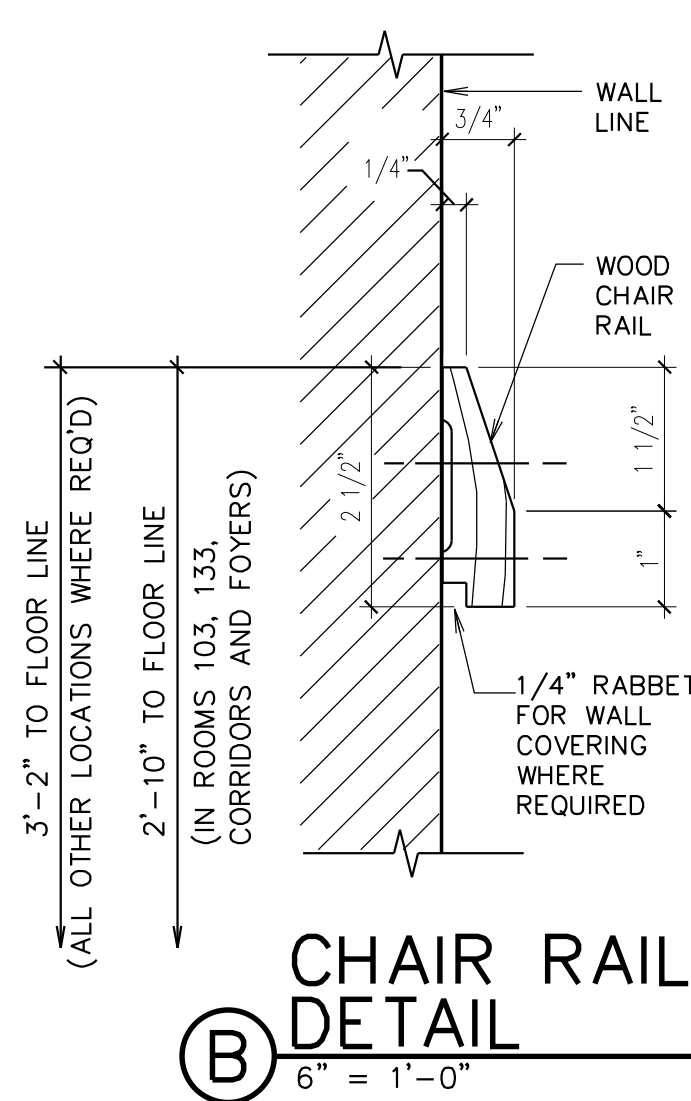
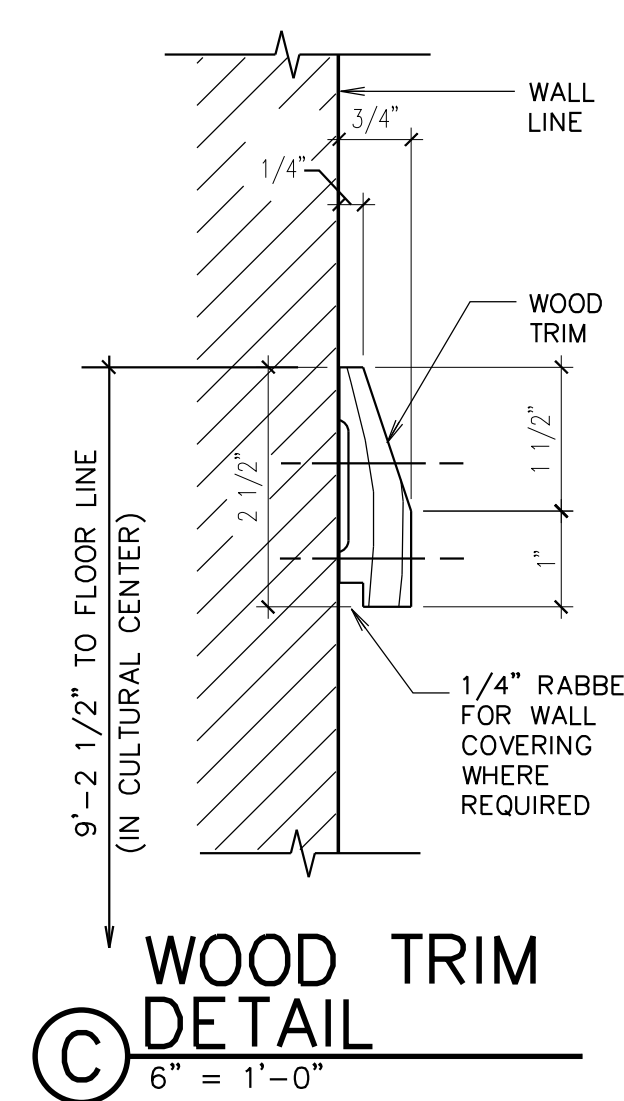


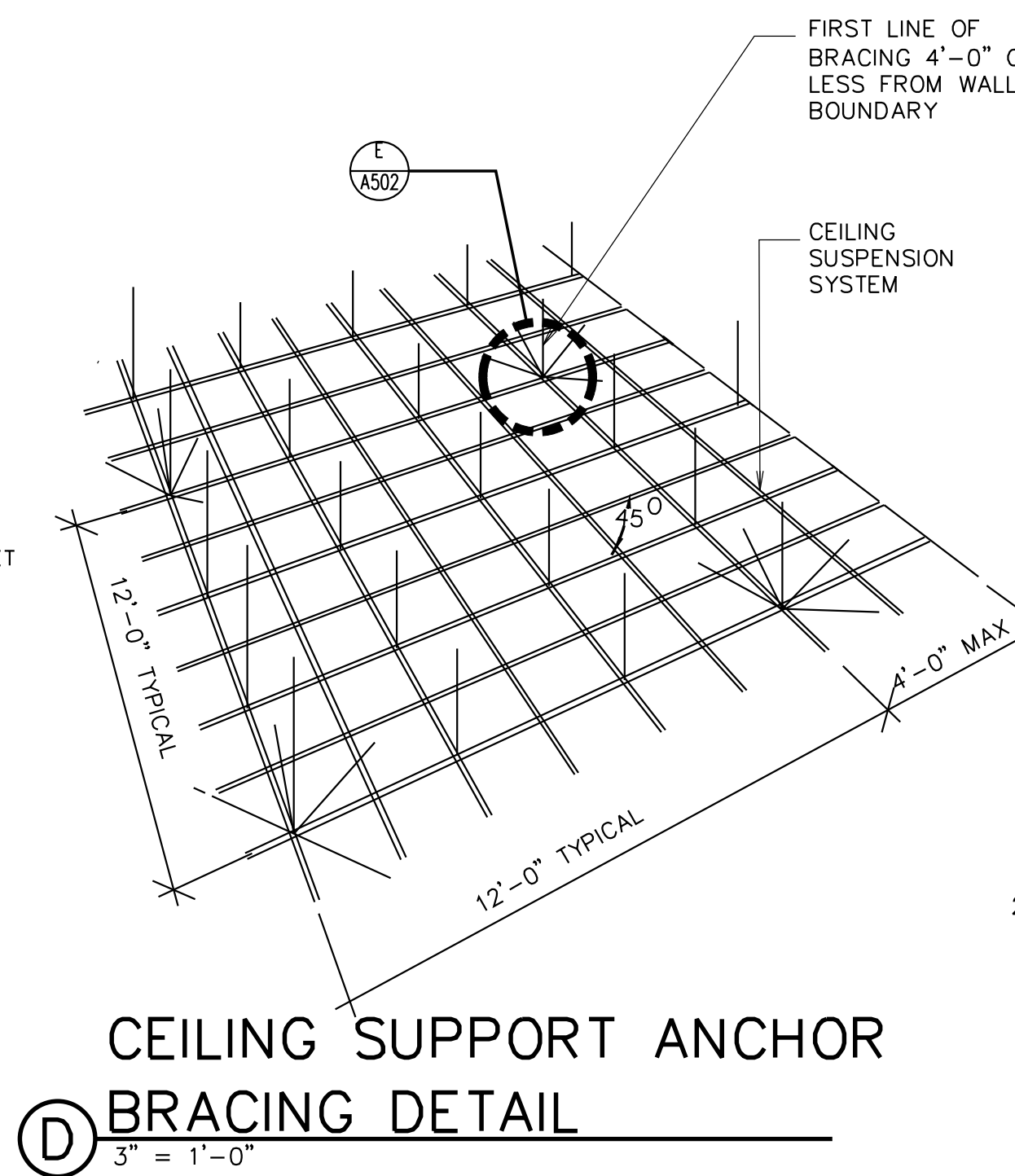
**A1 MECHANICAL ENCLOSURE FENCE DETAIL**  
3/4" = 1'-0"



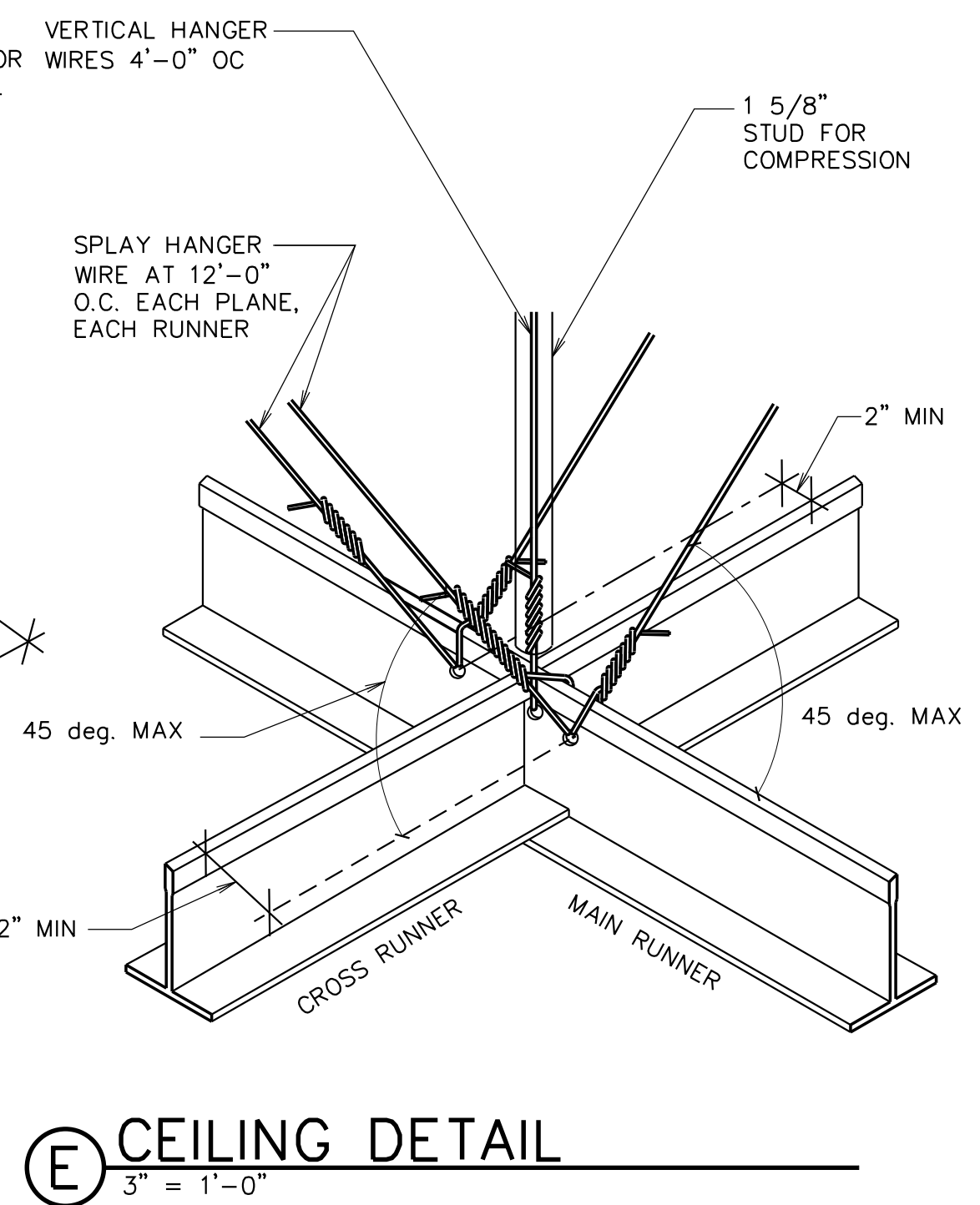
**B CHAIR RAIL DETAIL**  
6" = 1'-0"



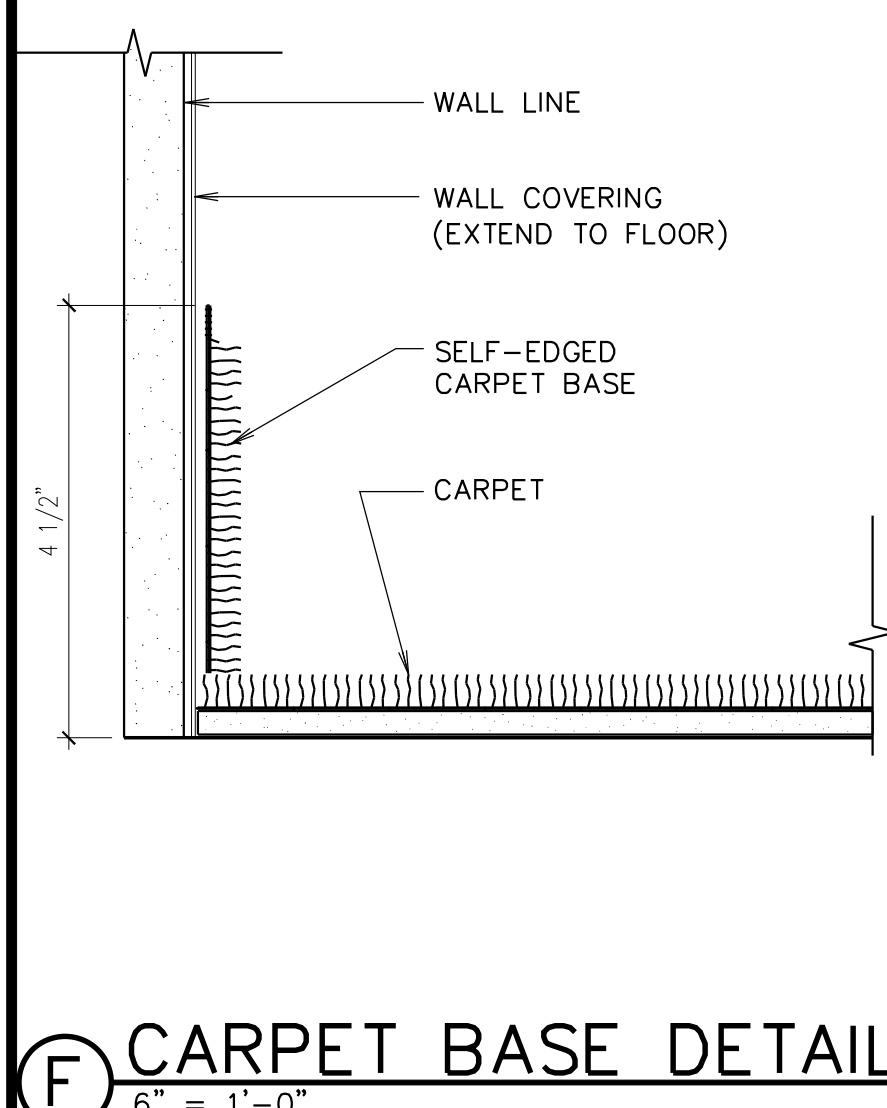
**C WOOD TRIM DETAIL**  
6" = 1'-0"



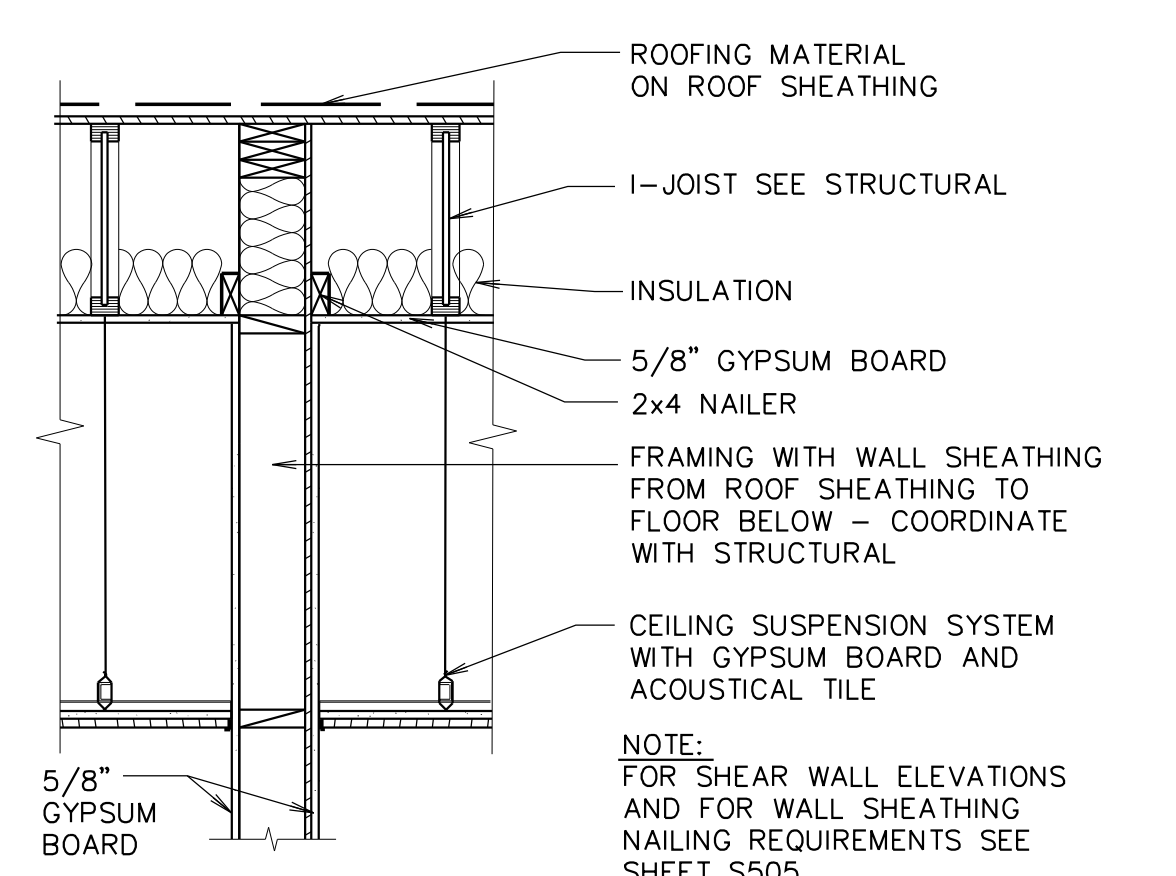
**D CEILING SUPPORT ANCHOR BRACING DETAIL**  
3" = 1'-0"



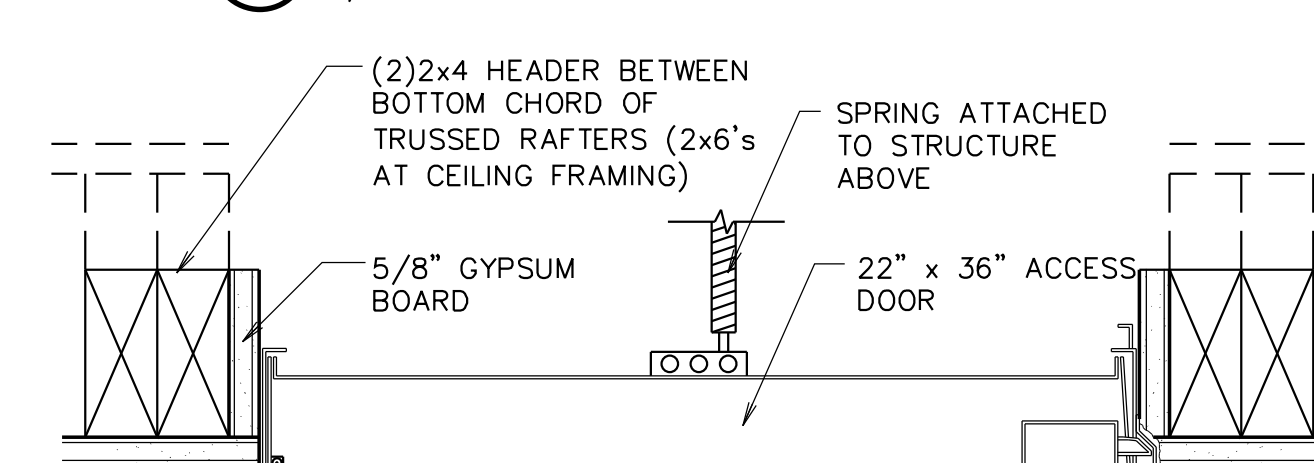
**E CEILING DETAIL**  
3" = 1'-0"



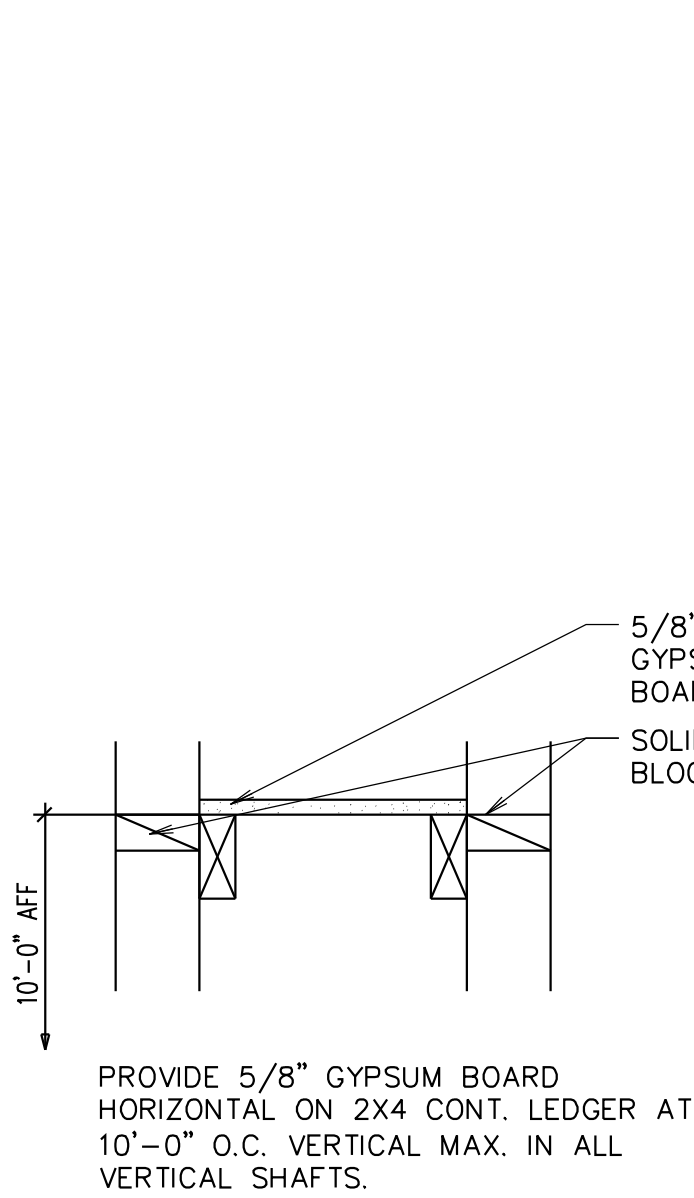
**F CARPET BASE DETAIL**  
6" = 1'-0"



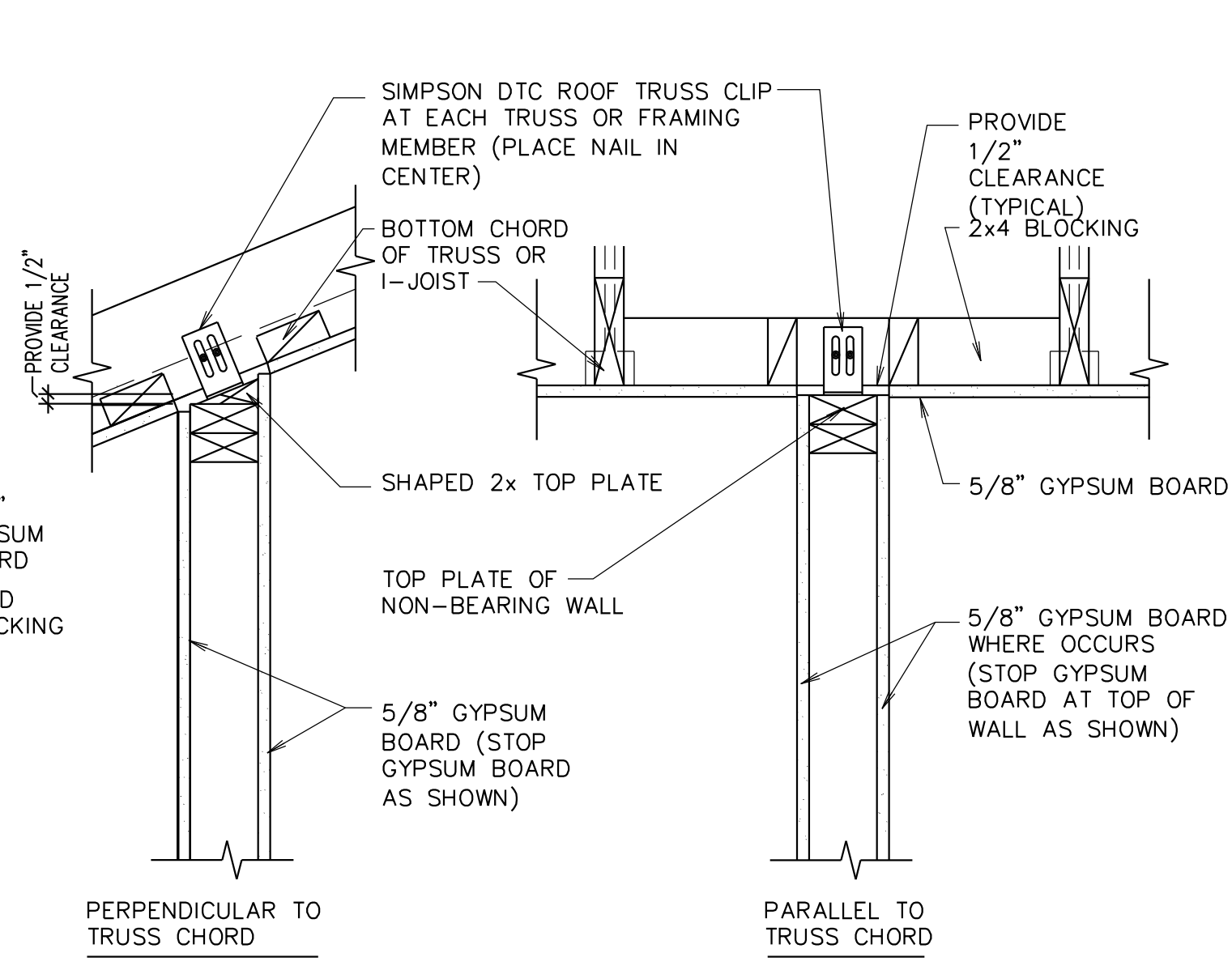
**G SHEAR WALL SECTION**  
3/4" = 1'-0"



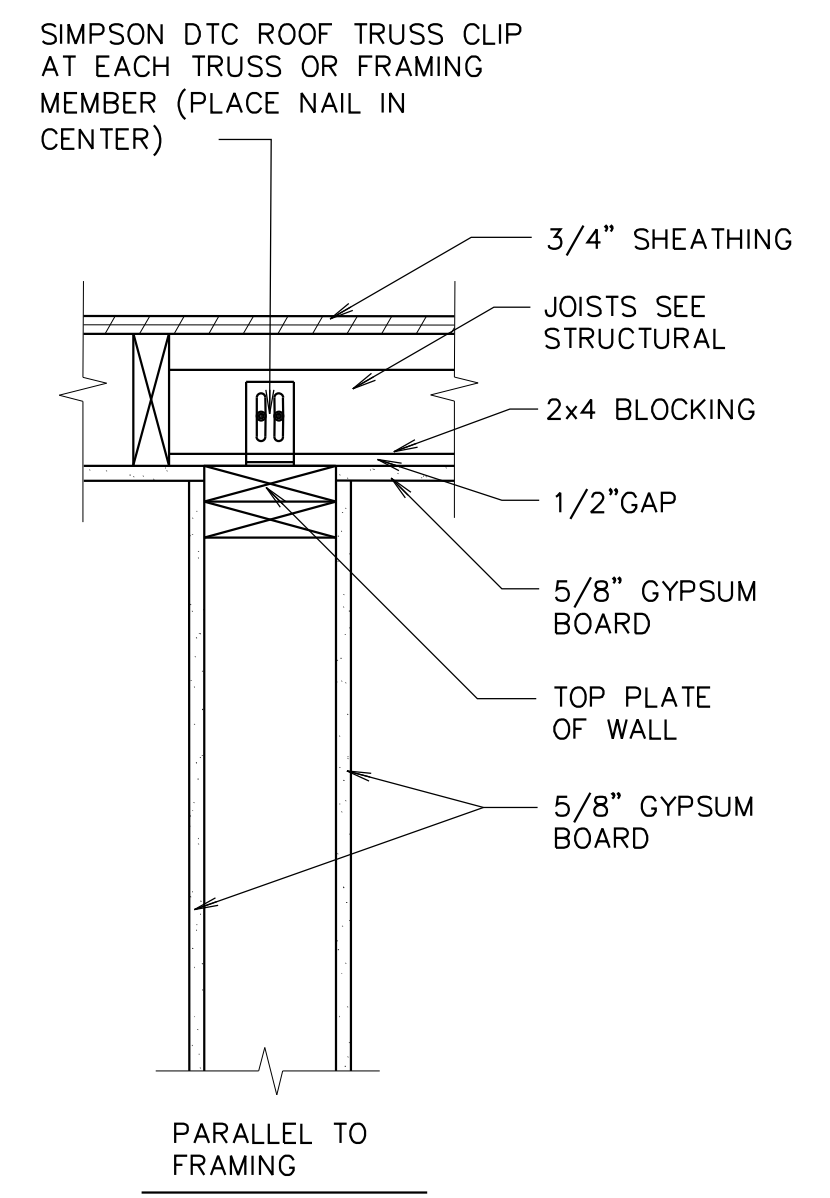
**H CEILING ACCESS DETAIL**  
3" = 1'-0"



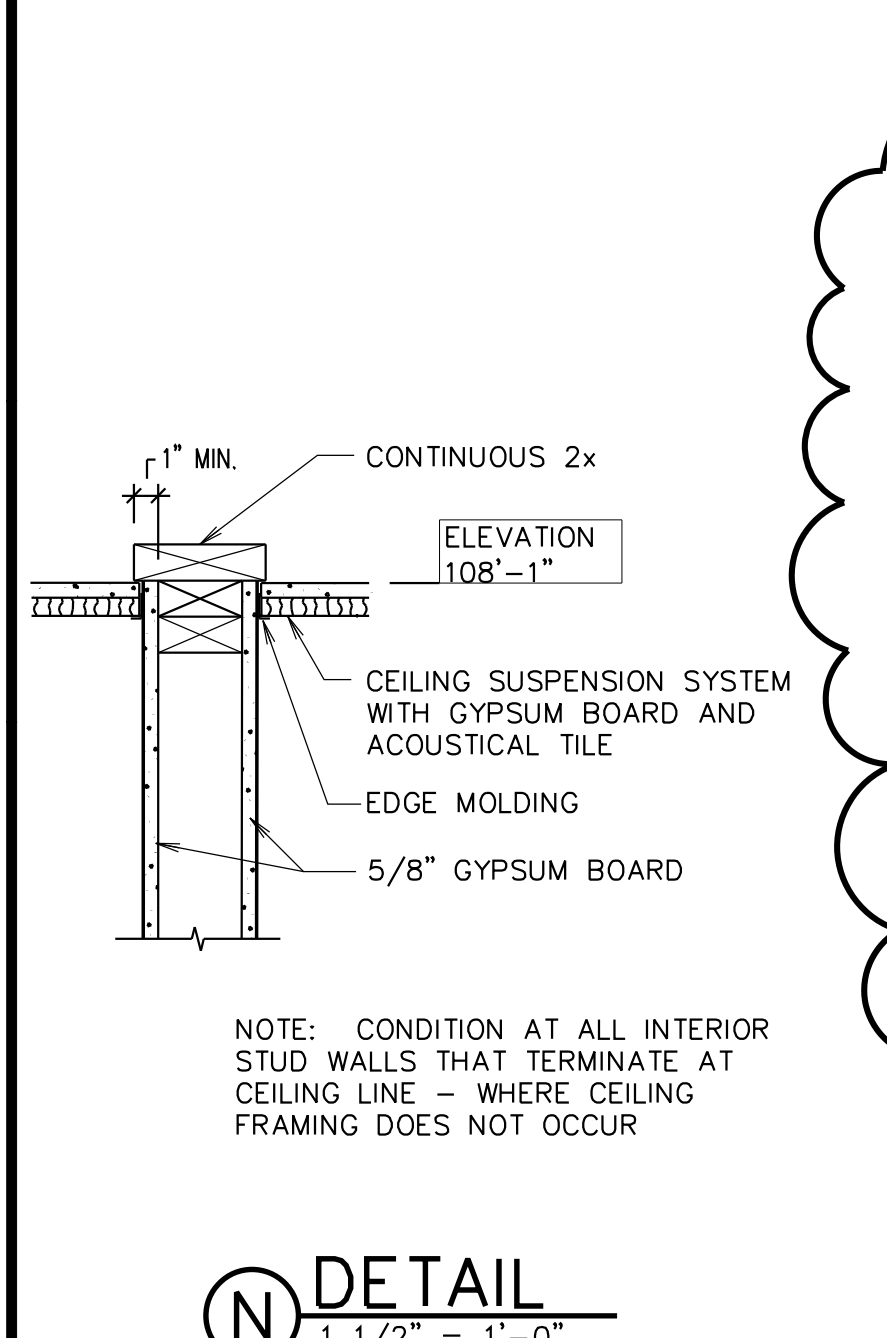
**K DETAIL**  
1 1/2" = 1'-0"



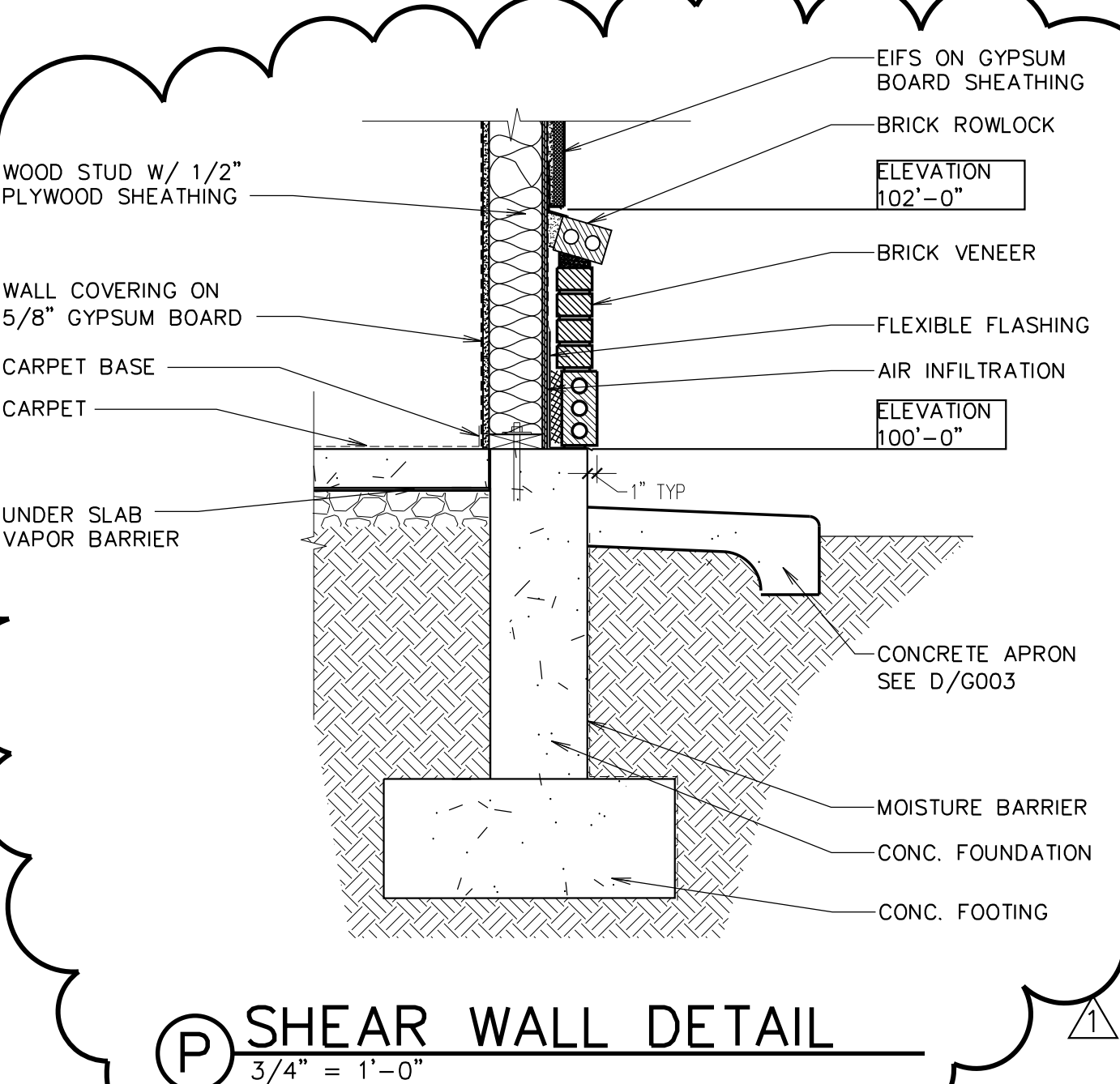
**L DETAIL**  
1 1/2" = 1'-0"



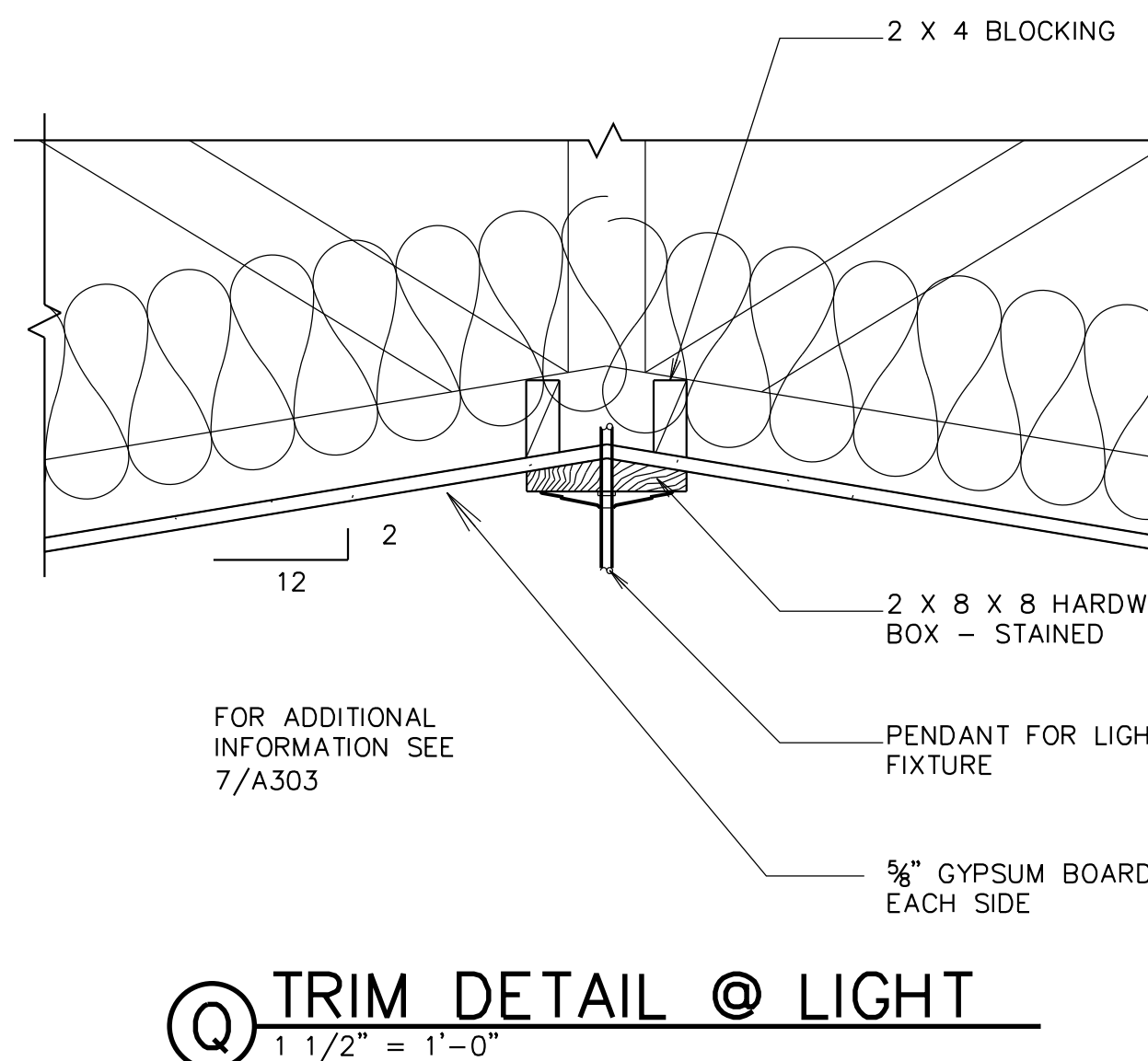
**M DETAIL**  
1 1/2" = 1'-0"



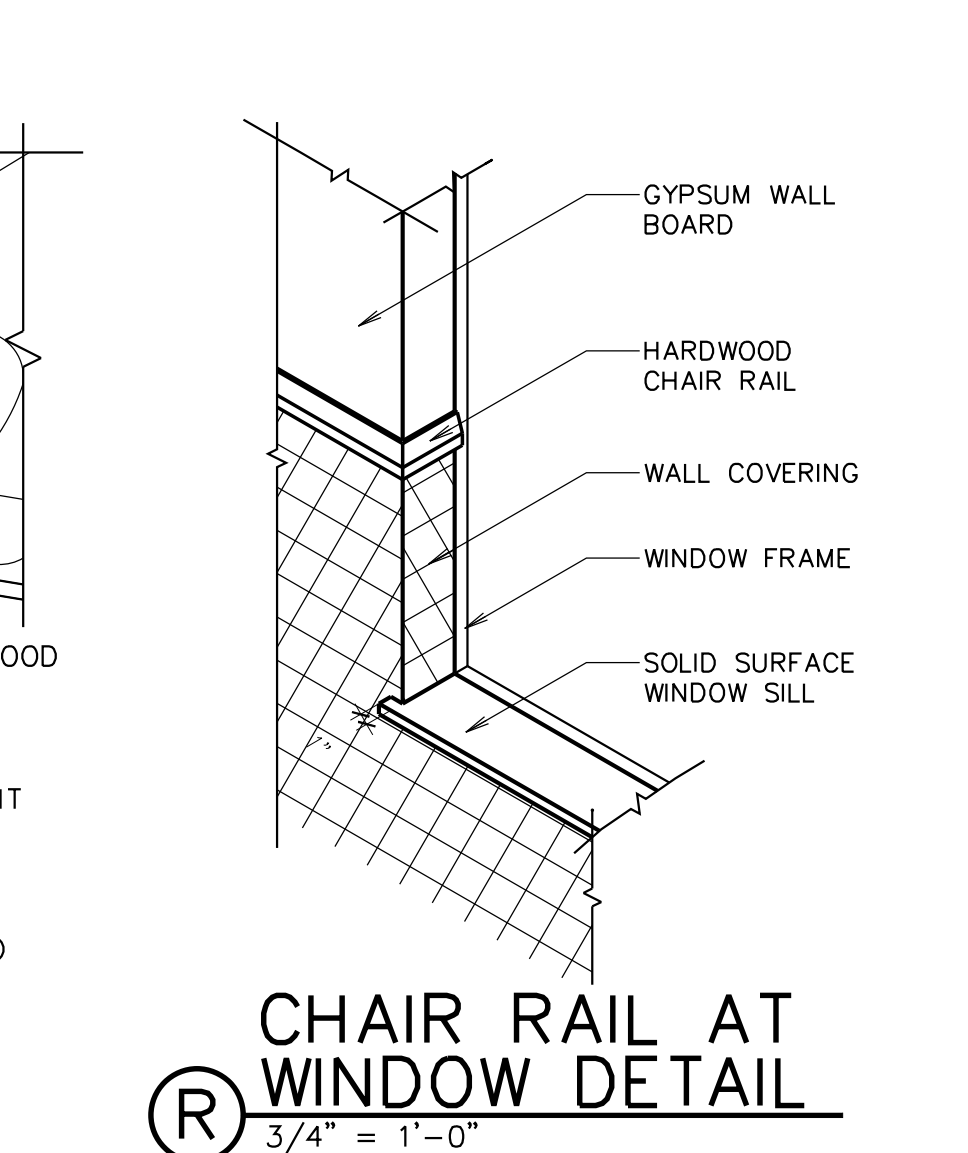
**N DETAIL**  
1 1/2" = 1'-0"



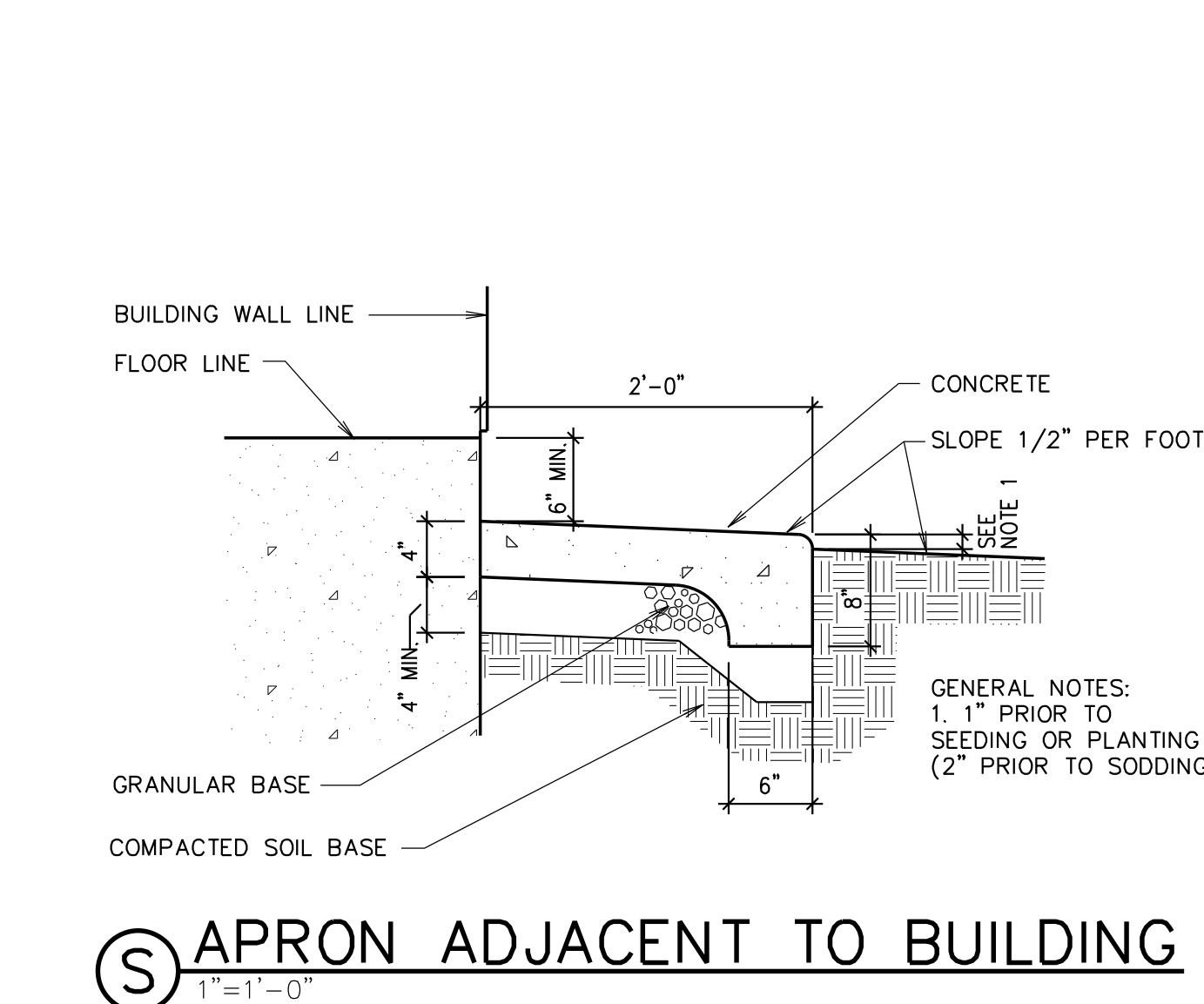
**P SHEAR WALL DETAIL**  
3/4" = 1'-0"



**Q TRIM DETAIL @ LIGHT**  
1 1/2" = 1'-0"



**R CHAIR RAIL AT WINDOW DETAIL**  
3/4" = 1'-0"



**S APRON ADJACENT TO BUILDING**  
1" = 1'-0"

Architect/Engineer:  
**AZAR • WALSH**  
 ARCHITECTS  
 America Institute Of Architects AIA  
 \* 401 CHERRY STREET, SUITE 700  
 MARIETTA, GEORGIA 31201 \* USA \*  
 \* TEL: 478 750 7111 \*  
 \* FAX: 478 750 6192 \*  
 \* E MAIL: mwalsh@azarwalsh.com

Stamp:  
 STATE OF GEORGIA  
 J. KEVIN WALSH  
 CERTIFICATE NO. 8883  
 REGISTERED ARCHITECT

THOMASTON, GA BRANCH  
 JONESBORO, GA STAKE  
 HWY. 36 nr ROCK HILL SCHOOL ROAD  
 THOMASTON, GA. 30286

Project for:  
 THE CHURCH OF  
**JESUS CHRIST**  
 OF LATTER-DAY SAINTS

REV.	DESCRIPTION	DATE
03-23-10	VER. 3 REVISIONS	

Architect Project Number:  
0805  
 Plan Series:  
FAY-170-02-[07]-02  
 Project Number:  
500-081-08020101

Sheet Title:  
**ARCHITECTURAL  
 DETAILS**

Sheet:  
**A501**  
 Of 33

Date: MAR. 16, 2009