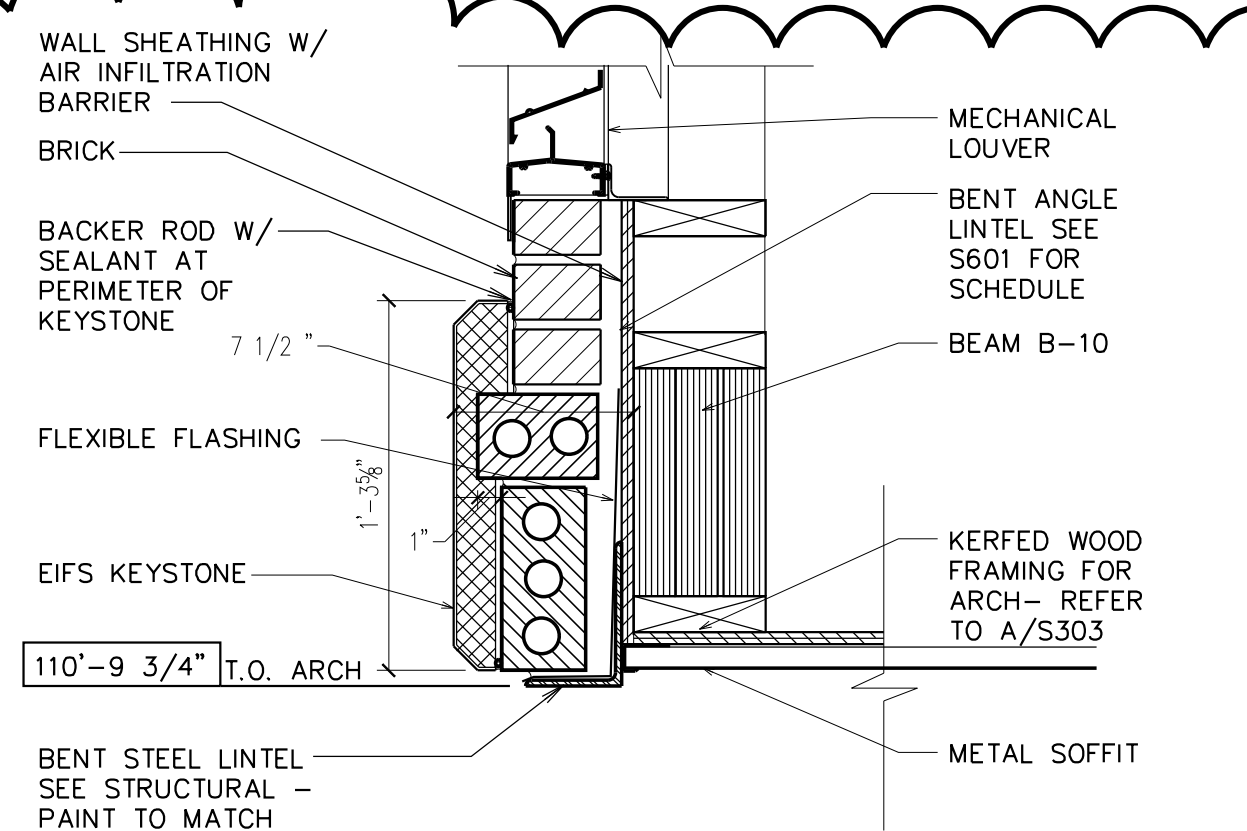
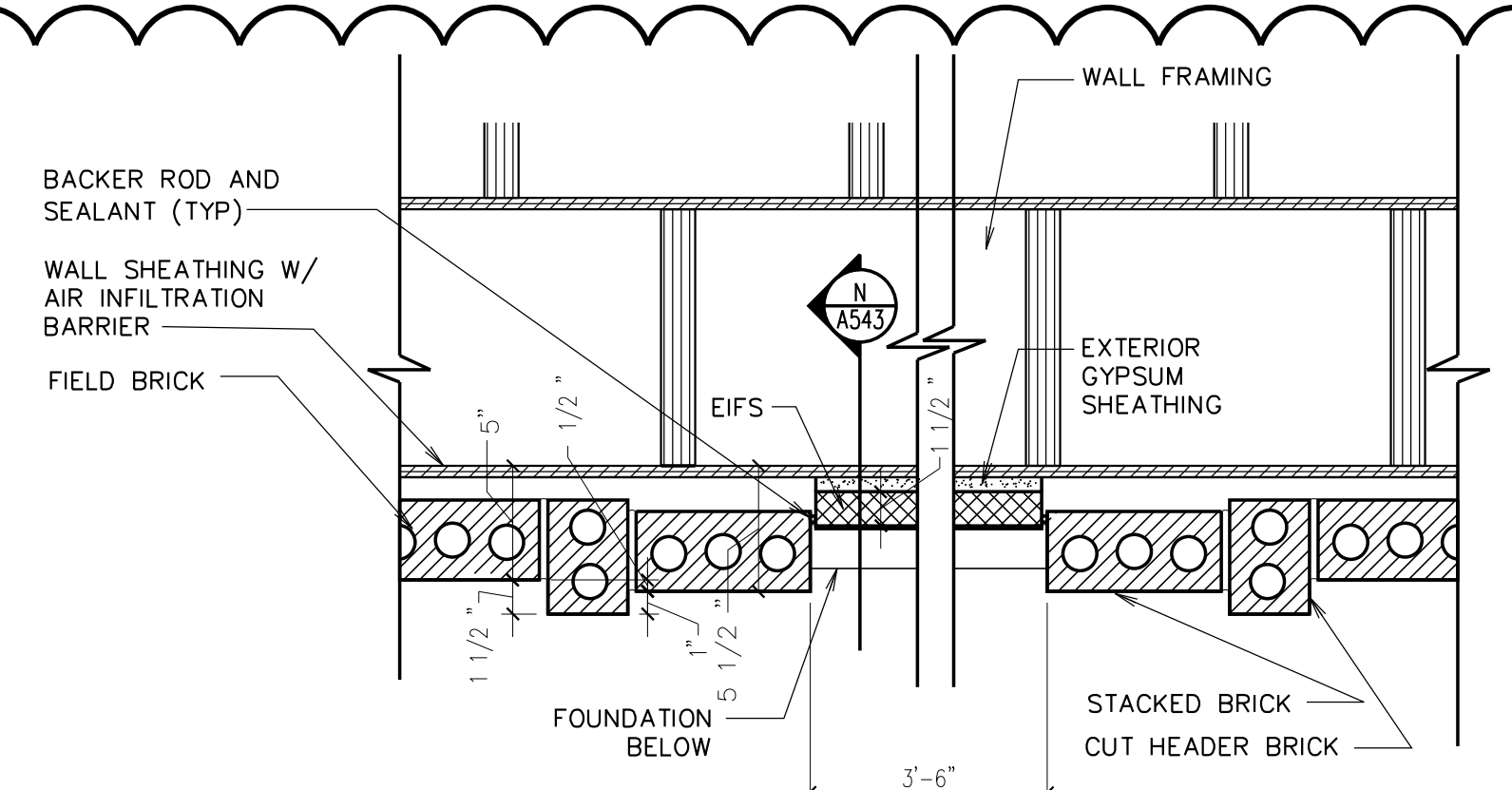


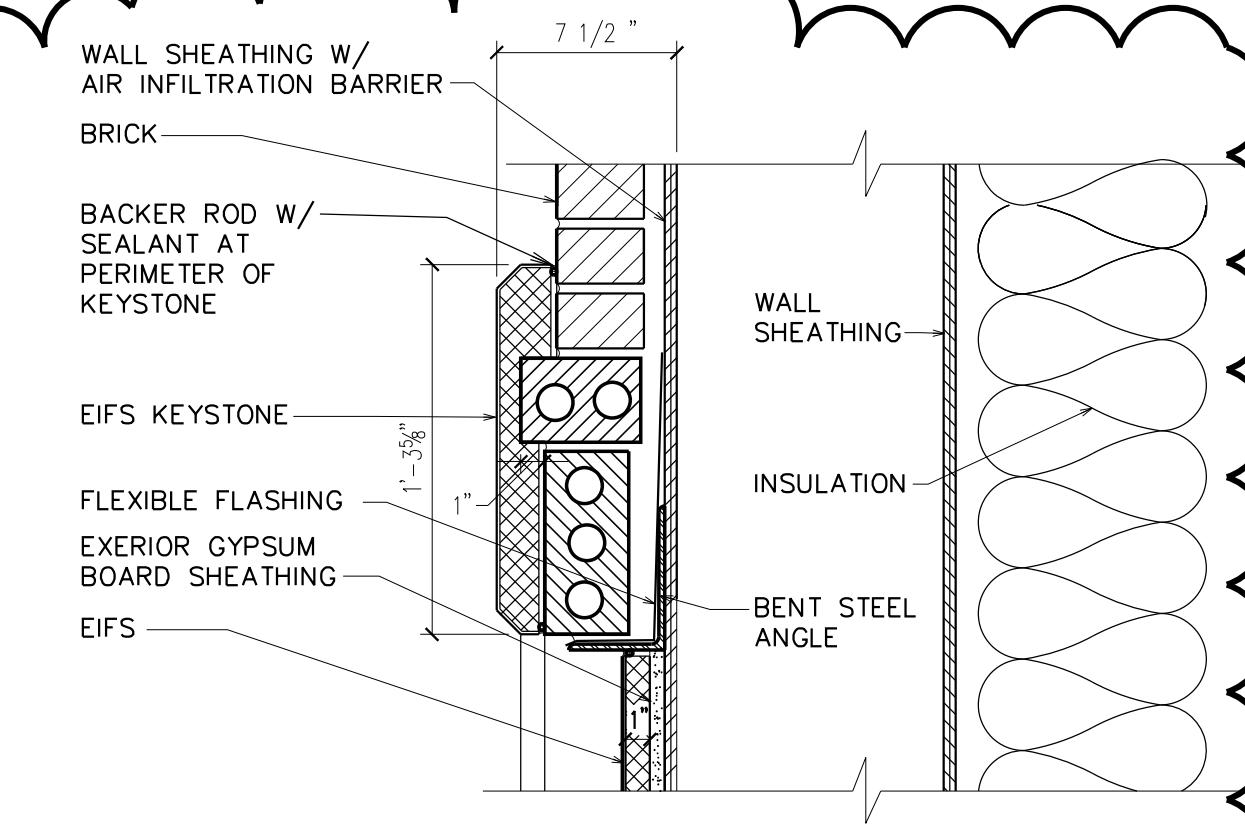
**A ARCH JAMB DETAIL**  
1 1/2" = 1'-0"



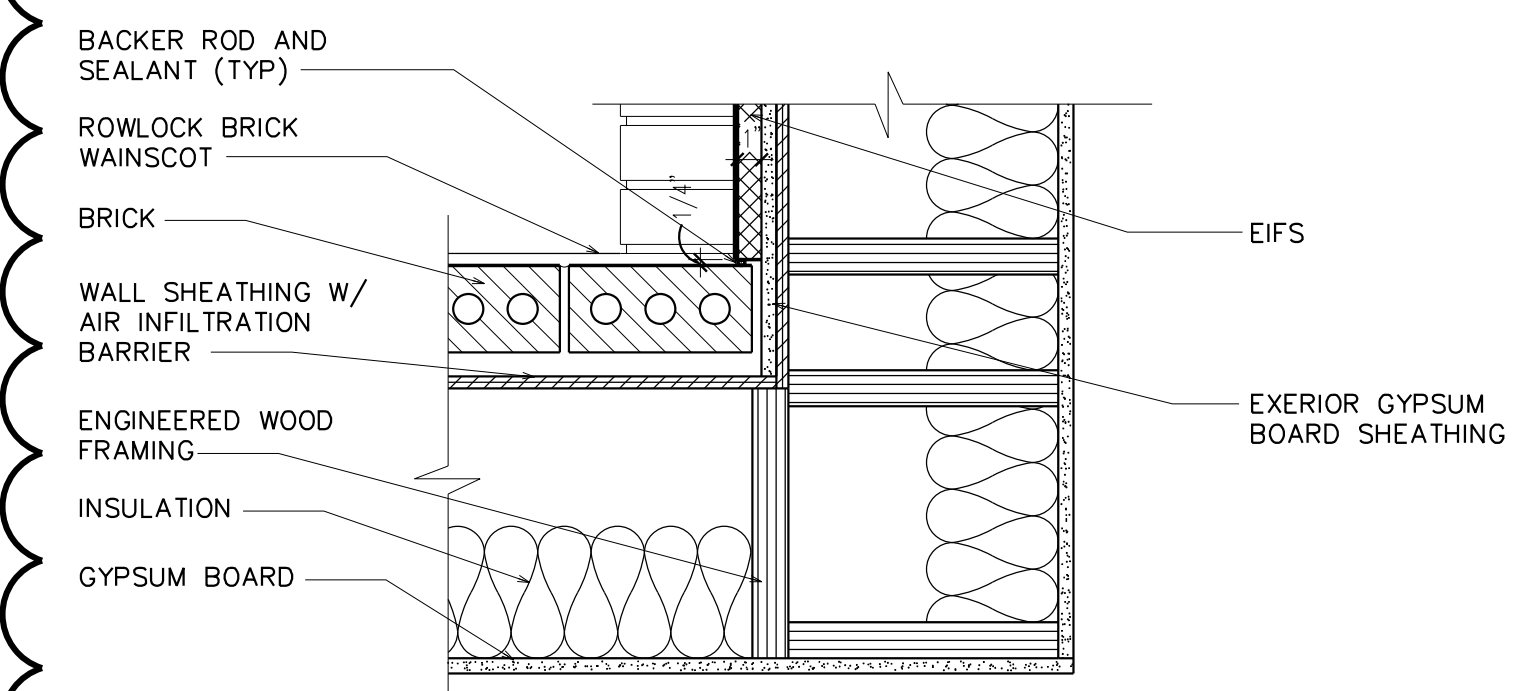
**B ARCH HEAD DETAIL**  
1 1/2" = 1'-0"



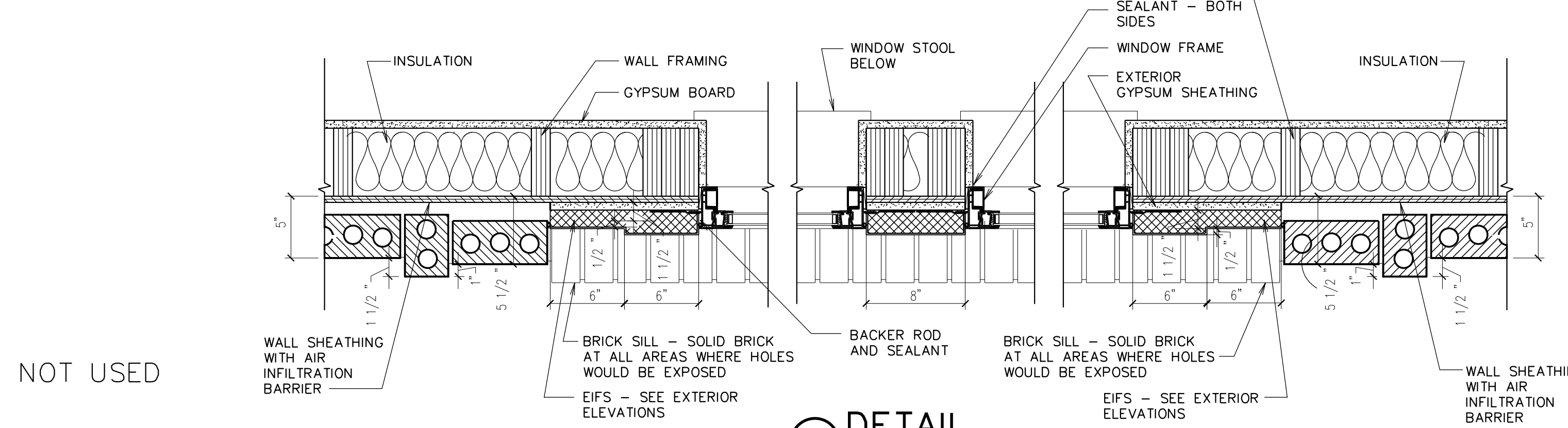
**C DETAIL**  
1 1/2" = 1'-0"



**D DETAIL**  
1 1/2" = 1'-0"

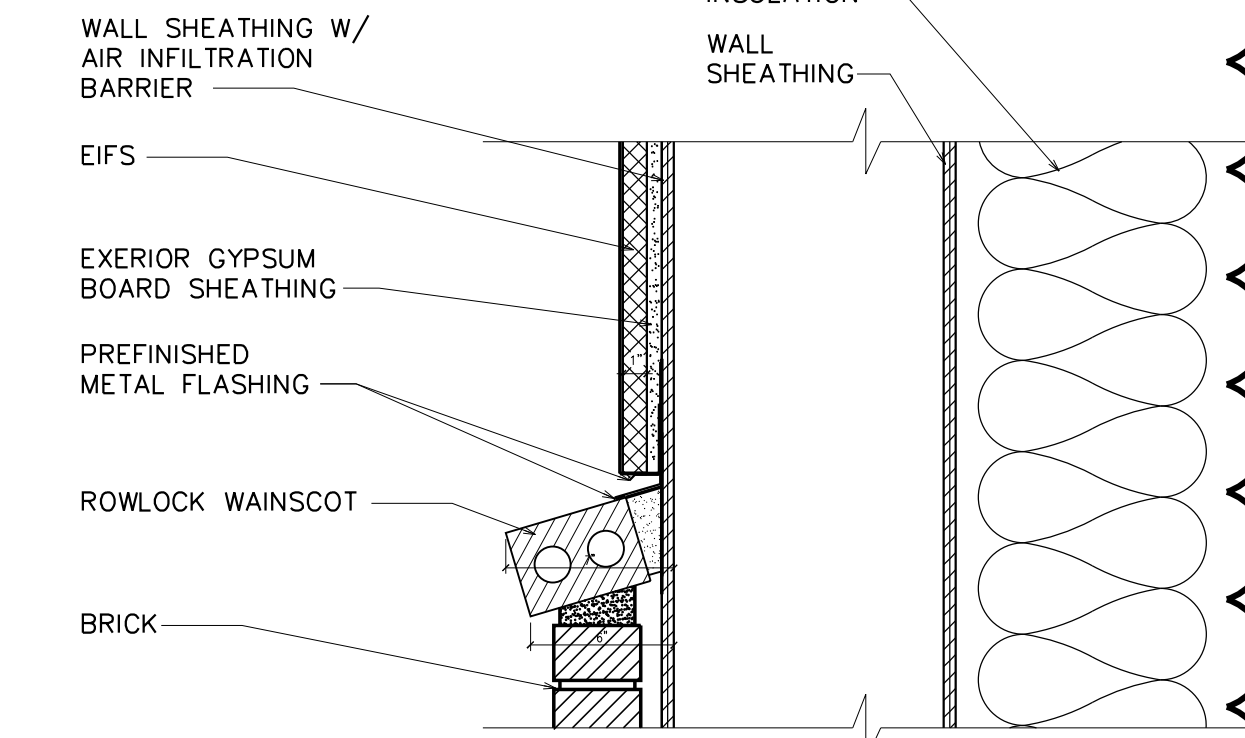


**E DETAIL**  
1 1/2" = 1'-0"

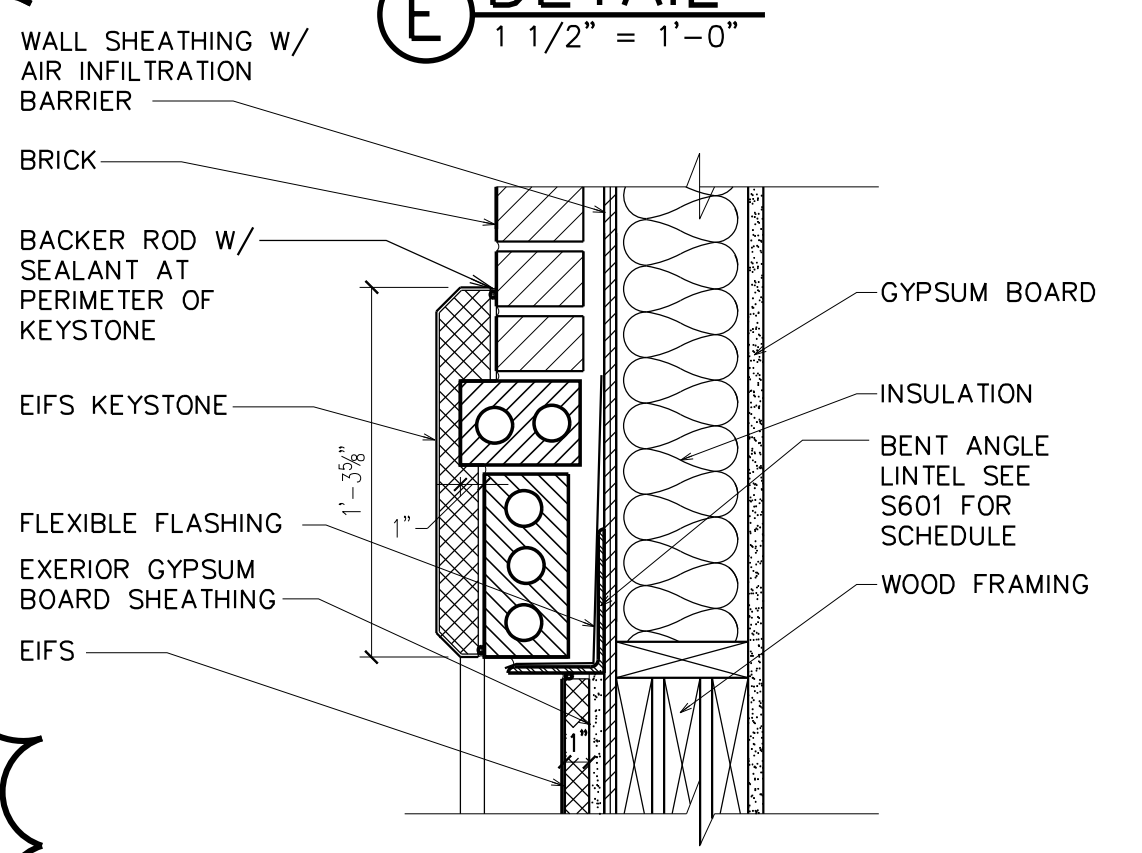


**F DETAIL**  
1 1/2" = 1'-0"

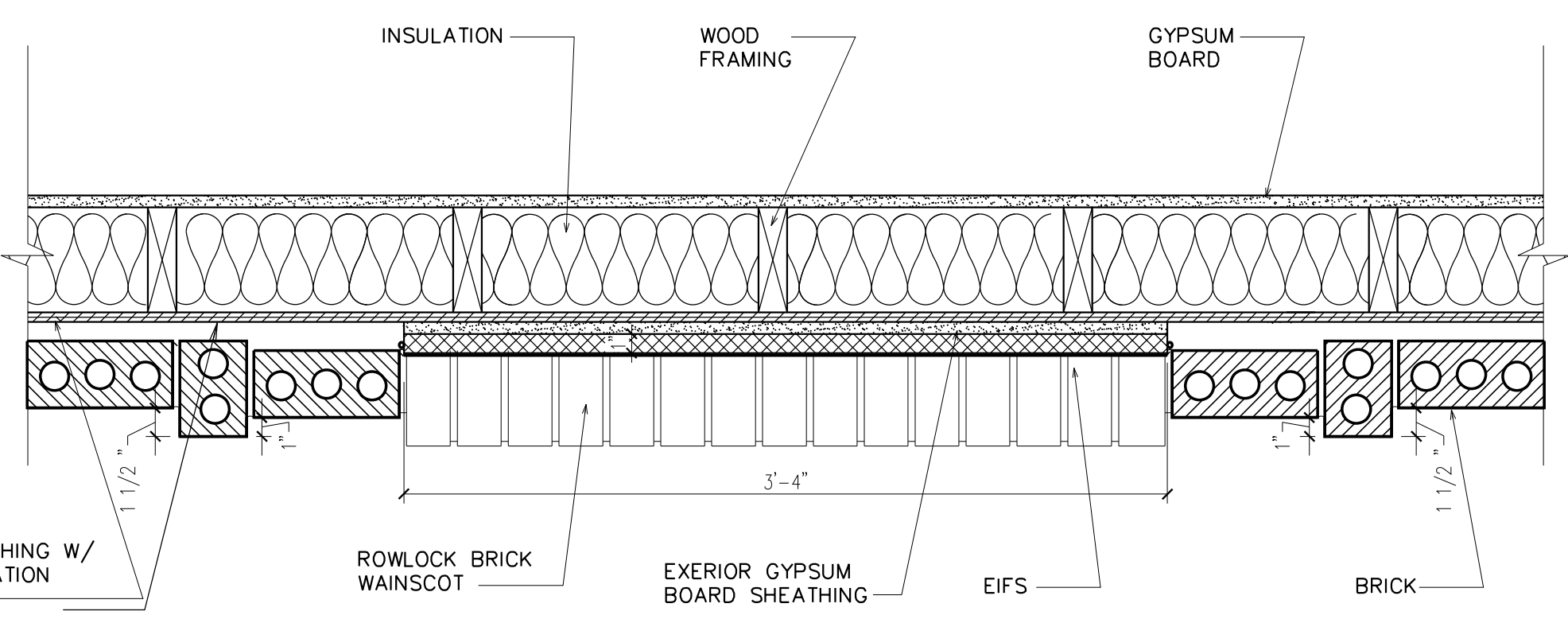
**G DETAIL**  
1 1/2" = 1'-0"



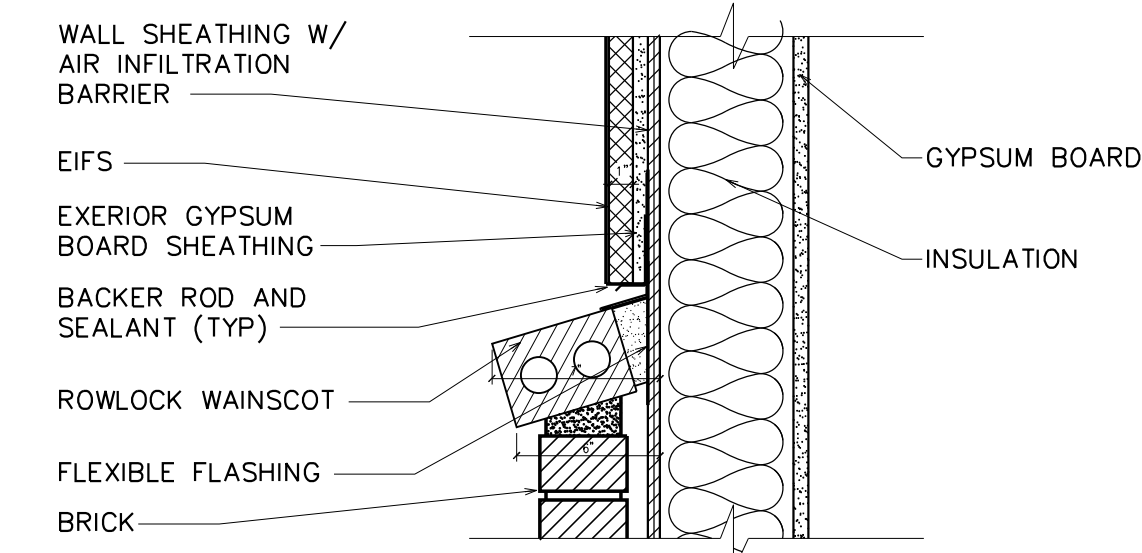
**H DETAIL**  
1 1/2" = 1'-0"



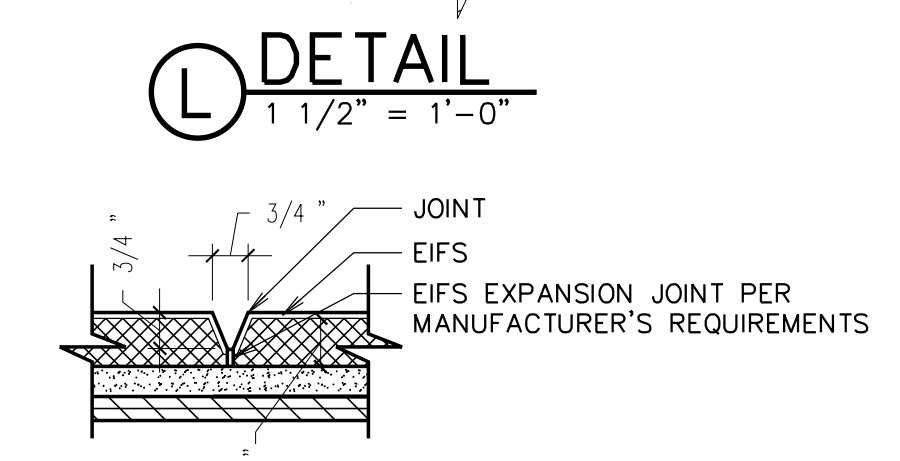
**I DETAIL**  
1 1/2" = 1'-0"



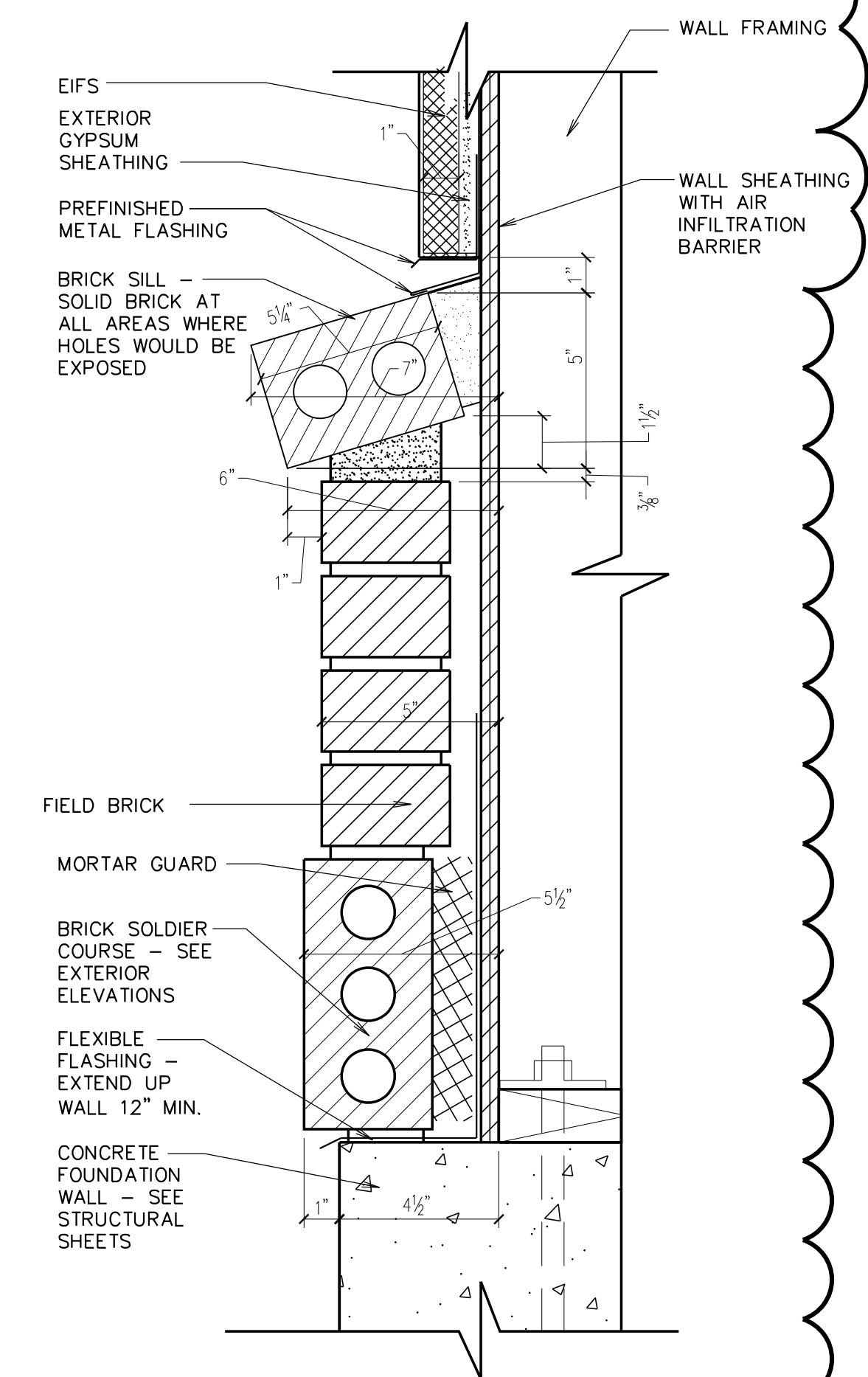
**J DETAIL**  
1 1/2" = 1'-0"



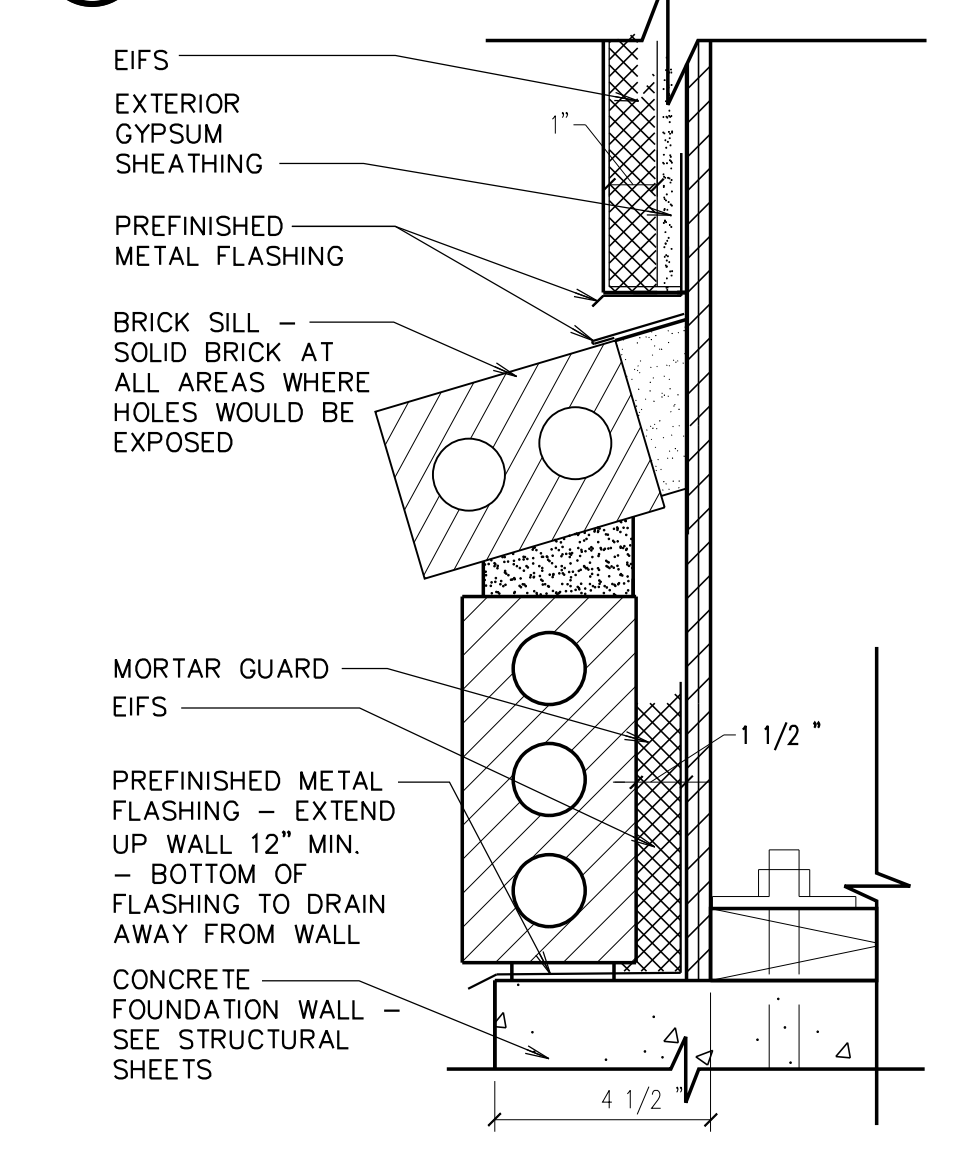
**K DETAIL**  
1 1/2" = 1'-0"



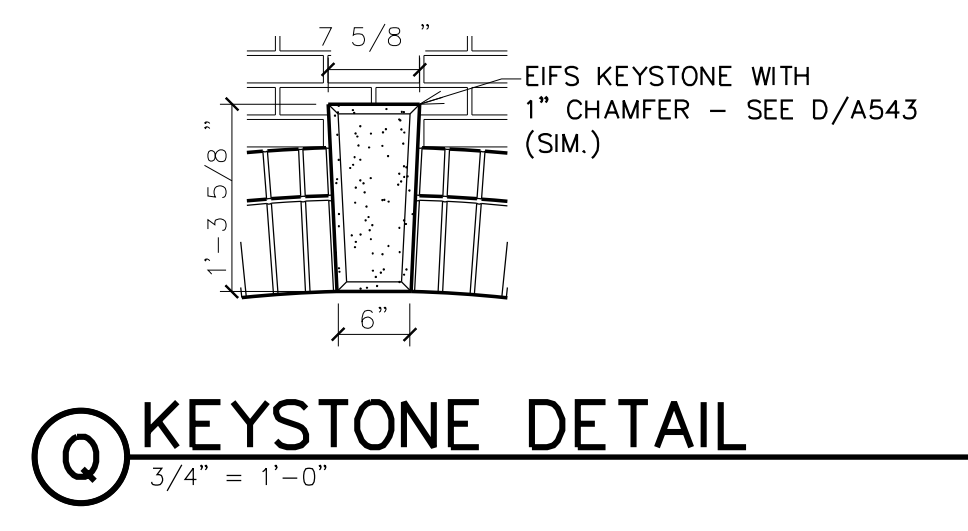
**L DETAIL**  
1 1/2" = 1'-0"



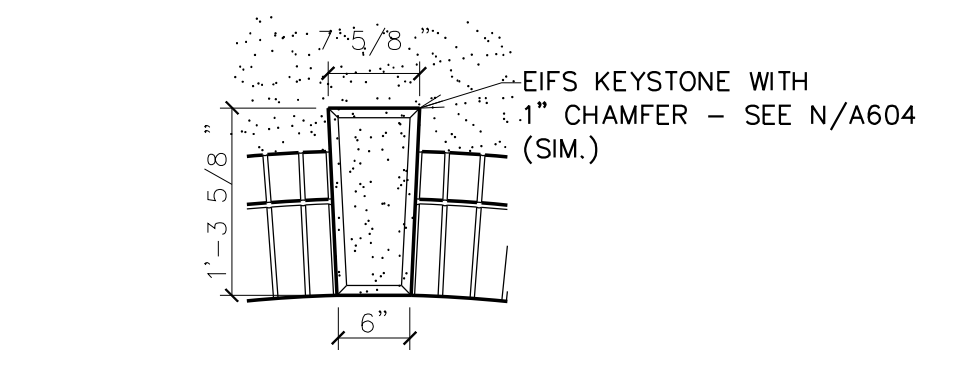
**M EIFS EXPANSION JOINT**  
3" = 1'-0"



**N BRICK SILL DETAIL**  
3" = 1'-0"



**Q KEYSTONE DETAIL**  
3/4" = 1'-0"



**R KEYSTONE DETAIL**  
3/4" = 1'-0"



**P BRICK WAINSCOT**  
3" = 1'-0"

SIM: WALL TYPES AND STRUCTURAL CONDITIONS VARY. REFER TO A103. EIFS PROFILE TO REMAIN CONSTANT.

NOT USED

Architect/Engineer:  
**AZAR • WALSH**  
ARCHITECTS  
American Institute of Architects AIA  
401 CHERRY STREET SUITE 700  
Macon, GEORGIA 31201 USA  
TEL: 478 750 7717 FAX: 478 750 6192  
E-MAIL: mwalsh@azarwalsh.com

Stamp:  
STATE OF GEORGIA  
J. KEVIN WALSH  
REGISTRATION NO. 8883  
REGISTERED ARCHITECT

THOMASTON, GA BRANCH  
JONESBORO, GA STAKE  
HWY. 36 nr ROCK HILL SCHOOL ROAD  
THOMASTON, GA. 30286

Project for:  
THE CHURCH OF  
JESUS CHRIST  
OF LATTER-DAY SAINTS

NO.	DATE	REVISIONS

Architect Project Number:  
0805  
Plan Series:  
FAY-170-02-[07]-02  
Project Number:  
500-0881-08020101

Sheet Title:  
EIFS  
DETAILS

Sheet:  
**A543**  
Of 33

Date: MAR. 16, 2009