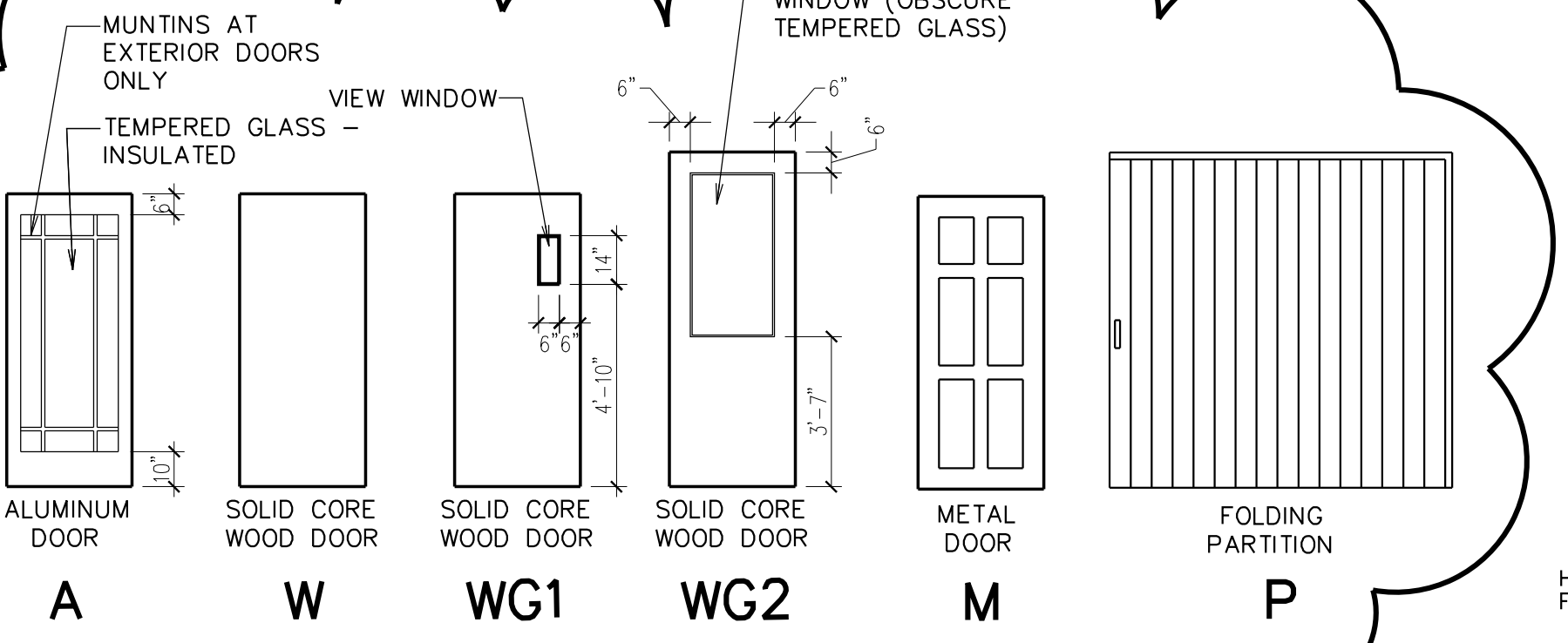


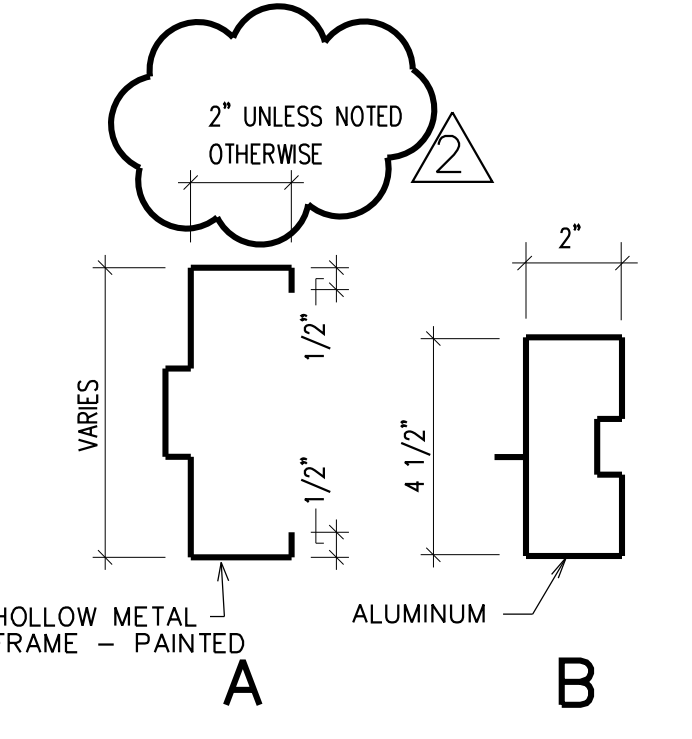
DOOR AND FRAME SCHEDULE

MARK	ROOM	DOOR				FRAME				MISCELLANEOUS				MARK		
		SIZE		TYPE	GLAZING	PROFILE	TYPE	DETAIL		THRESHOLD	FIRE RATING	HARDWARE			REMARKS	
		WIDTH	HGT					HEAD	JAMB			GROUP	KEYING			
101A	101	3'-0"	7'-0"	1 3/4"	W	-	A	1	P/A603	Q/A603	H/A503	-	23	AA2	T3, DS-5	101A
103A	103	3'-0"	7'-0"	1 3/4"	W	-	A	1	D/A603	C/A603	H/A503	-	23	XAA4	T3, DS-5	103A
104A	104	PR 3'-0"	7'-0"	1 3/4"	A	G1	B	3	H/A603	G/A603	B/A503	-	ST5	-	T1, DS-3	104A
104B	104	PR 3'-0"	7'-0"	1 3/4"	A	G2	B	4	P/A604	Q/A604	-	-	ST7	-	T1, DS-3	104B
105A	105	3'-0"	7'-0"	1 3/4"	W	-	A	1	J/A603	K/A603	-	-	20	-	T2, DS-2	105A
106A	106	PR 2'-6"	7'-0"	1 3/4"	M	-	A	2	T/A603	S/A603	-	-	10	XAA9	T1, DS-2	106A
107A	107	3'-0"	7'-0"	1 3/4"	W	-	A	1	A/A603	B/A603	-	-	20	-	T2, DS-5	107A
108A	108	3'-0"	7'-0"	1 3/4"	W	-	A	1	A/A603	B/A603	-	-	22	XAA8	DS-5	108A
109A	109	3'-0"	7'-0"	1 3/4"	WG1	G2	A	1	A/A603	B/A603	-	-	20	-	DS-5	109A
110A	110	3'-0"	7'-0"	1 3/4"	W	-	A	1	A/A603	B/A603	-	-	26	-	T2, DS-5	110A
110B	110	2'-6"	7'-0"	1 3/4"	W	-	A	1	A/A603	B/A603	-	-	28	XAA1	DS-5	110B
111A	111	3'-0"	7'-0"	1 3/4"	WG1	G2	A	1	J/A603	K/A603	-	-	20	-	DS-5	111A
111B	111	3'-0"	7'-0"	1 3/4"	WG1	G2	A	1	J/A603	K/A603	-	-	20	-	DS-5	111B
112A	112	3'-0"	7'-9"	1 3/4"	WG2	G2	A	1	J/A603	K/A603	-	-	20	-	DS-5	112A
113A	113	3'-0"	7'-0"	1 3/4"	W	-	A	1	A/A603	B/A603	-	-	26	-	T2, DS-5	113A
113B	113	2'-6"	7'-0"	1 3/4"	W	-	A	1	A/A603	B/A603	-	-	28	XAA1	DS-5	113B
114A	114	3'-6"	7'-0"	1 3/4"	A	G1	B	5	T/A604	U/A604	B/A503	-	ST2	-	T1, DS-3	114A
115A	115	3'-0"	7'-0"	1 3/4"	WG1	G2	A	1	A/A603	B/A603	-	-	20	-	DS-5	115A
116A	116	3'-0"	7'-0"	1 3/4"	WG1	G2	A	1	A/A603	B/A603	-	-	20	-	DS-5	116A
117A	117	3'-0"	7'-0"	1 3/4"	WG1	G2	A	1	A/A603	B/A603	-	-	20	-	DS-5	117A
119A	119	3'-0"	7'-0"	1 3/4"	WG1	G2	A	1	A/A603	B/A603	-	-	20	-	DS-5	119A
120A	120	3'-0"	7'-0"	1 3/4"	WG1	G2	A	1	A/A603	B/A603	-	-	20	-	DS-5	120A
121A	121	3'-0"	7'-0"	1 3/4"	WG1	G2	A	1	A/A603	B/A603	-	-	20	-	DS-5	121A
122A	122	PR 2'-6"	7'-0"	1 3/4"	W	-	A	2	A/A604	B/A604	C/A503	-	50A	-	T1	122A
123A	123	3'-6"	7'-0"	1 3/4"	A	G1	B	5	T/A604	U/A604	B/A503	-	ST2	-	T1, DS-3	123A
124A	124	3'-0"	7'-0"	1 3/4"	WG1	G2	A	1	A/A603	B/A603	-	-	20	-	DS-5	124A
125A	125	3'-6"	7'-0"	1 3/4"	WG1	G2	A	1	A/A603	B/A603	-	-	20	-	DS-5	125A
125B	125	3'-6"	7'-0"	1 3/4"	M	-	A	1	T/A603	S/A603	B/A503	-	2	-	T1, DS-3	125B
126A	126	3'-0"	7'-0"	1 3/4"	WG1	G2	A	1	A/A603	B/A603	-	-	20	-	DS-5	126A
127A	127	3'-0"	7'-0"	1 3/4"	WG1	G2	A	1	A/A603	B/A603	-	-	20	-	T2, DS-5	127A
127B	127	PR 2'-0"	7'-0"	1 3/4"	W	-	A	2	A/A603	B/A603	-	-	50B	-	T1, DS-3	127B
128A	128	3'-0"	7'-0"	1 3/4"	W	-	A	1	A/A603	B/A603	-	-	26	-	DS-5	128A
129A	129	3'-0"	7'-0"	1 3/4"	M	-	A	1	T/A603	S/A603	-	-	3	XAA9	T1, DS-3	129A
130A	130	3'-0"	7'-0"	1 3/4"	W	-	A	1	A/A603	B/A603	-	-	27	-	T2, DS-3	130A
131A	131	PR 3'-0"	7'-0"	1 3/4"	A	G1	B	3	H/A603	G/A603	B/A503	-	ST5	-	T1, DS-3	131A
131B	131	PR 3'-0"	7'-0"	1 3/4"	A	G2	B	4	P/A604	Q/A604	-	-	ST7	-	T1, DS-3	131B
133A	133	3'-0"	7'-0"	1 3/4"	W	-	A	1	D/A603	C/A603	-	-	23	XAA5	DS-5	133A
134A	134	3'-0"	7'-0"	1 3/4"	W	-	A	1	P/A603	Q/A603	-	-	23	AA3	DS-5	134A
135A	135	3'-0"	7'-0"	1 3/4"	W	-	A	1	J/A603	K/A603	-	-	20	-	DS-5	135A
136A	136	3'-0"	7'-0"	1 3/4"	W	-	A	1	E/A603	F/A603	-	-	26A	-	T1	136A
136B	136	3'-0"	7'-0"	1 3/4"	W	-	A	1	E/A603	F/A603	-	-	26A	-	T1	136B
137A	137	PR 3'-0"	7'-0"	1 3/4"	W	-	A	2	J/A603	K/A603	-	-	52	-	DS-5	137A
137B	137	PR 3'-0"	7'-0"	1 3/4"	W	-	A	2	J/A603	K/A603	-	-	52	-	DS-5	137B
139A	139	3'-0"	7'-0"	1 3/4"	W	-	A	1	J/A603	K/A603	-	-	21	-	DS-5	139A
142A	142	3'-0"	7'-0"	1 3/4"	W	-	A	1	A/A603	B/A603	-	-	23	XAA9	T2	142A
301A	301	2'-8"	7'-0"	1 3/4"	M	-	A	A	A/A701	B,D/A701	-	-	1	XAA1	T1, DS-2	301A
302A	302	2'-8"	7'-0"	1 3/4"	M	-	A	A	A/A701	D/A701	-	-	1	AA6	T1, DS-2	302A
303A	303	2'-8"	7'-0"	1 3/4"	M	-	A	A	A/A701	B,D/A701	-	-	1	XAA9	T1, DS-2	303A
304A	304	4'-0"	7'-0"	1 3/4"	M	-	A	A	A/A701	B/A701	-	-	1	XAA10	T1, DS-2	304A



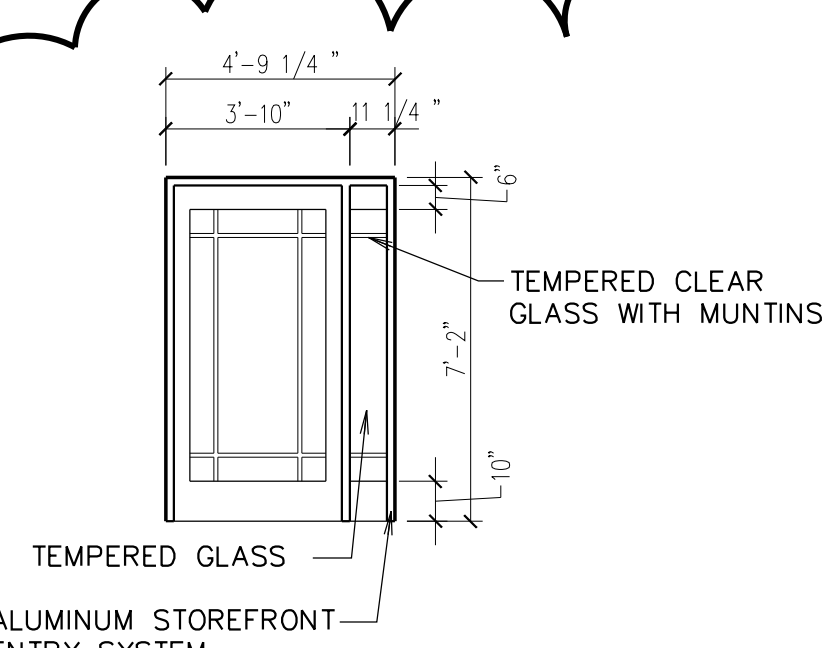
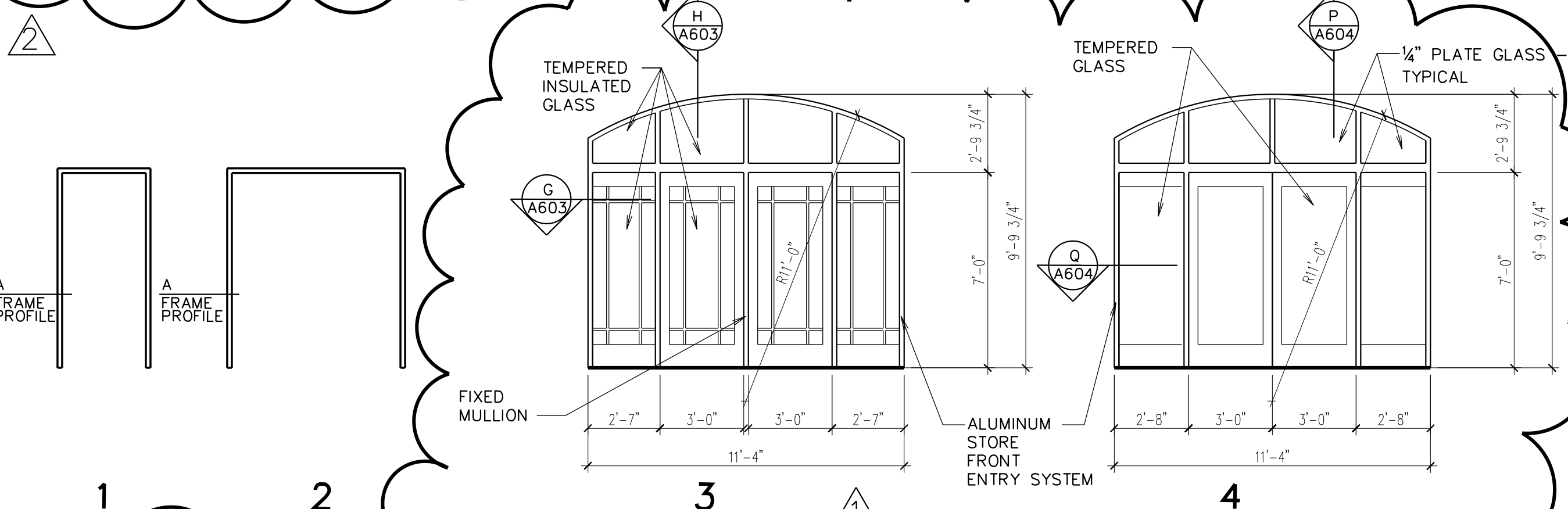
DOOR TYPES

1/4" = 1'-0"



FRAME PROFILES

3" = 1'-0"



FRAME TYPES

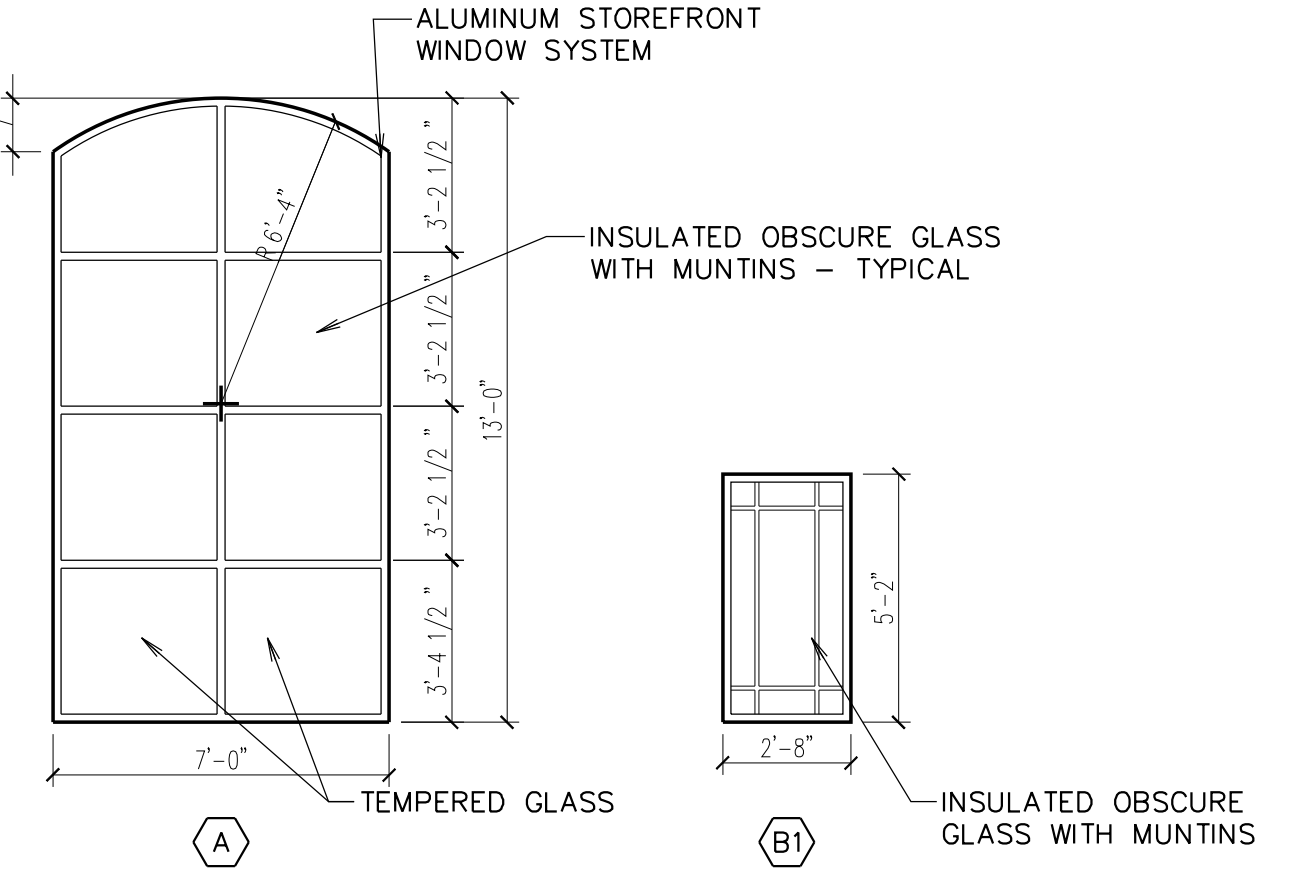
1/4" = 1'-0"

WINDOW SCHEDULE

MARK	QUANTITY	FRAME DETAIL			REMARKS	MARK
		HEAD	JAMB	SILL		
A	2	N/A604	M/A604	L/A604		A
B1	10	F/A604	G/A604	E/A604		B1
B2	2	F/A604	G/A604	E/A604		B2
B3	2	K/A604	J/A604	H/A604		B3
B4	2	K/A604	J/A604	H/A604		B4

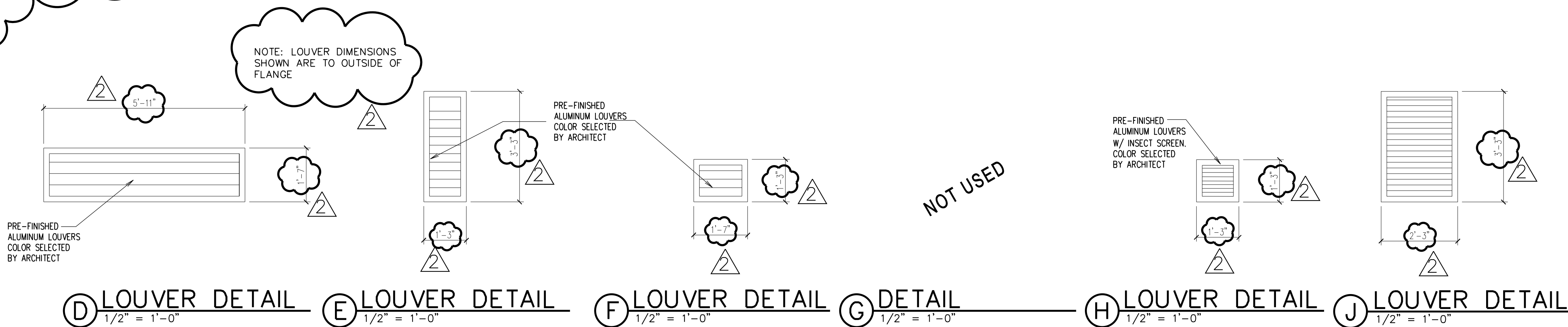
ACOUSTICAL FOLDING PARTITION SCHEDULE

MARK	ROOM	DOOR		FRAME		MISCELLANEOUS				MARK	
		SIZE		DETAIL		FIRE RATING	GROUP	KEYING	REMARKS		
		WIDTH	HGT	HEAD	JAMB						
P1	125/126	14'-9"	8'-0"	P	C/A605	D/A605	-	-	-	FP1	P1
P2	136/137	37'-9"	16'-0"	P	G/A605	E/A605	-	-	-	FP1	P2
P3	119/120	14'-10"	8'-0"	P	F/A605	D/A605	-	-	-	FP1	P3



WINDOW TYPES

ALL WINDOW DIMENSIONS ARE ROUGH OPENING SIZES



D LOUVER DETAIL 1/2" = 1'-0" **E LOUVER DETAIL** 1/2" = 1'-0" **F LOUVER DETAIL** 1/2" = 1'-0" **G DETAIL** 1/2" = 1'-0" **H LOUVER DETAIL** 1/2" = 1'-0" **J LOUVER DETAIL** 1/2" = 1'-0"

NOT USED