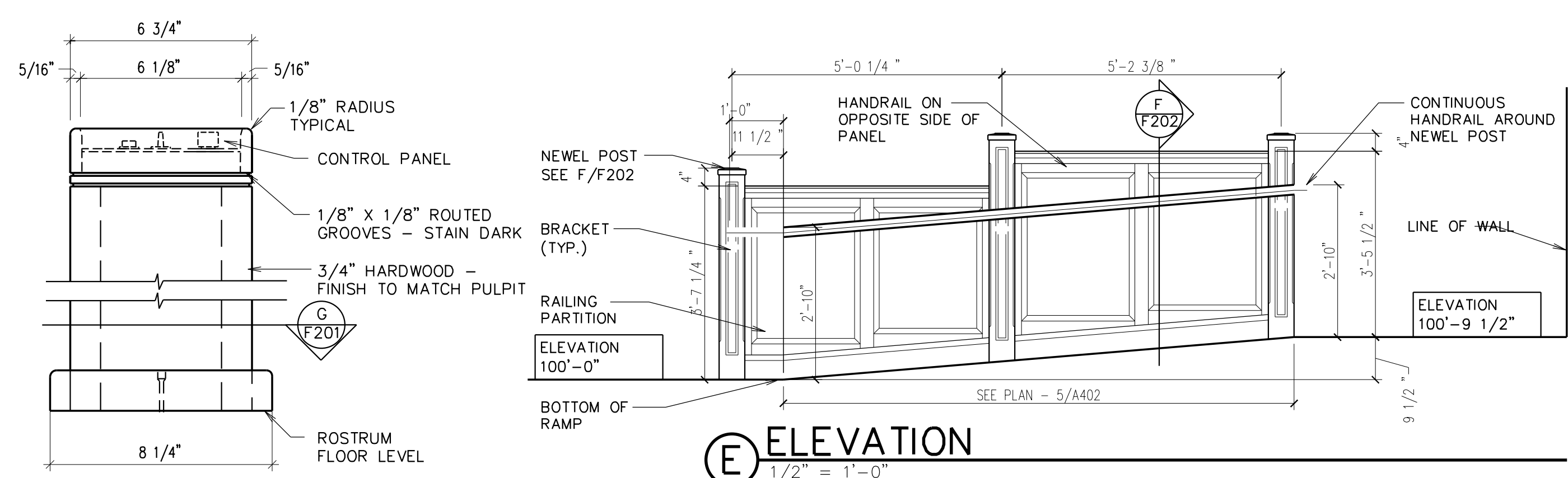
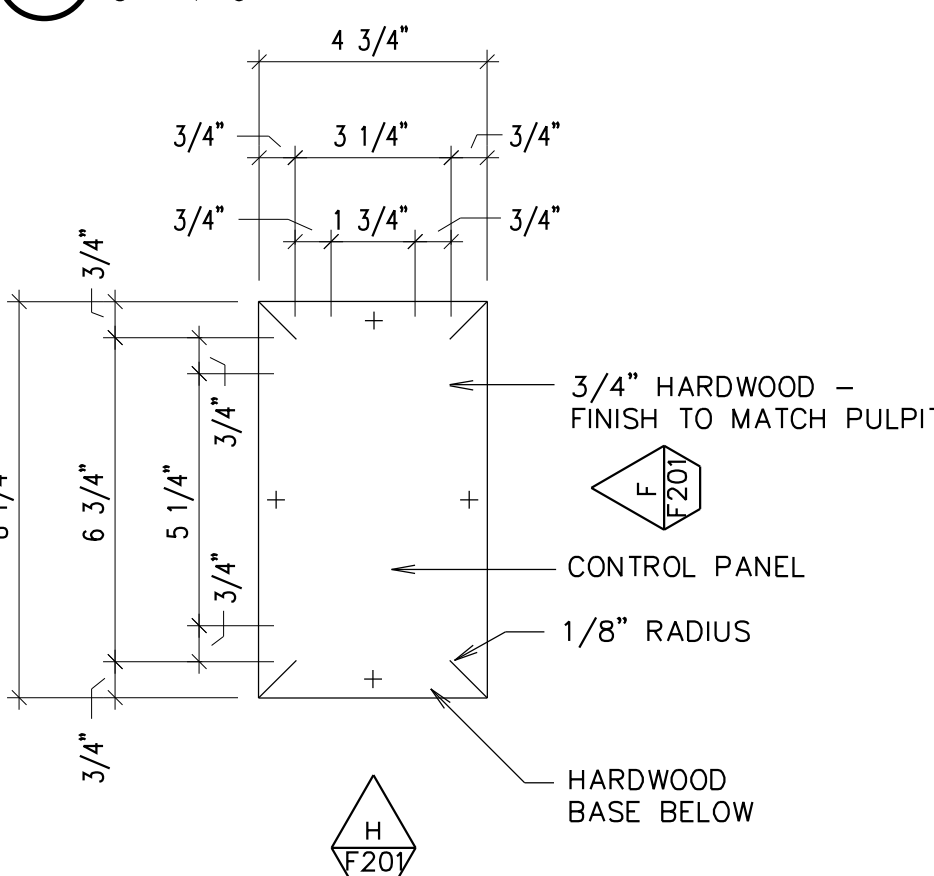


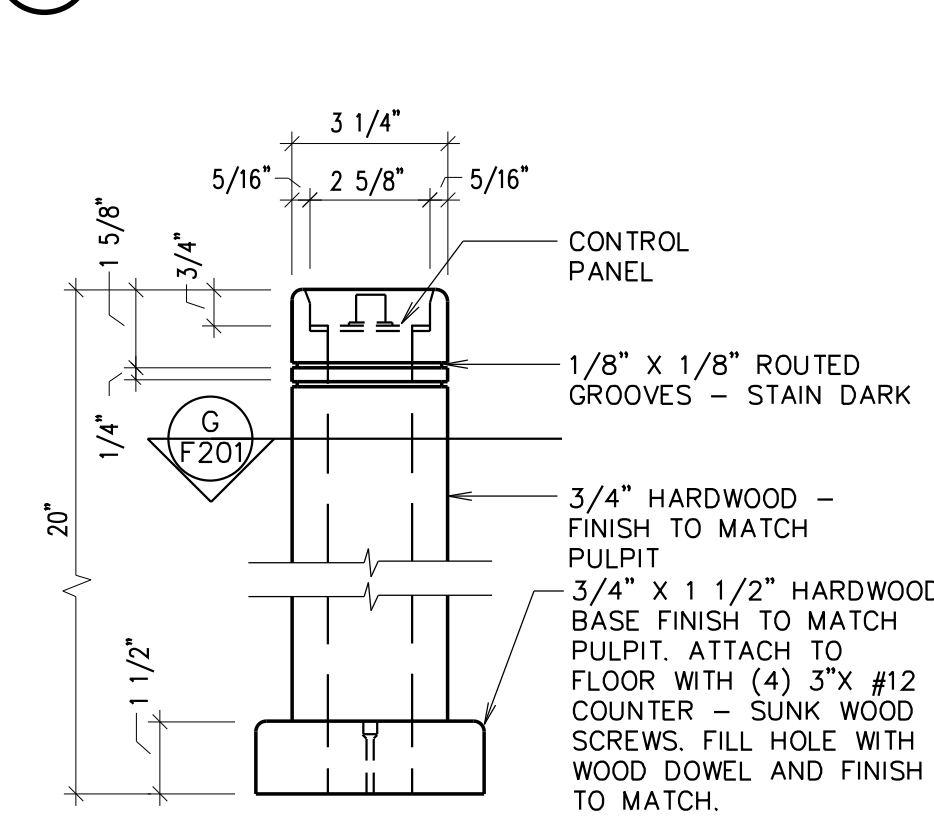
NO.	DATE	REVISIONS	DESCRIPTION
1	03-23-10	VER. 3	REVISIONS



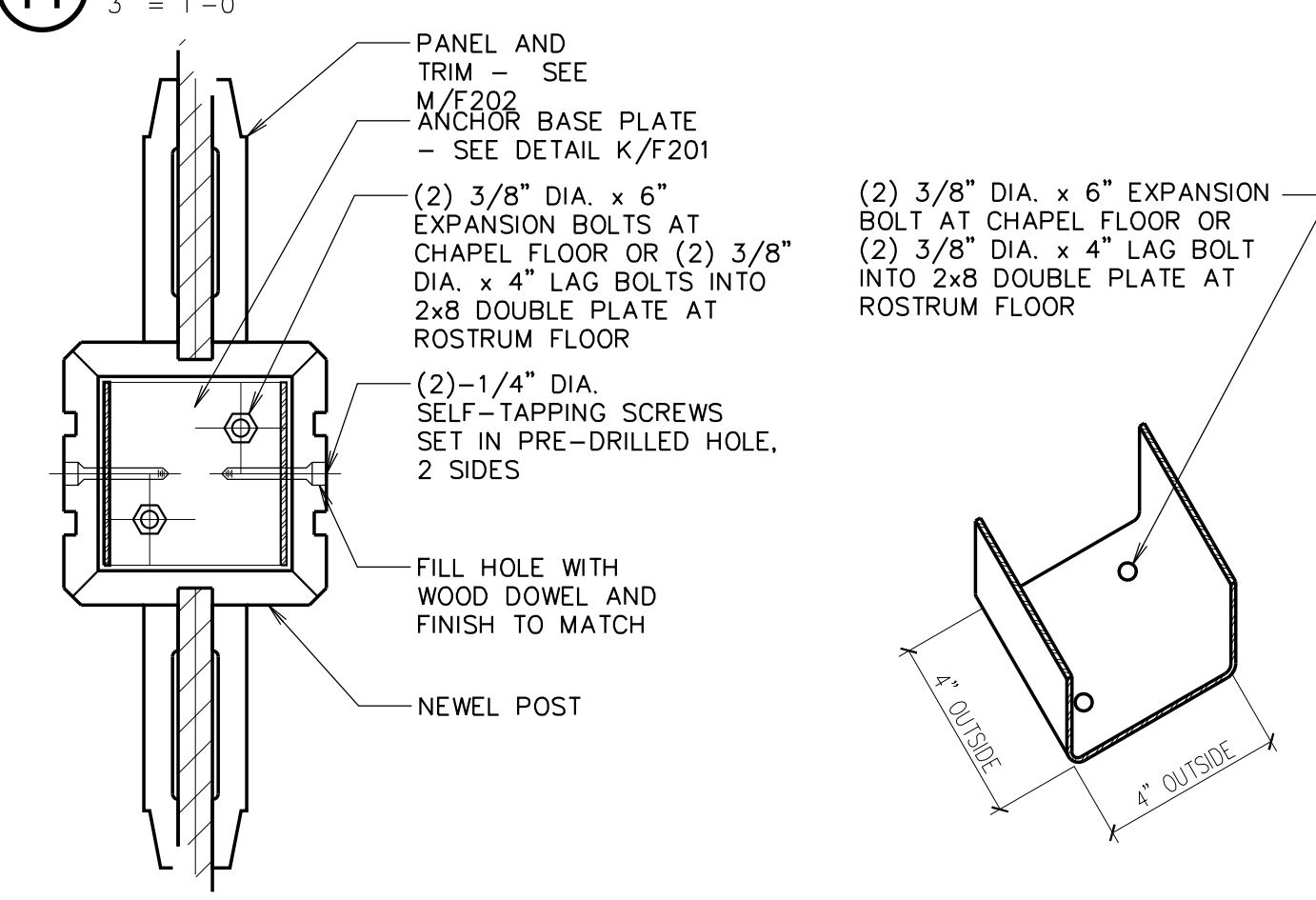
**F CONTROL PEDESTAL ELEVATION**  
 3" = 1'-0"



**G CONTROL PEDESTAL SECTION**  
 3" = 1'-0"

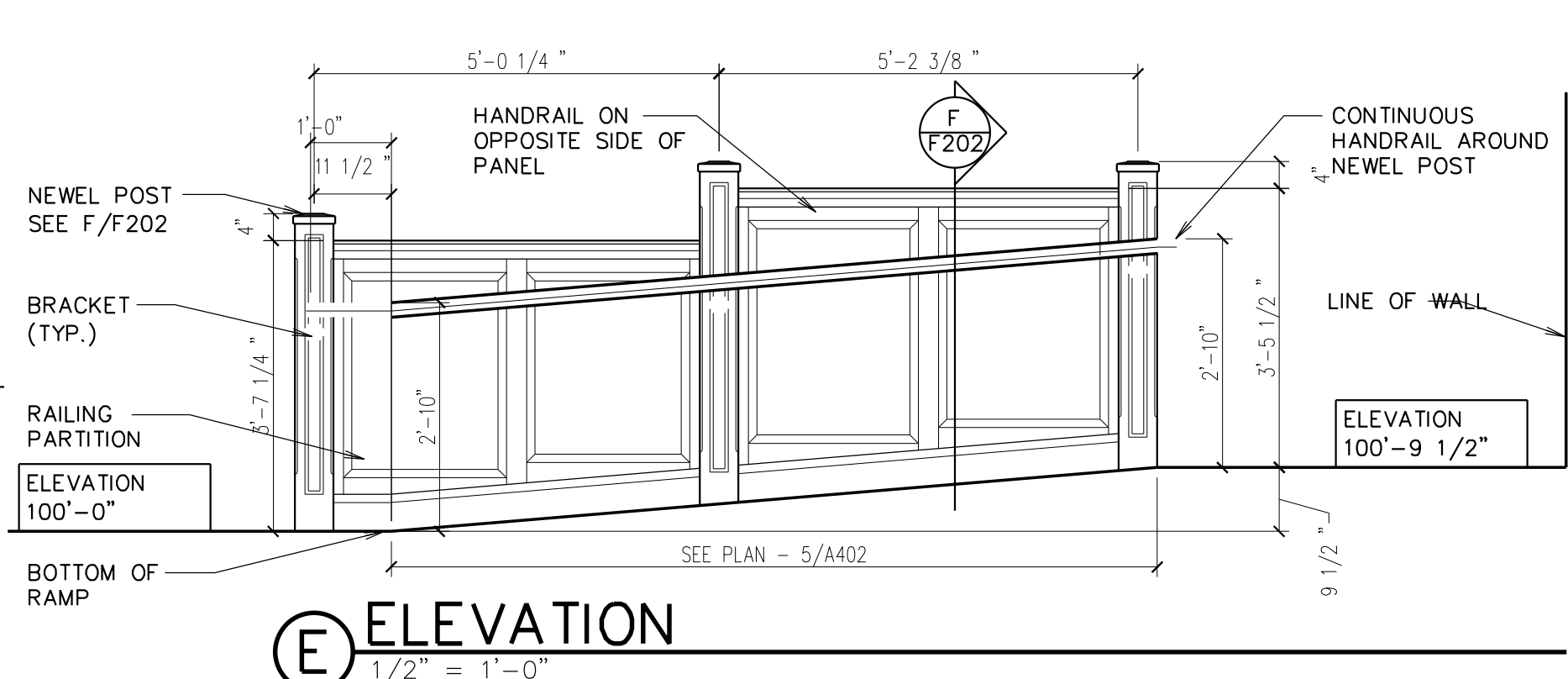


**H CONTROL PEDESTAL ELEVATION**  
 3" = 1'-0"

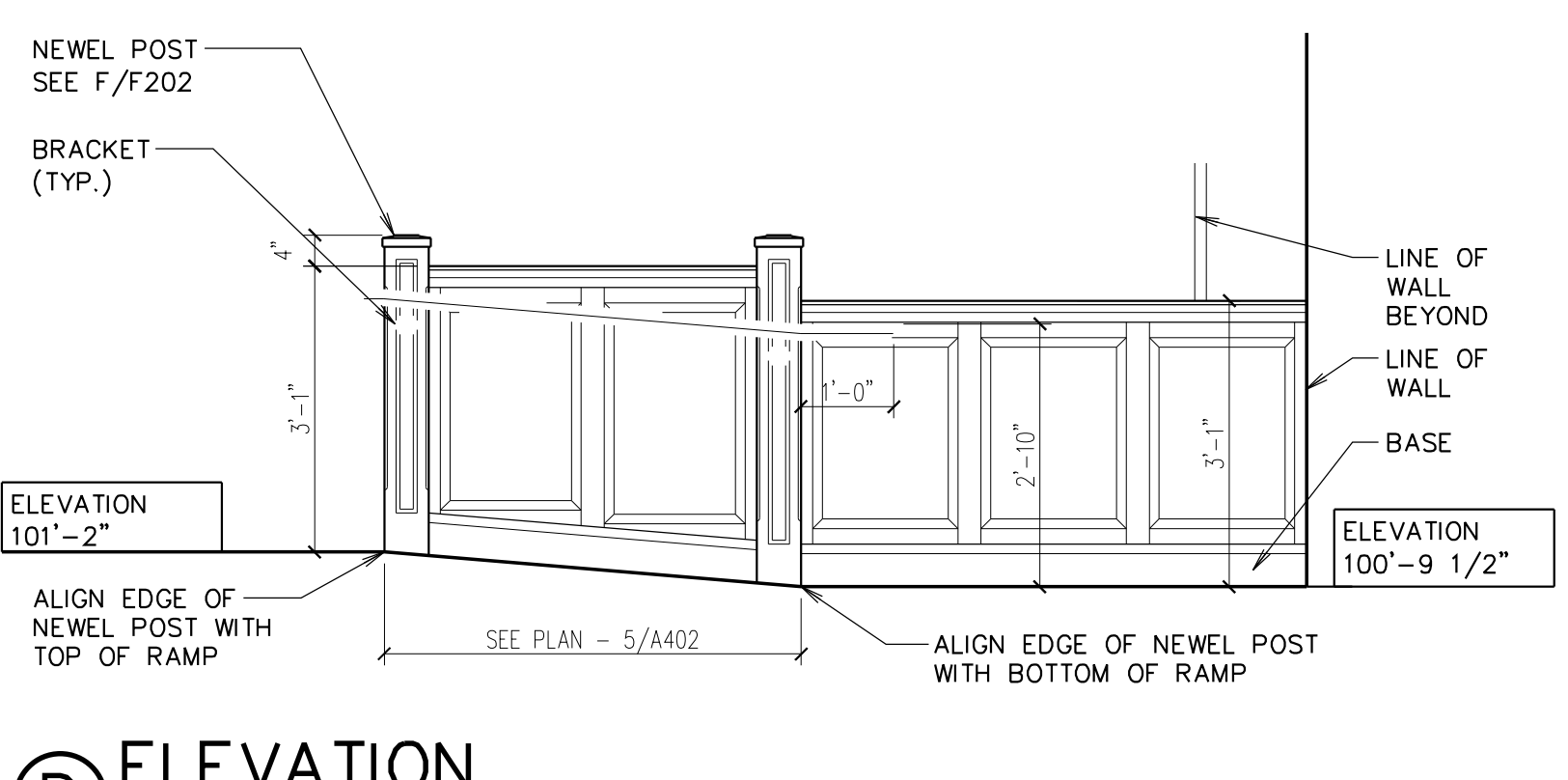


**J SECTION**  
 3" = 1'-0"

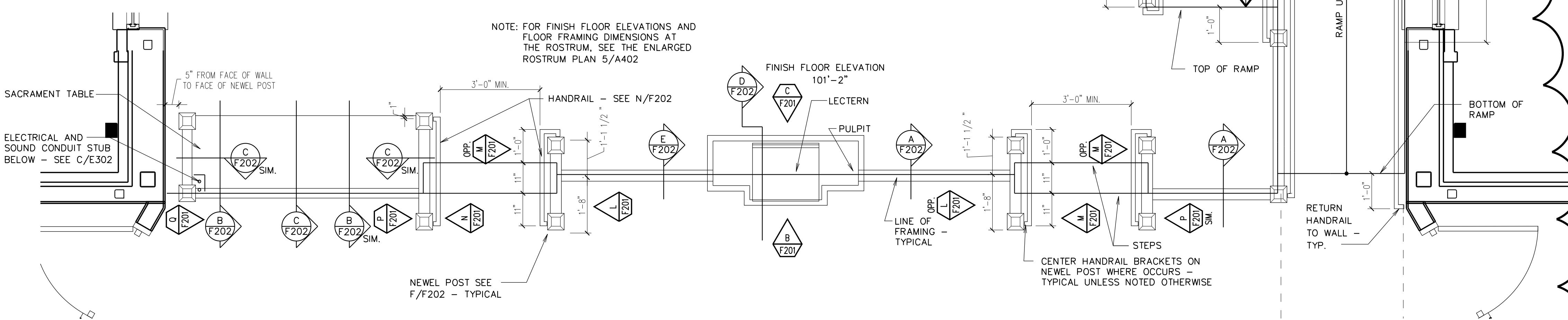
**K NEWEL ANCHOR**  
 NOT TO SCALE



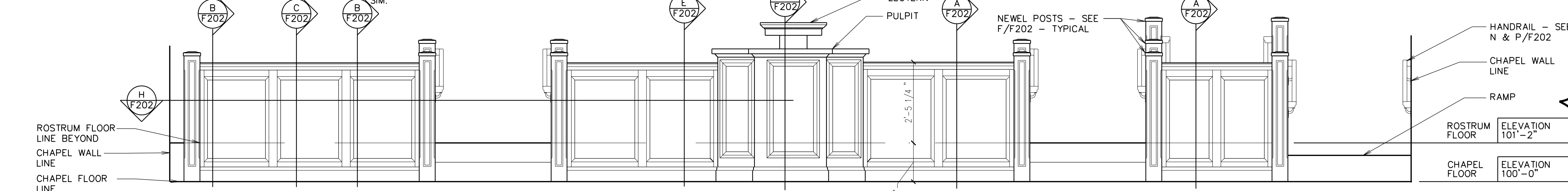
**E ELEVATION**  
 1 1/2" = 1'-0"



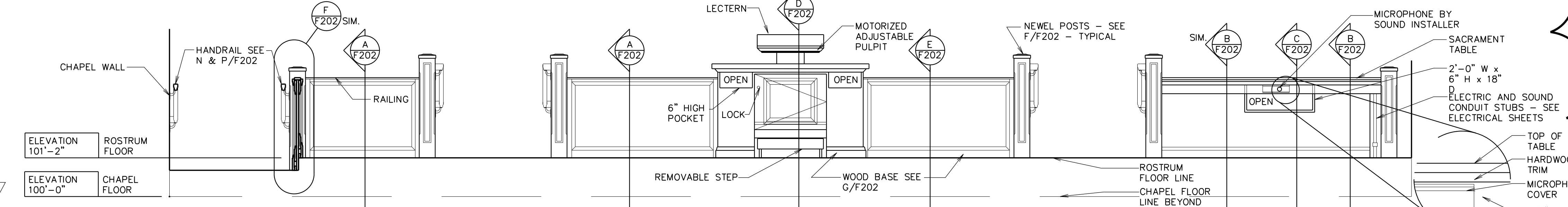
**D ELEVATION**  
 1 1/2" = 1'-0"



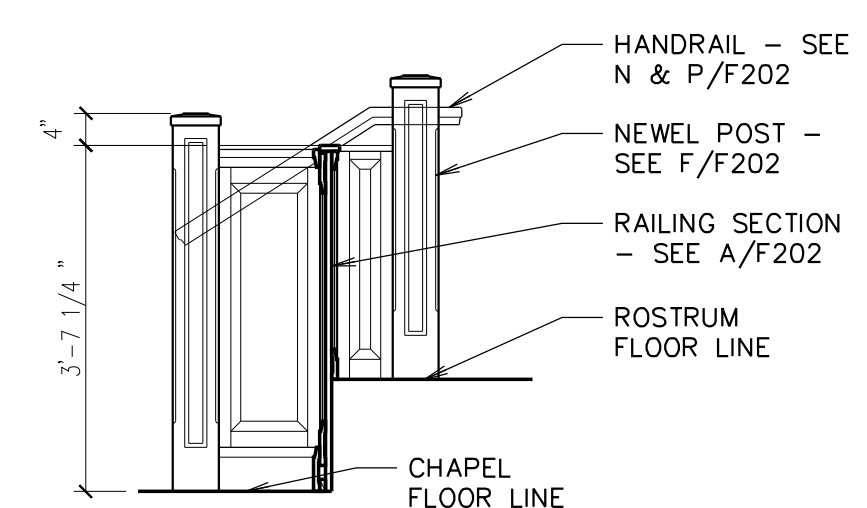
**A PLAN VIEW**  
 1 1/2" = 1'-0"



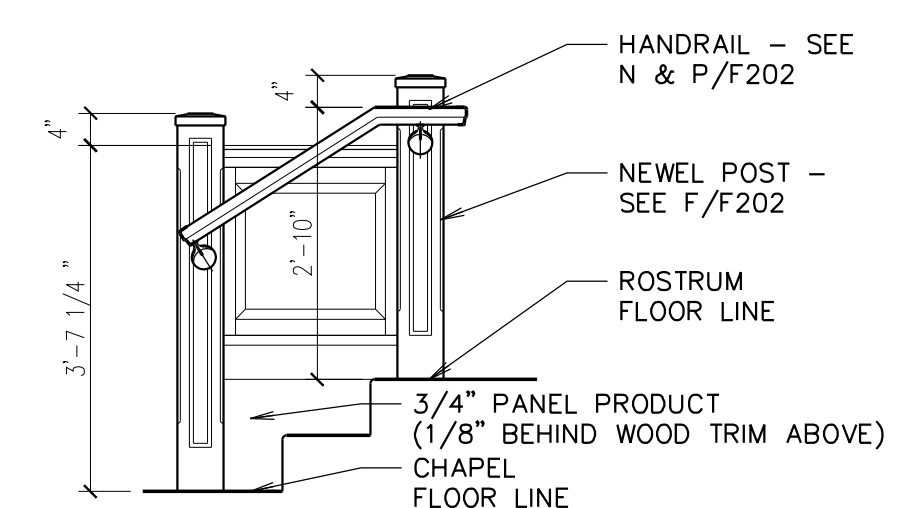
**B ELEVATION (CHAPEL SEATING VIEW)**  
 1 1/2" = 1'-0"



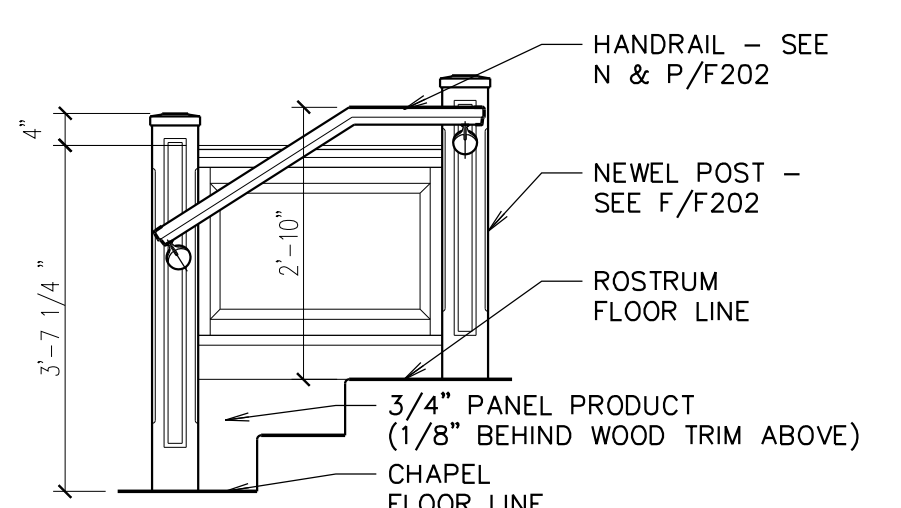
**C ELEVATION (ROSTRUM SEATING VIEW)**  
 1 1/2" = 1'-0"



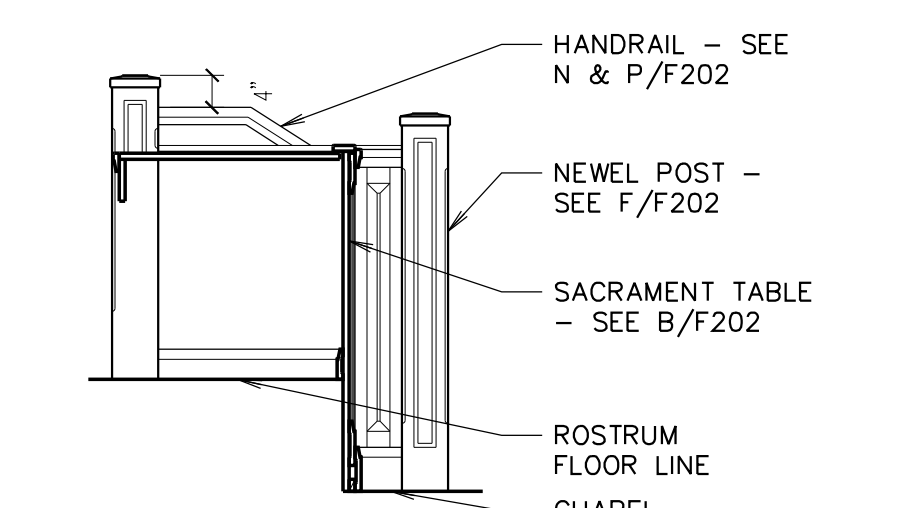
**L ELEVATION**  
 1 1/2" = 1'-0"



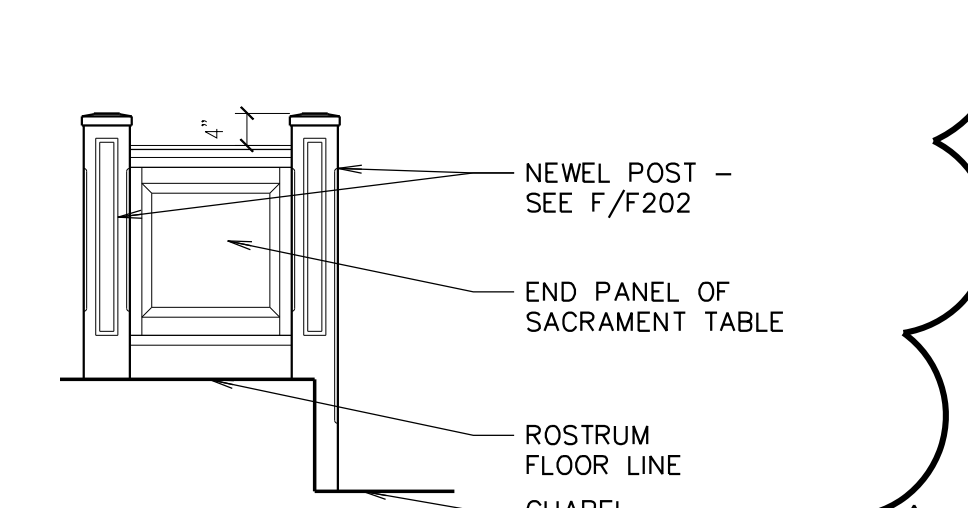
**M ELEVATION**  
 1 1/2" = 1'-0"



**N ELEVATION**  
 1 1/2" = 1'-0"



**P ELEVATION**  
 1 1/2" = 1'-0"



**Q ELEVATION**  
 1 1/2" = 1'-0"