

NO.	REVISION	DATE	DESCRIPTION
1	ISSUE FOR PERMIT		
2			
3			
4			
5			
6			
7			
8			
9			
10			

Architect Project Number: 0805
 Plan Series: **FAY-170-02-[07]-02**
 Project Number: 500-0881-08020101

Sheet Title:
ROSTRUM CASEWORK

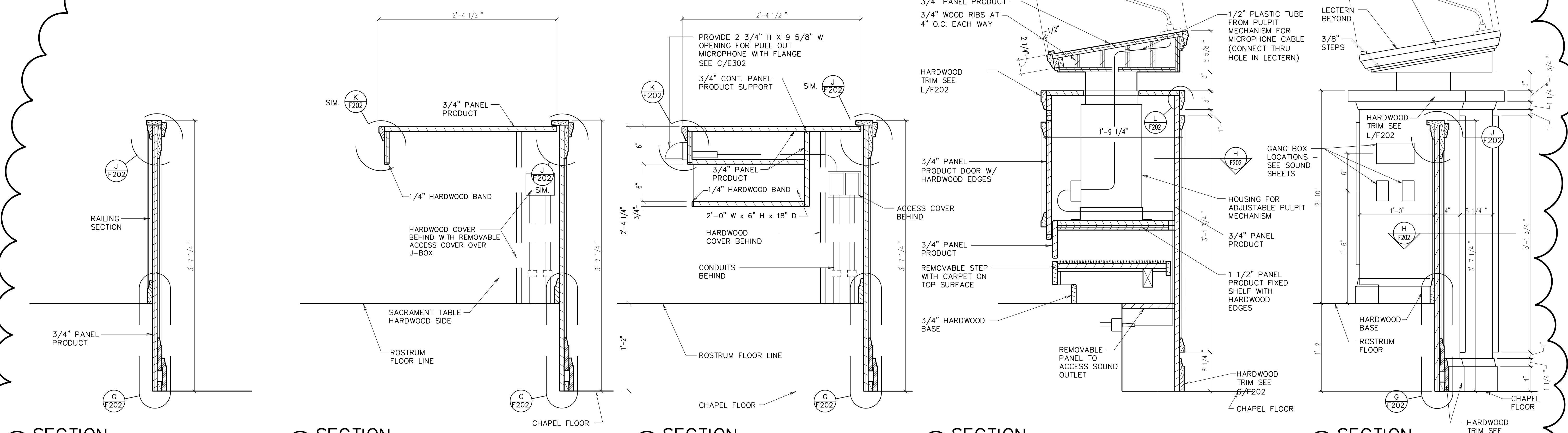
Sheet:
F202

Of 5

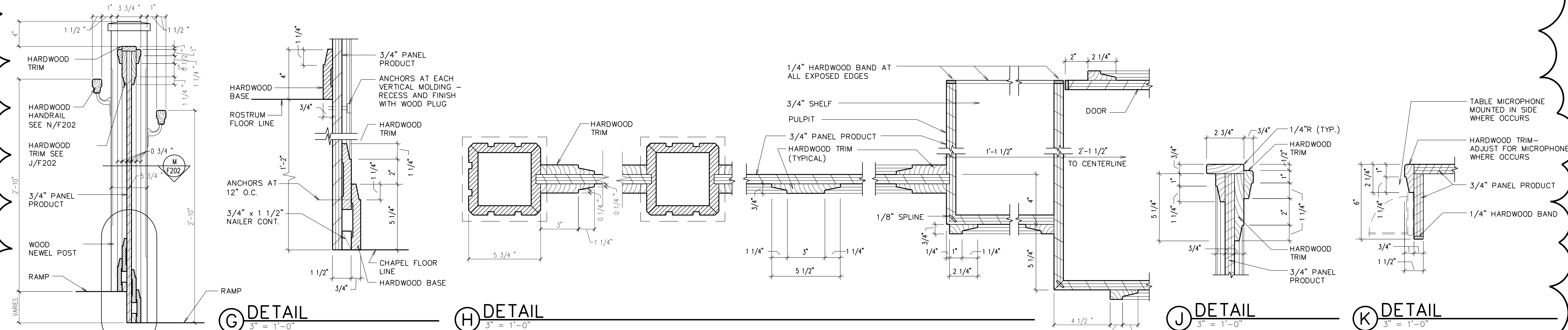
Date: MAR. 16, 2009

NOTE: VERIFY MANUFACTURER'S REQUIREMENTS FOR INSTALLATION OF ADJUSTABLE PULPIT MECHANISM (HEIGHT OF SHELF, ETC.). MANUFACTURER MAY VARY

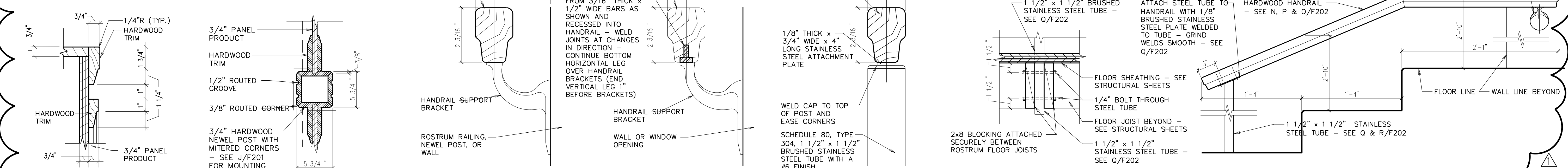
NOTE: LECTERN MUST HAVE A MINIMUM CLEARANCE OF 3" IN THE LOW POSITION



A SECTION 1 1/2" = 1'-0"
B SECTION 1 1/2" = 1'-0"
C SECTION 1 1/2" = 1'-0"
D SECTION 1 1/2" = 1'-0"
E SECTION 1 1/2" = 1'-0"



G DETAIL 3" = 1'-0"
H DETAIL 3" = 1'-0"
J DETAIL 3" = 1'-0"
K DETAIL 3" = 1'-0"



L DETAIL 3" = 1'-0"
M SECTION 1 1/2" = 1'-0"
N SECTION 6" = 1'-0"
P SECTION 6" = 1'-0"
Q SECTION 6" = 1'-0"
R SECTION 1 1/2" = 1'-0"
S SECTION 1 1/2" = 1'-0"