

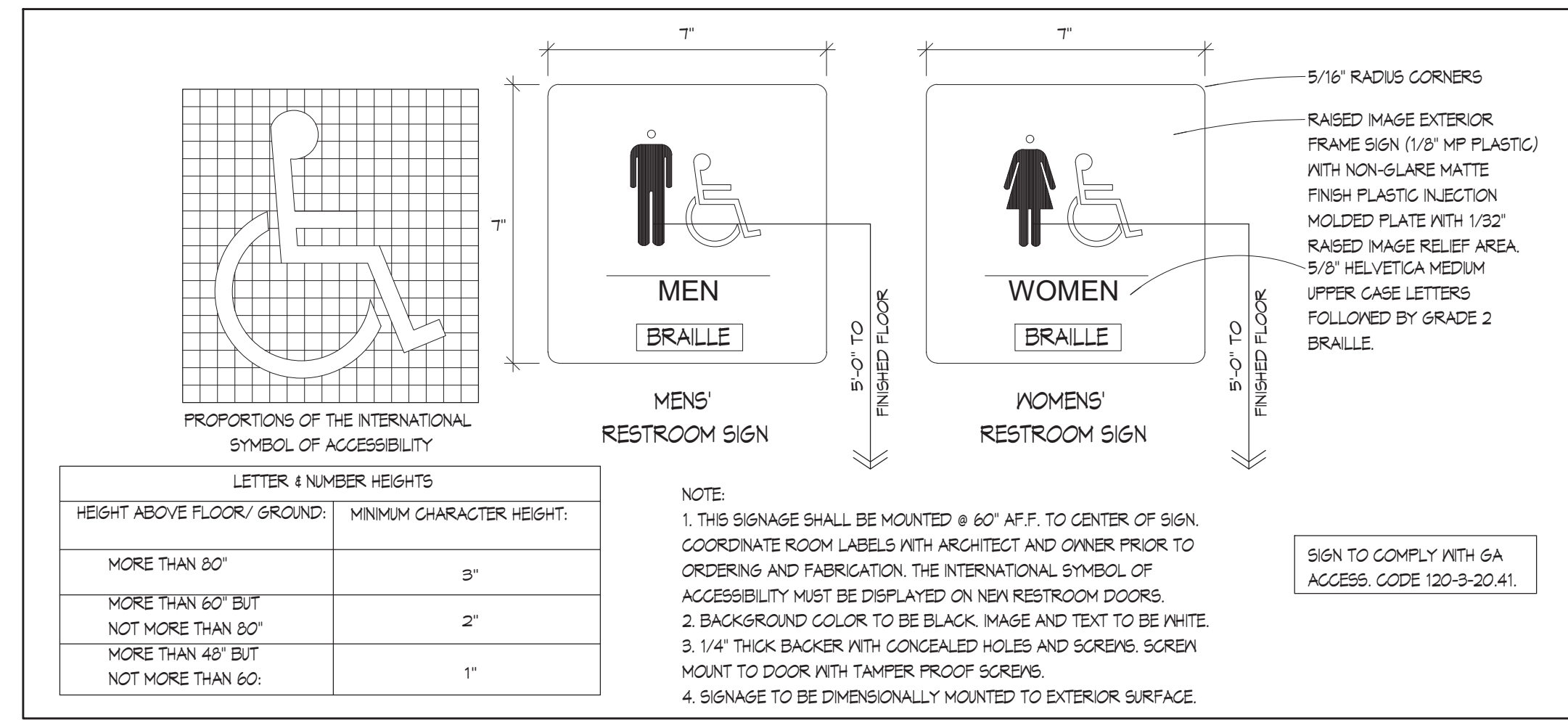
(Doors/Hardware) handles, pulls, latches, locks, and other operating devices on accessible doors shall have a shape that is easy to grasp with one hand and does not require tight grasping, tight grasping, light pinching, or twisting of the wrist to operate. Lever-operated mechanisms, push-type mechanisms, and U-shaped handles are acceptable designs. Rule 120-3-20-.24 (9) shall be provided. Georgia Accessibility Code, 1998 Edition.

(Fire Extinguishers) In Special structures and High-Rise buildings shall be located per the requirements of NFPA 10. The size shall be a minimum of 2 A 10 BC, 1 is/are required and shall be installed at a maximum of 48" above the finished floor to the top of the handle. MOUNT IN STORAGE ROOM.

(Auto. Flush Controls) shall be installed per Rule 120-3-20-.27(5) and shall not require tight grasping, pinching or twisting of the wrist. Controls for Flush Valves shall be mounted on the wide side of toilet areas no more than 44 inches above the floor per the Georgia Accessibility Code.

(Mirrors) shall be installed a maximum of 40" above the finished floor to the bottom, and at least 74" to the top of the frame per Rule 120-3-20-.30(6) of the Georgia Accessibility Code.

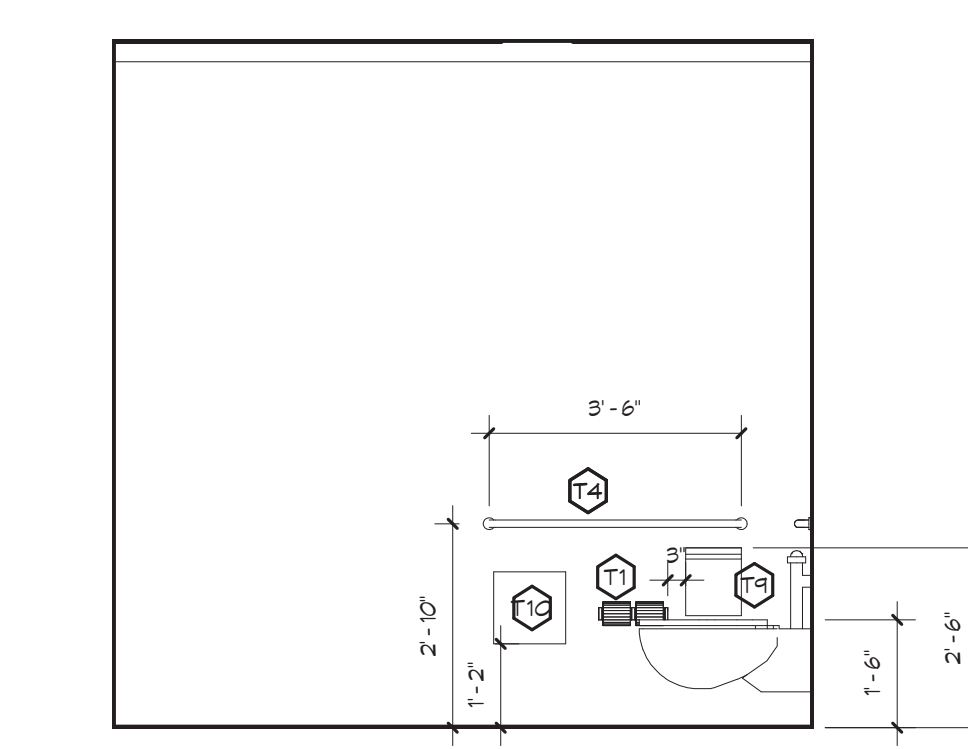
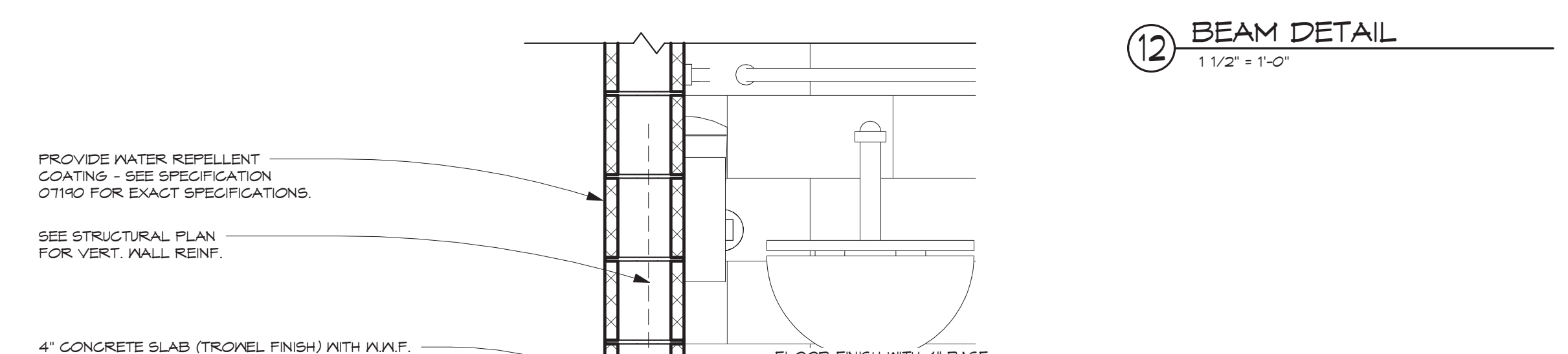
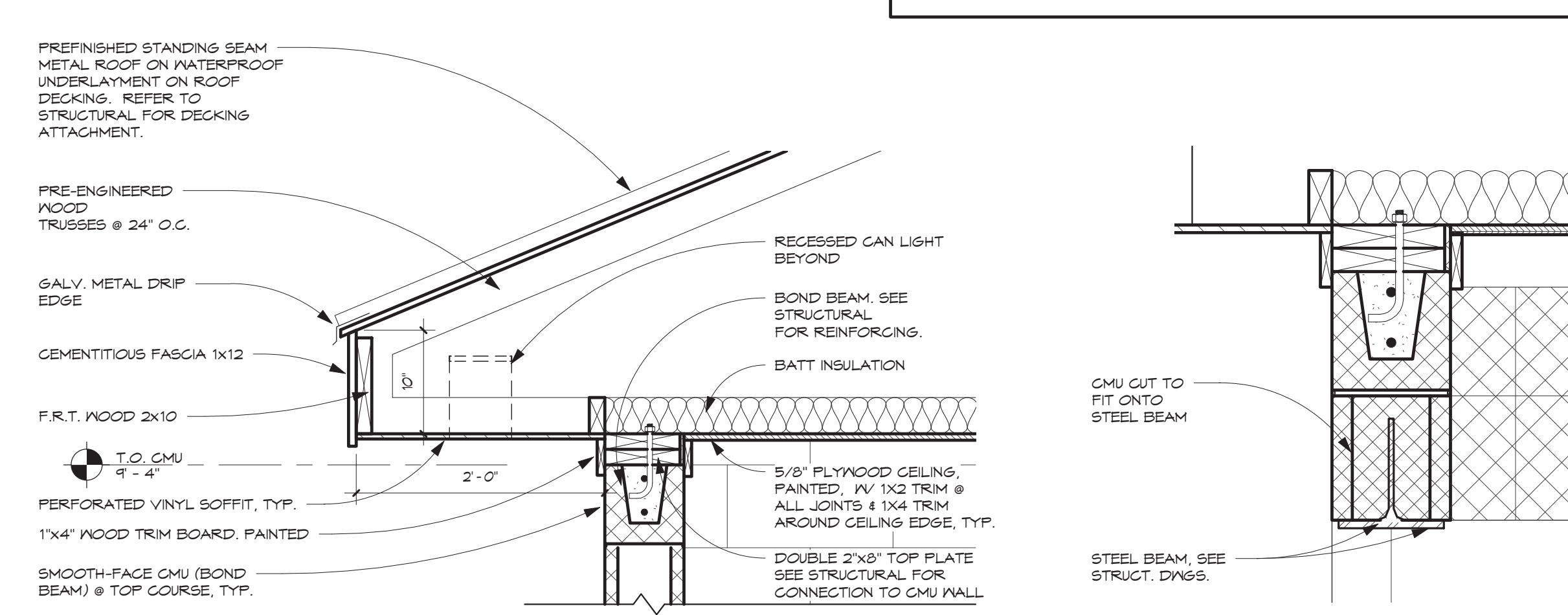
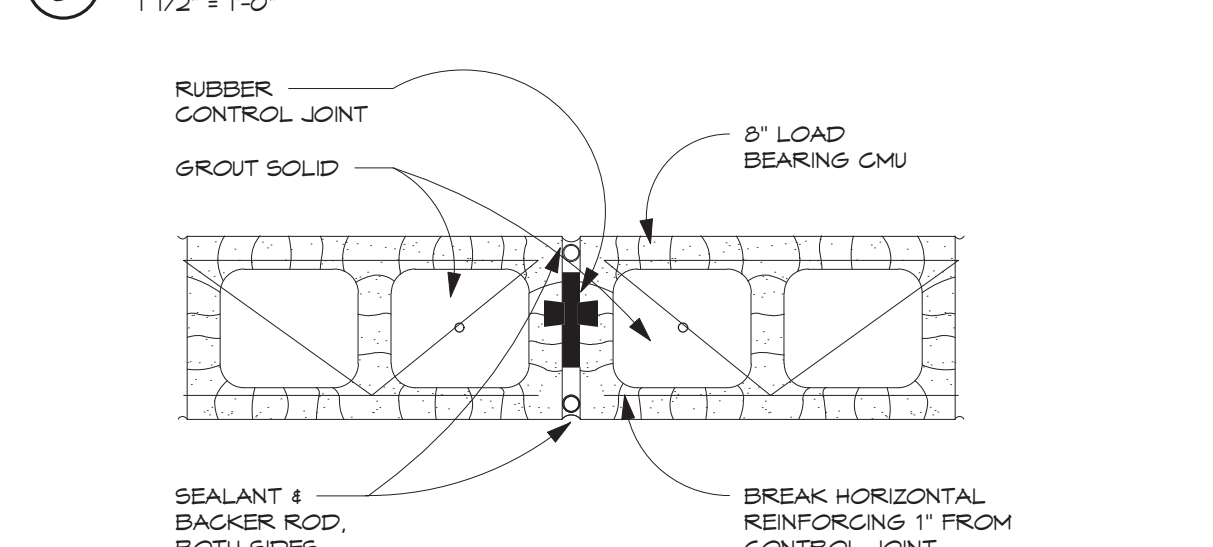
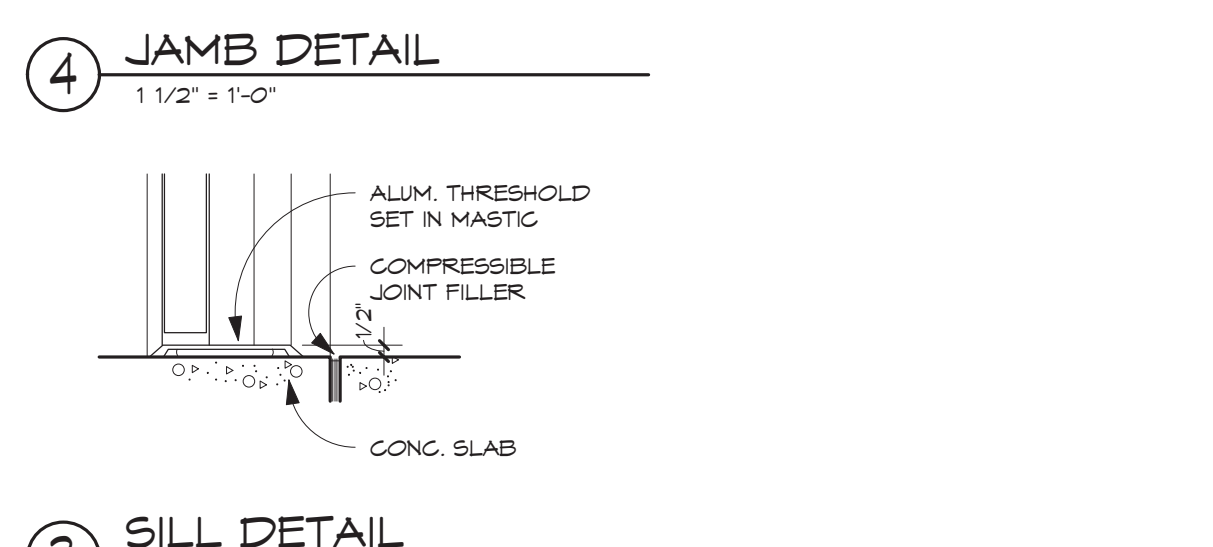
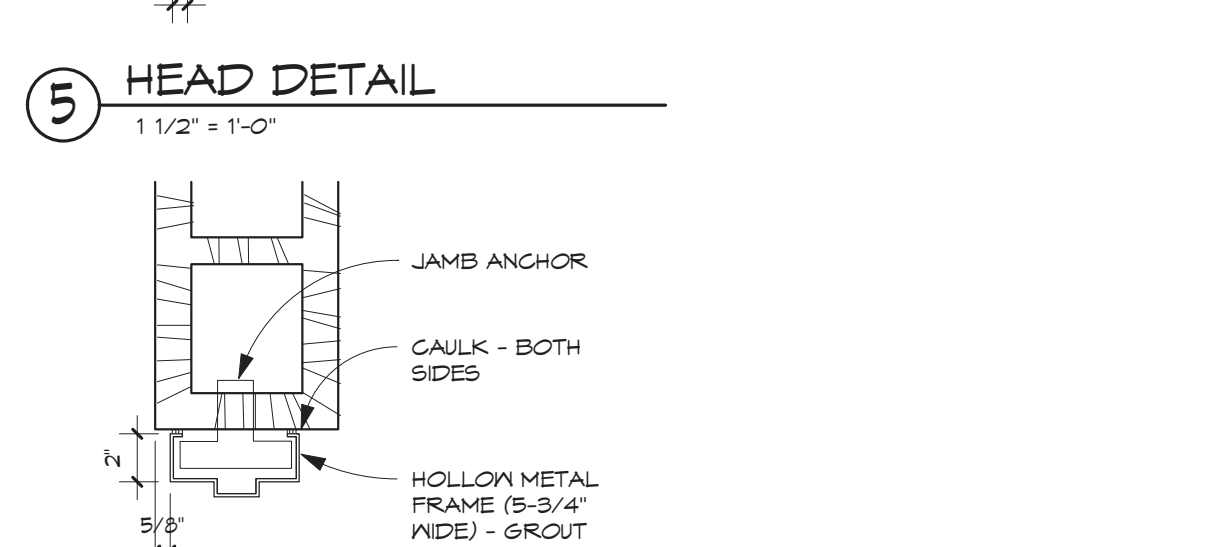
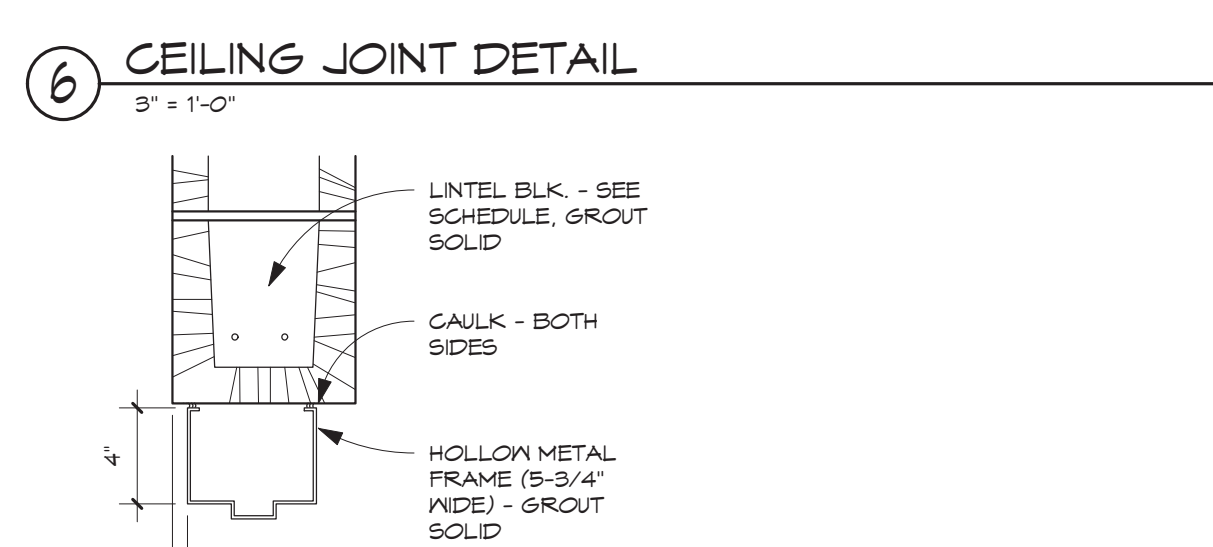
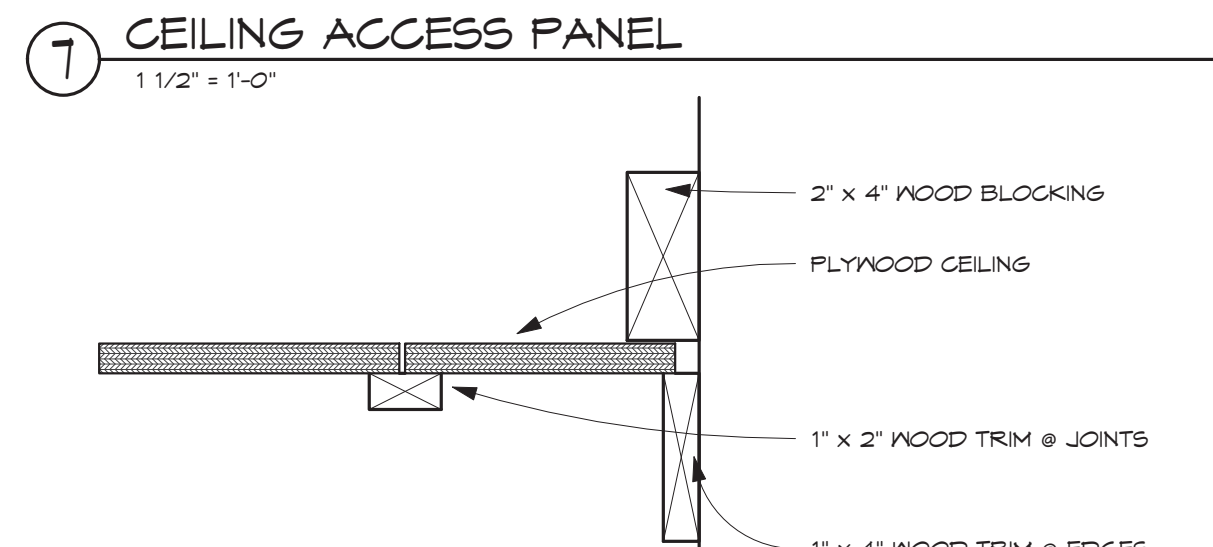
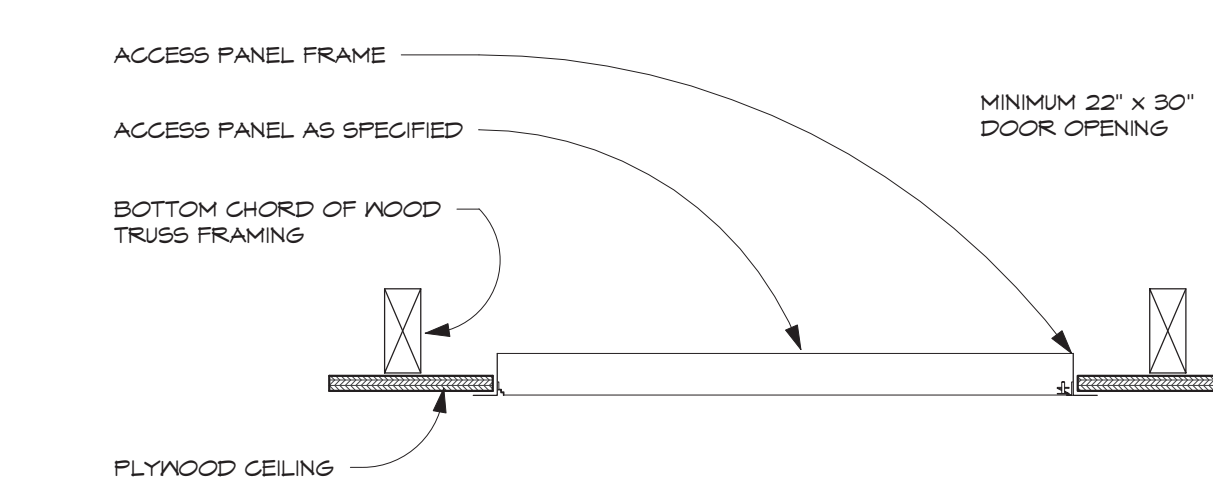
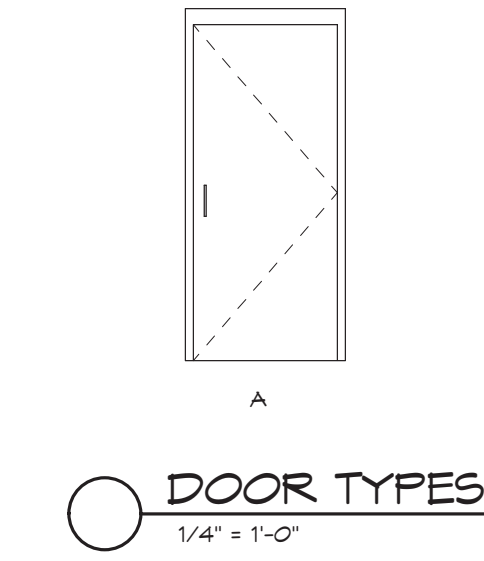
Signage for Restrooms shall be raised and braille characters and pictorial symbol signs. Signs shall be installed on the wall adjacent to the latch side of the door. Where there is no wall space to the latch side of the door, including at double leaf doors, signs shall be placed on the nearest adjacent wall. Mounting height shall be 60 inches above floor.



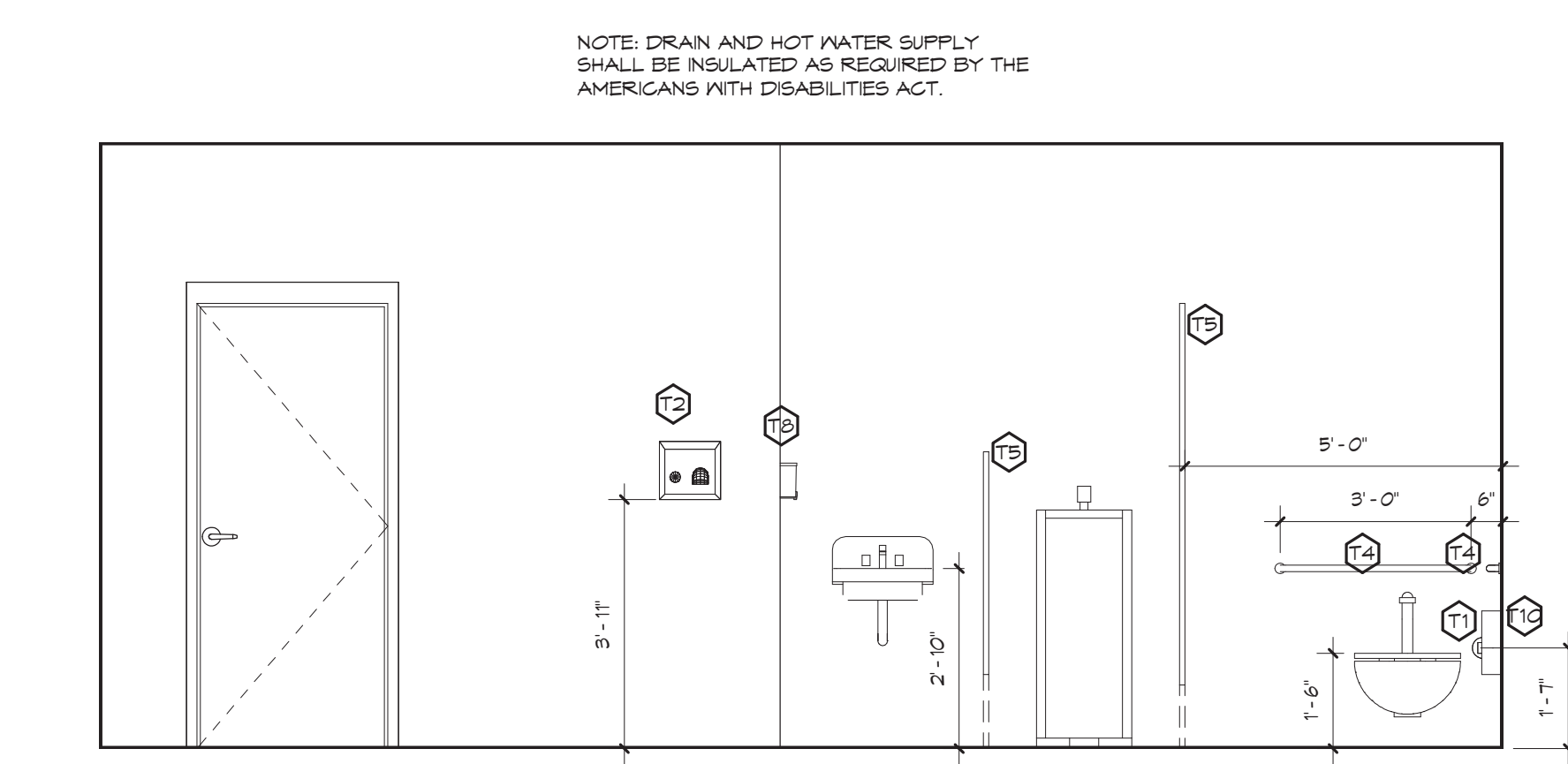
10 ADA SIGNAGE
1/4" = 1'-0"

MARK	TYPE	WIDTH	HEIGHT	DOOR SCHEDULE				FIRE RATING	NOTES			
				DOOR	FRAME	DETAILS	HARDWARE					
120	A	3'-0"	7'-0"	H.M.	P-3	H.M.	P-3	5	4	3	HD-2	-
121	A	3'-0"	7'-0"	H.M.	P-3	H.M.	P-3	5	4	3	HD-2	-
122	A	3'-0"	7'-0"	H.M.	P-3	H.M.	P-3	5	4	3	HD-3	-
123	A	3'-0"	7'-0"	H.M.	P-3	H.M.	P-3	5	4	3	HD-1	-

NUMBER	NAME	AREA	FINISHES				COMMENTS
			FLOOR	BASE	CEILING	WALL	
120	WOMEN	168 SF	CC-1	CC-1	P-1	P-1	
121	MEN	168 SF	CC-1	CC-1	P-1	P-1	
122	CHASE	38 SF	SEALED CONG.	-	P-1	P-1	
123	STORAGE	87 SF	SEALED CONG.	-	P-1	P-1	



9 INTERIOR ELEVATION
3/8" = 1'-0"



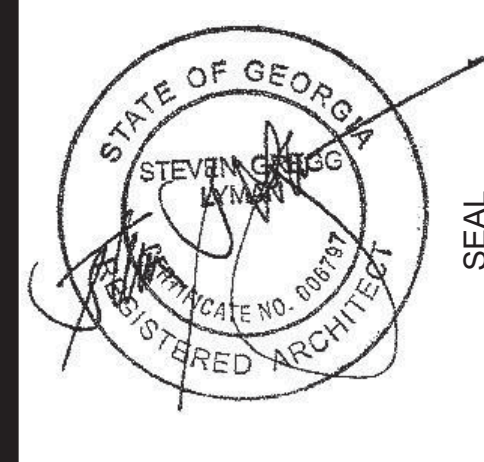
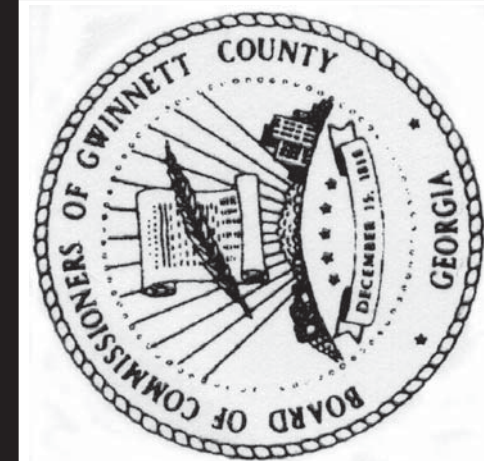
8 INTERIOR ELEVATION
3/8" = 1'-0"

FINISH NOTES	
DOORS, FRAMES & MISC. EXPOSED METAL:	P-3
STANDING BEAM METAL ROOF & GUTTERS:	P-4
HORIZONTAL SOFFIT, FASCIA, & DOWNSPOUTS:	TO MATCH "SHELLSTONE" CMU
TOILET PARTITIONS:	TP-1

FINISHES	
PAINT	
P-1	DURON 5700X "WHITE SHOULDERS" EPOXY INTERIOR
P-2	NOT USED
P-3	DURON 5922M "PATE" 1 SEMI-GLOSS SEMI-GLOSS, EXTERIOR
P-4	COLOR TO MATCH BERRIDGE "PATNA GREEN SEMI-GLOSS, EXTERIOR
BASE	
CC-1	CERAMIC CARPET BY GENERAL POLYMERS
TOILET PARTITIONS	
TP-1	COMTEC, SOLID PLASTIC, "PABLEY"
CERAMIC CARPET	
CC-1	CERAMIC CARPET BY GENERAL POLYMERS, COLOR TO BE SELECTED BY OWNER

HARDWARE SCHEDULE			
HD-1	1 1/2 PR BUTTS	NTBB 11R4 4 1/2" X 5" X 626	HASER
	1 PUSH PLATE	70C X 4 X 16 X 32D	ROCKWOOD
	1 PULL	106 X 70C X 4 X 16 X 32D	ROCKWOOD
	DOOR SEALS	5050	NATL. GUARD PRODUCTS
	DOOR BOTTOM SEAL	200SA	NATL. GUARD PRODUCTS
	1 THRESHOLD	425	NATL. GUARD PRODUCTS
	1 DEADLOCK	837-7K-626-STK	BEST
	1 LATCH GUARD	320	ROCKWOOD
	1 CLOSER	4041-ALUM IV HOLD OPEN	LCN
HD-2	1 1/2 PR BUTTS	NTBB 11R4 4 1/2" X 5" X 626	HASER
	1 DOORSTOP	462	ROCKWOOD
	DOOR SEALS	5050	NATL. GUARD PRODUCTS
	DOOR BOTTOM SEAL	200SA	NATL. GUARD PRODUCTS
	1 THRESHOLD	425HD	NATL. GUARD PRODUCTS
	1 CLOSER	4041-ALUM IV HOLD OPEN	LCN
	1 DEADLOCK	837-75-626-STK	BEST
	1 LATCH GUARD	320	ROCKWOOD
	1 EXIT DEVICE	22NL	VON DUPRIN
	1 ELECTRIC STRIKE	6111 F5E	VON DUPRIN
	1 POWER SUPPLY	COMPATIBLE IV 6111	VON DUPRIN
	1 TIME CLOCK	E101A (120V)	TORK
		(SEE ELECTRICAL FOR INFO. ON ELEC. STRIKE & TIME CLOCK)	
HD-3	1 1/2 PR BUTTS	NTBB 11R4 4 1/2" X 5" X 626	HASER
	1 PULL	106 X 70C X 4 X 16 X 32D	ROCKWOOD
	1 DEADLOCK	837-7K-626-STK	BEST
	3 SILENCERS	1331A	QUALITY

NOTE: ALL LOCKS TO BE BY "BEST ACCESS" AND WORK WITH GWINNETT COUNTY'S MASTER KEY SYSTEM. CONTRACTOR TO COORDINATE.



Breedlove
 Land Planning, Inc.
 Landscape Architects - Site Planners - Consulting Engineers
 510 McDaniel Mill Road
 Conyers, Georgia 30012
 Ph: 770-483-1173 Fax: 770-483-1229 www.landplanning.net

REVISIONS	
No.	DATE DESCRIPTION
1	
2	
3	
4	
5	
6	
7	
8	
9	

PRINTED	
No.	DATE DESCRIPTION
1	07/30/08 PRELIMINARY REVIEW
2	09/05/08 DESIGN DEVELOPMENT
3	10/21/08 PER CONSR. DOCUMENTS
4	12/15/08 PERMIT SUBMITTAL
5	01/16/09 PERMIT RESUBMITTAL
6	03/27/09 ISSUE FOR BID
7	05/15/09 ISSUED FOR CONSTRUCTION
8	
9	

BLP, INC. PROJECT NO: 08031
 DRAWING BY: BCH
 CHECKED BY: DCM

**Rabbit Hill Park
 Improvements**
 400 Rabbit Hill Road
 Dacula, Georgia 30019

Gwinnett County
 Parks & Recreation
 Department
 75 Langley Drive
 Lawrenceville, GA 30045

LDD PROJECT #: 108037.00

Lyman Davidson Dooley, Inc.
 ARCHITECTS
 INTERIOR DESIGNERS
 PLANNERS

RESTROOM (COMFORT STATION) - DETAILS, ELEVS. & SCHEDULES

AR201