

SPLIT-SYSTEM HEAT PUMP SCHEDULE

MARK	COOLING *				HEATING **				BASIS OF DESIGN			
	TOTAL	SEN	DBF	MBF	MIN.	ELEC.	REV. CYCLE	ESP	SA	INDOOR UNIT	HEAT PUMP	
AC-2/HP-2	17.3	12.5	86.0	67.0	14.5/11.7	8.0	10.5	2.3	925	0.5	7/3	CARRIER FX4C 018

* REQUIRED COOLING - UNIT CAPACITIES ARE AT 95F DB AMBIENT OAT.
** REVERSE CYCLE HEATING & COP IS AT 41F ARI TEMPERATURE.
*** AUXILIARY ELECTRIC HEAT NOMINAL CAPACITY BASED ON VOLTAGE RATING OF 240V.

DUCTLESS SPLIT SYSTEM SCHEDULE

MARK	TOTAL COOLING CAPACITY		REVERSE CYCLE HEATING CAPACITY		BASIS OF DESIGN		REMARKS
	DBF	MBF	BTUH	KWH	INDOOR UNIT	OUTDOOR UNIT	
AC-1/HP-1	80	67	18000	13000	1.4	700	75

* REQUIRED COOLING - UNIT CAPACITIES ARE AT 95F DB AMBIENT OAT.
** REVERSE CYCLE HEATING IS AT 17F ARI TEMPERATURE.
① REQUIRE LISTED ACCESSORY PARTS FOR UNIT:
1-PAC2530
2-PAC2530
3-PAC538K-E
② PROVIDE WIRED WALL MOUNT THERMOSTAT.

ELECTRIC HEATER SCHEDULE

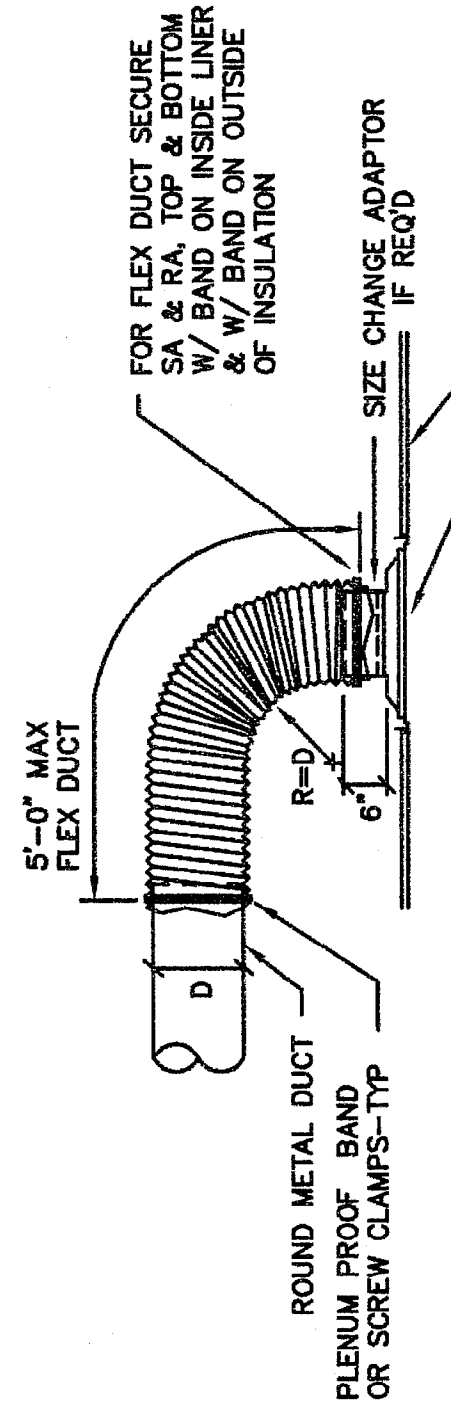
MARK	TYPE	KW	BASIS OF DESIGN	REMARKS
EWH-1A2	ELECTRIC UNIT HEATER	5.0	MARKET 5105 SERIES	① ② ③
EWH-1	ELECTRIC WALL HEATER	3.0	MARKET 3423 SERIES	① ②

REMARKS:
① RECESSED
② SURFACE MTD
③ INTEGRAL TSTAT
④ WALL TSTAT
⑤ SLP-IN TYPE
⑥ HINGED ACCESS
⑦ AIR FLOW SWITCH
⑧ AUTO RESET THERMAL CUTOFF
⑨ HORIZONTAL DISCHARGE
⑩ FRAME FOR HARD CLG
⑪ SUMMER FAN SWITCH
⑫ MOUNTING BRACKET
⑬ HORIZONTAL DISCHARGE

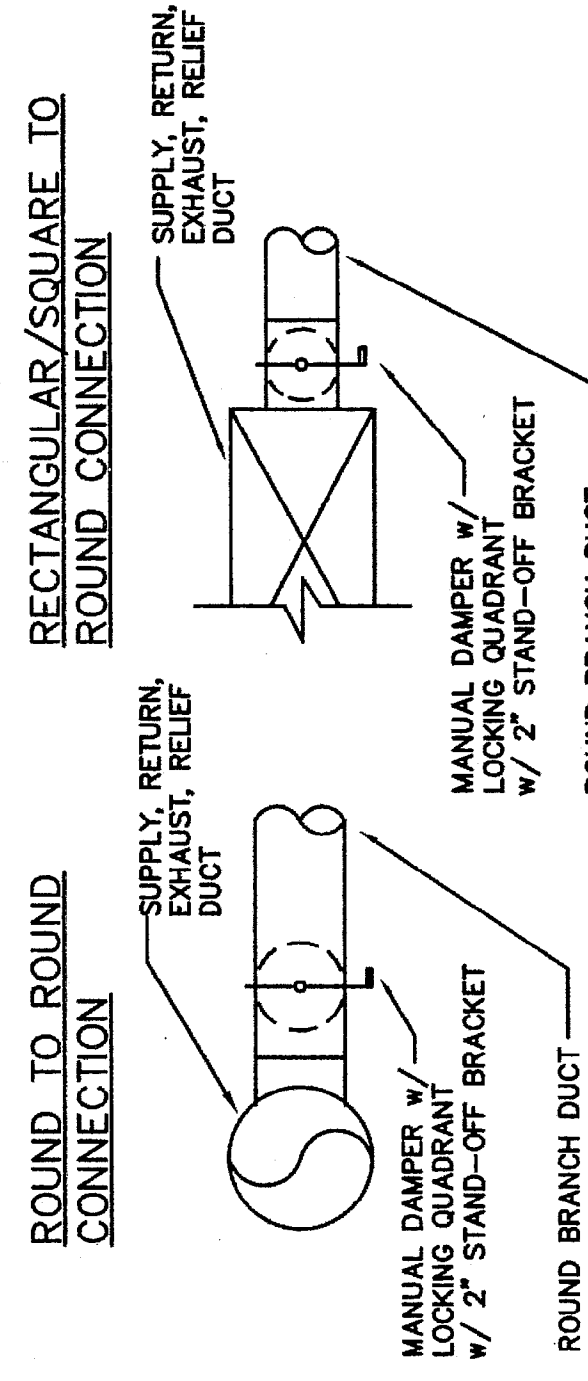
FAN SCHEDULE

MARK	FAN DATA				BASIS OF DESIGN	
	CFM	E.S.P. IN.W.C.	HP	DRIVE	FAN TYPE	GREENCHECK
F-1E-1	125	0.375"	0.7	48W	77B	DIRRECT SW

SW-INTERLOCK WITH DIV. 16 LIGHT SWITCH



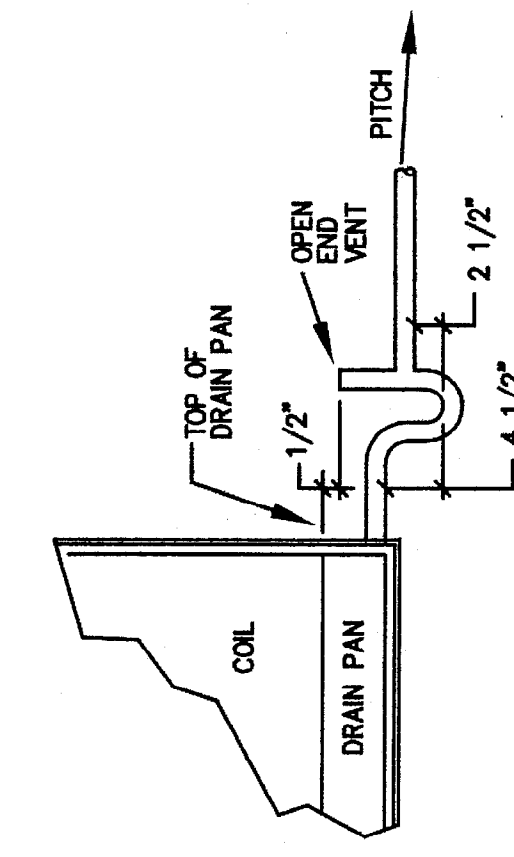
TYPICAL DIFFUSER CONNECTION DETAIL
NO SCALE



ROUND TO ROUND CONNECTION
NO SCALE



RECTANGULAR/SQUARE TO RECTANGULAR/SQUARE CONNECTION
NO SCALE



CONDENSATE DRAIN TRAP DETAIL
NO SCALE

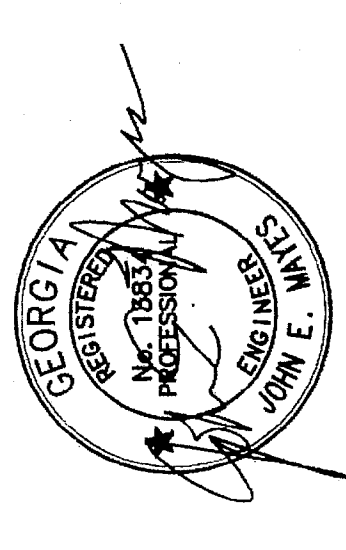
AC LEGEND

DUCTWORK	DUCTWORK	DUCTWORK	DESCRIPTION
DOUBLE LINE	SINGLE LINE	SINGLE LINE	
12x6	[Symbol]	[Symbol]	DUCT (WIDTH x DEPTH)
[Symbol]	[Symbol]	[Symbol]	DUCT TURNED UP (SUPPLY)
[Symbol]	[Symbol]	[Symbol]	DUCT TURNED DOWN (SUPPLY)
[Symbol]	[Symbol]	[Symbol]	RISE IN DIRECTION OF FAN TURN
[Symbol]	[Symbol]	[Symbol]	DROP IN DIRECTION OF FAN TURN
[Symbol]	[Symbol]	[Symbol]	SPLITTER DAMPER
[Symbol]	[Symbol]	[Symbol]	DUCT TURN WITH RADIUS ELBOW
[Symbol]	[Symbol]	[Symbol]	TRANSITION
[Symbol]	[Symbol]	[Symbol]	DRAIN
[Symbol]	[Symbol]	[Symbol]	OUTSIDE AIR
[Symbol]	[Symbol]	[Symbol]	SUPPLY AIR
[Symbol]	[Symbol]	[Symbol]	HEAT PUMP UNIT
[Symbol]	[Symbol]	[Symbol]	TOILET EXHAUST
[Symbol]	[Symbol]	[Symbol]	REFRIGERANT LIQUID
[Symbol]	[Symbol]	[Symbol]	DOWN
[Symbol]	[Symbol]	[Symbol]	DOOR GRILLE

ABBREVIATIONS
D OA SA HP PE RD RL DN

DIFFUSERS-REGISTERS AND GRILLES

MARK	NECK	DESCRIPTION
S-1A	6"	SQUARE 3-CONE CEILING DIFFUSER, ADJUSTABLE PATTERN, ALL STEEL CONSTRUCTION, (ALUMINUM CONSTRUCTION FOR WET AREAS), 24x24 MODULE
S-1B	6"	SQUARE 3-CONE CEILING DIFFUSER, ADJUSTABLE PATTERN, ALL STEEL CONSTRUCTION, (ALUMINUM CONSTRUCTION FOR WET AREAS), 24x24 MODULE
S-1C	10"	SQUARE 3-CONE CEILING DIFFUSER, ADJUSTABLE PATTERN, ALL STEEL CONSTRUCTION, (ALUMINUM CONSTRUCTION FOR WET AREAS), 24x24 MODULE
S-1D	12"	SQUARE 3-CONE CEILING DIFFUSER, ADJUSTABLE PATTERN, ALL STEEL CONSTRUCTION, (ALUMINUM CONSTRUCTION FOR WET AREAS), 24x24 MODULE
S-1E	14"	SQUARE 3-CONE CEILING DIFFUSER, ADJUSTABLE PATTERN, ALL STEEL CONSTRUCTION, (ALUMINUM CONSTRUCTION FOR WET AREAS), 24x24 MODULE
E-1	SIZE AS SHOWN ON DRAWINGS	ALUMINUM EGROGRATE EXHAUST GRILLE 1/2 x 1/2 x 1/2 ALUMINUM GRID & FRAME SURFACE MOUNT OR LAY-IN FRAME THIS 5CF OR EQUAL
DG	SIZE AS SHOWN ON DRAWINGS	NON-VISION DOOR GRILLE, INVERTED V-BLADES, STEEL CONSTRUCTION, FLANGED BORDER WITH AUXILIARY BORDER, TITUS 1-700 OR EQUAL



Gardner Spencer Smith & Tench & Jarbeau
A Professional Corporation
127 Peachtree St., NE
Suite 1020
Atlanta, Georgia 30308
404-522-8806
404-521-2118 (f)
www.gsstj.com

PROJECT NO: 09102
SHEET TITLE: REFEREE OUTBUILDING - HVAC FLOOR PLAN
SHEET NO: M-1