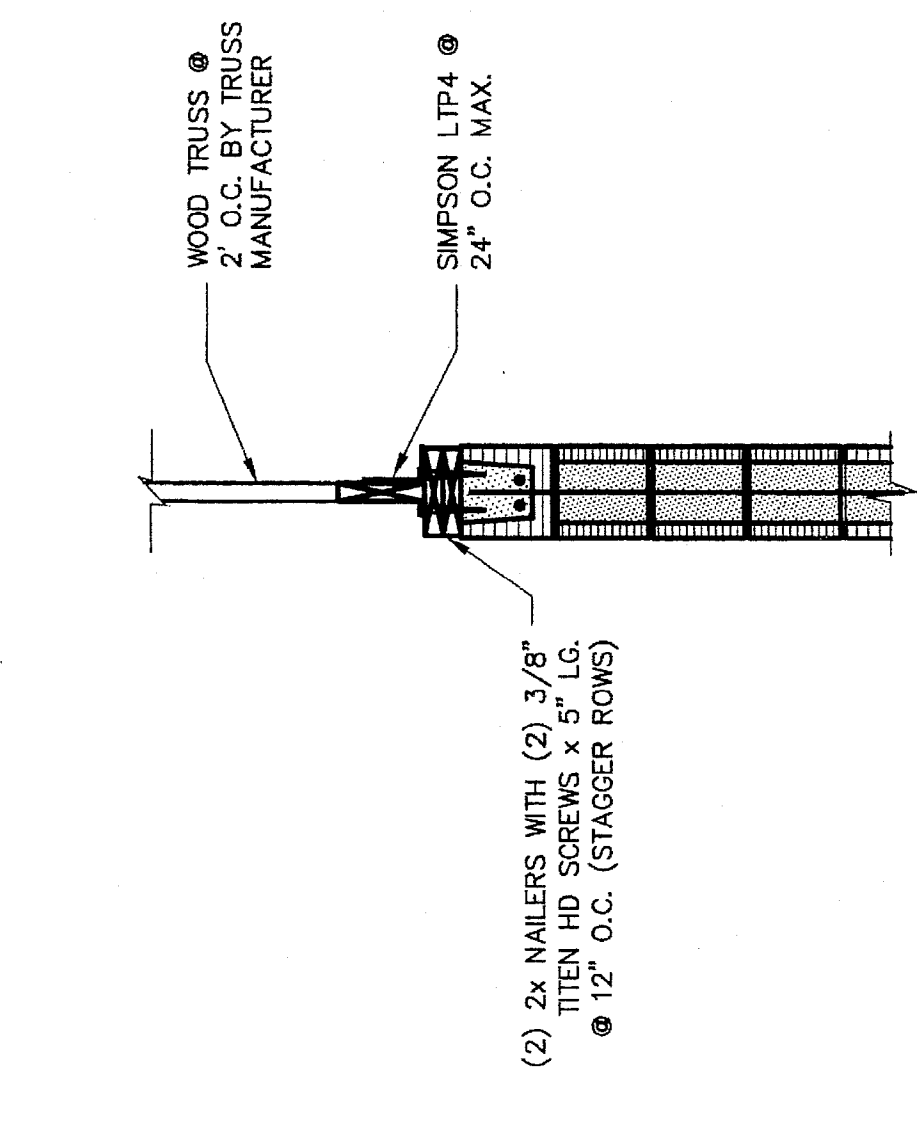
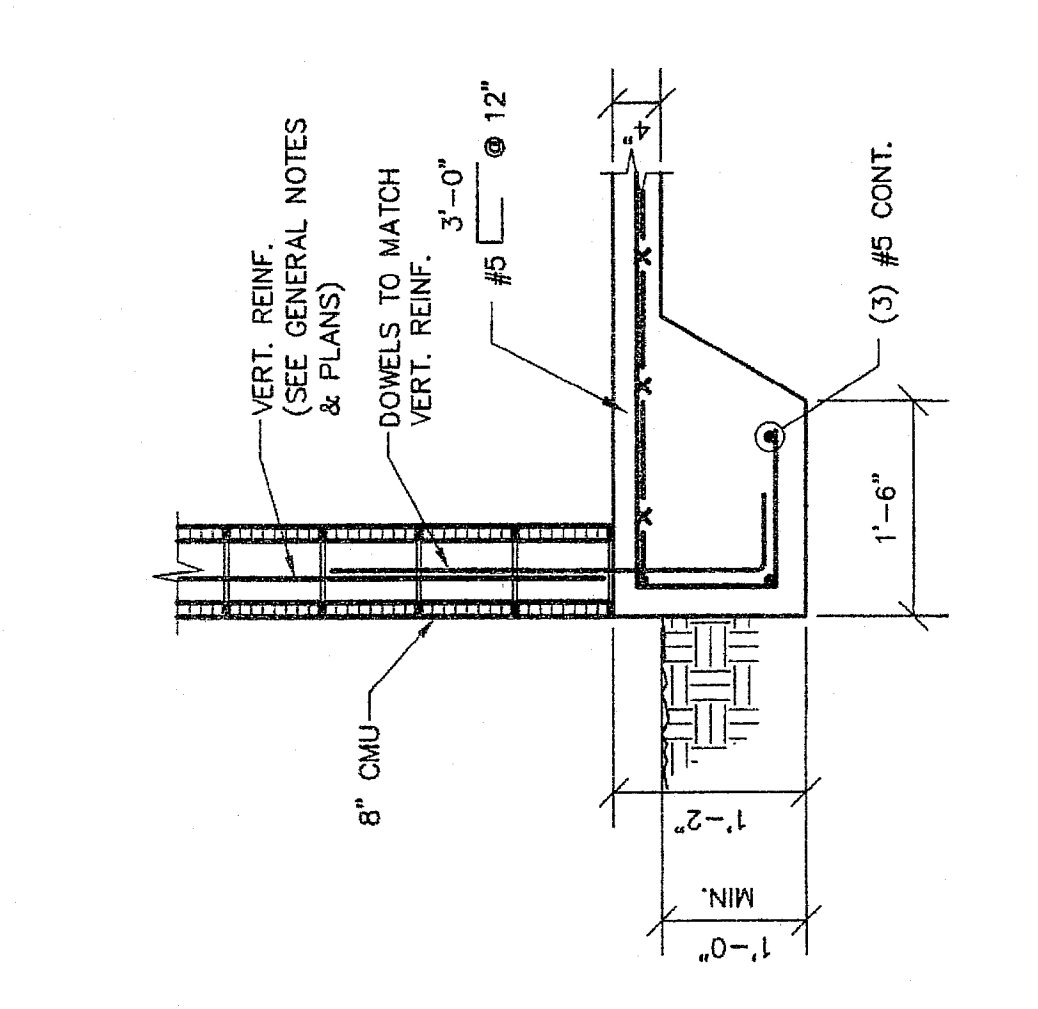
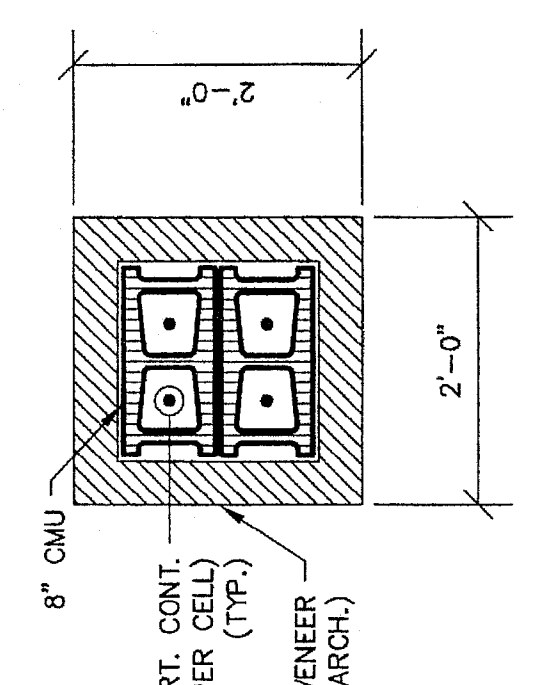
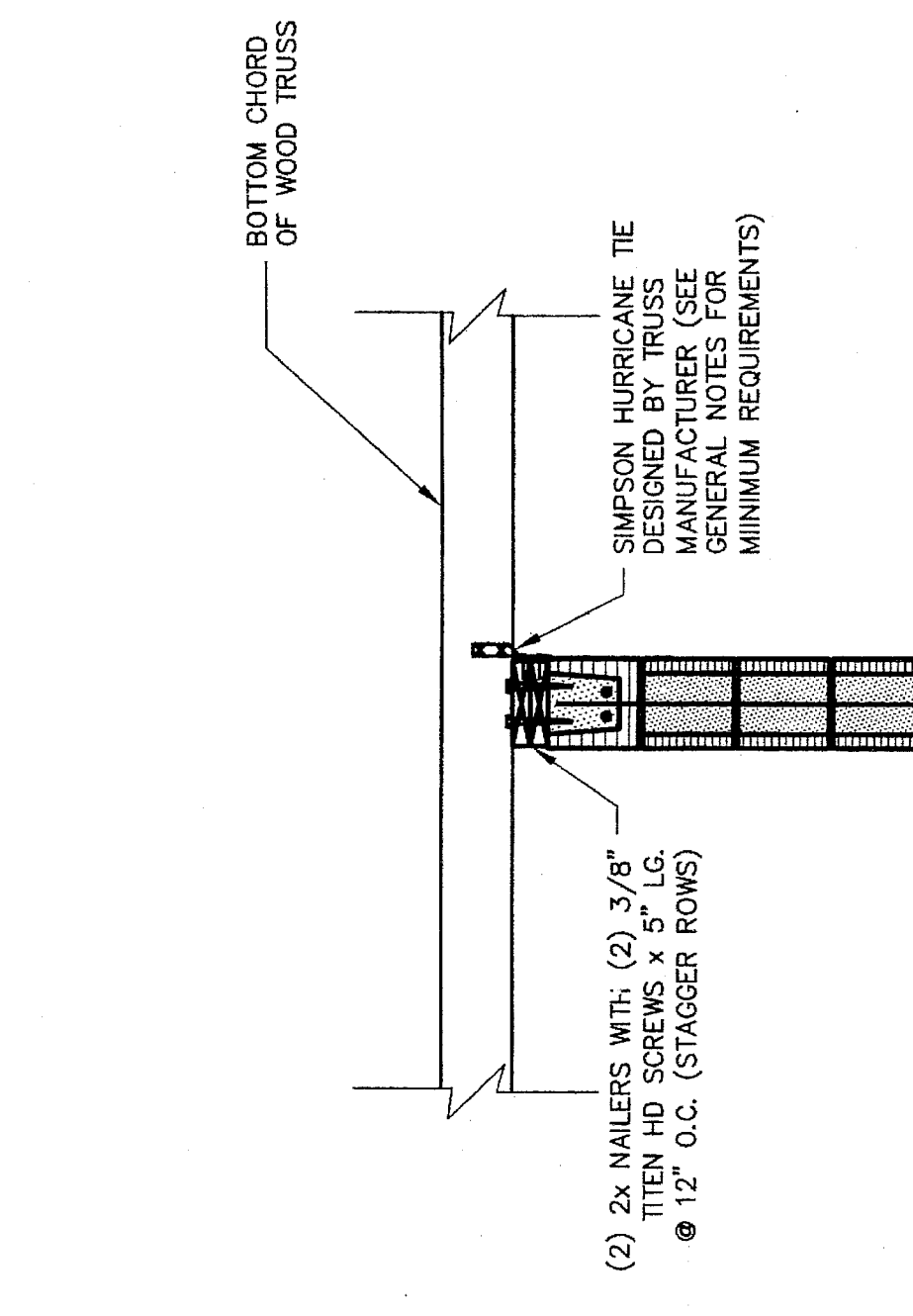
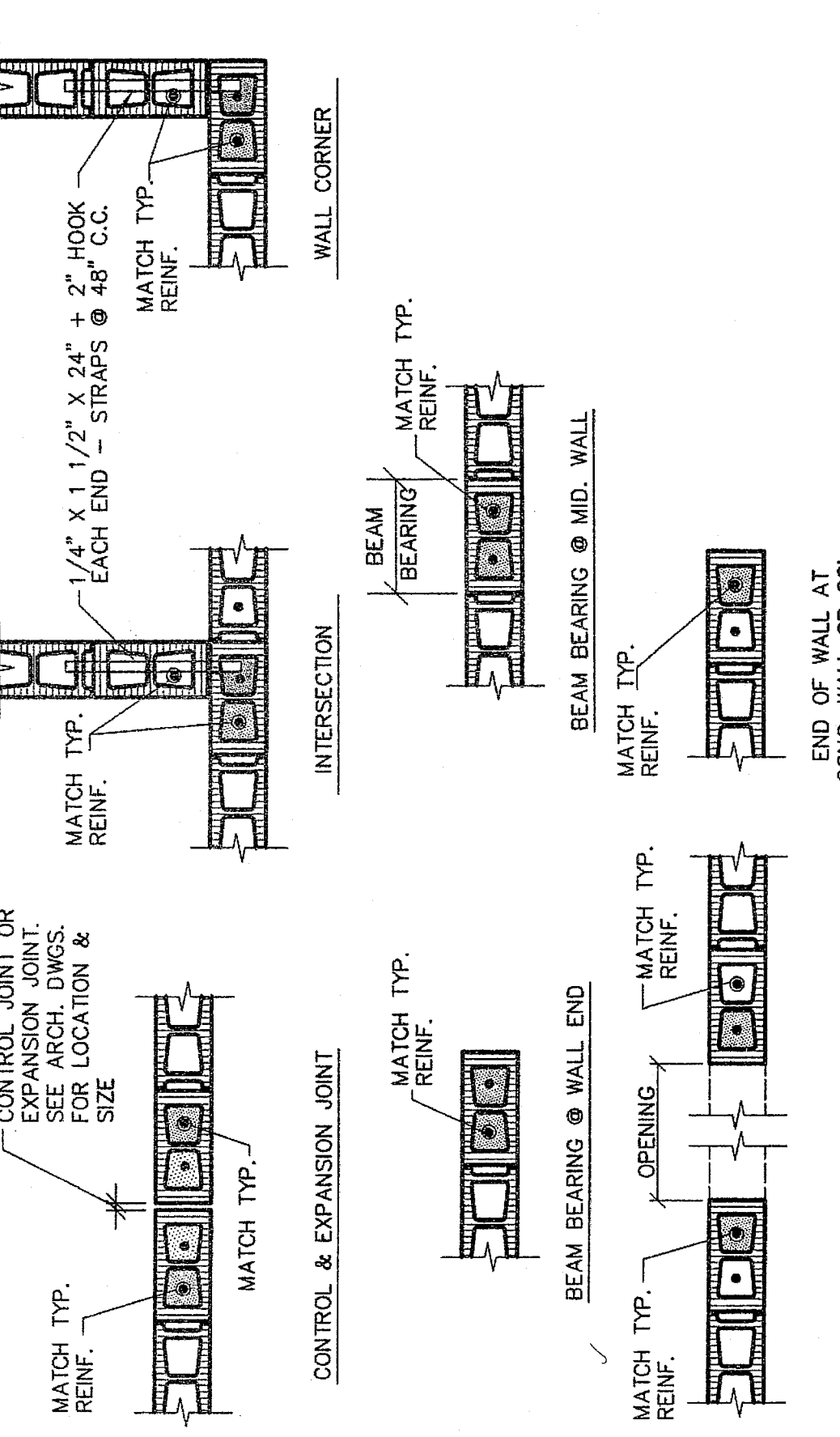
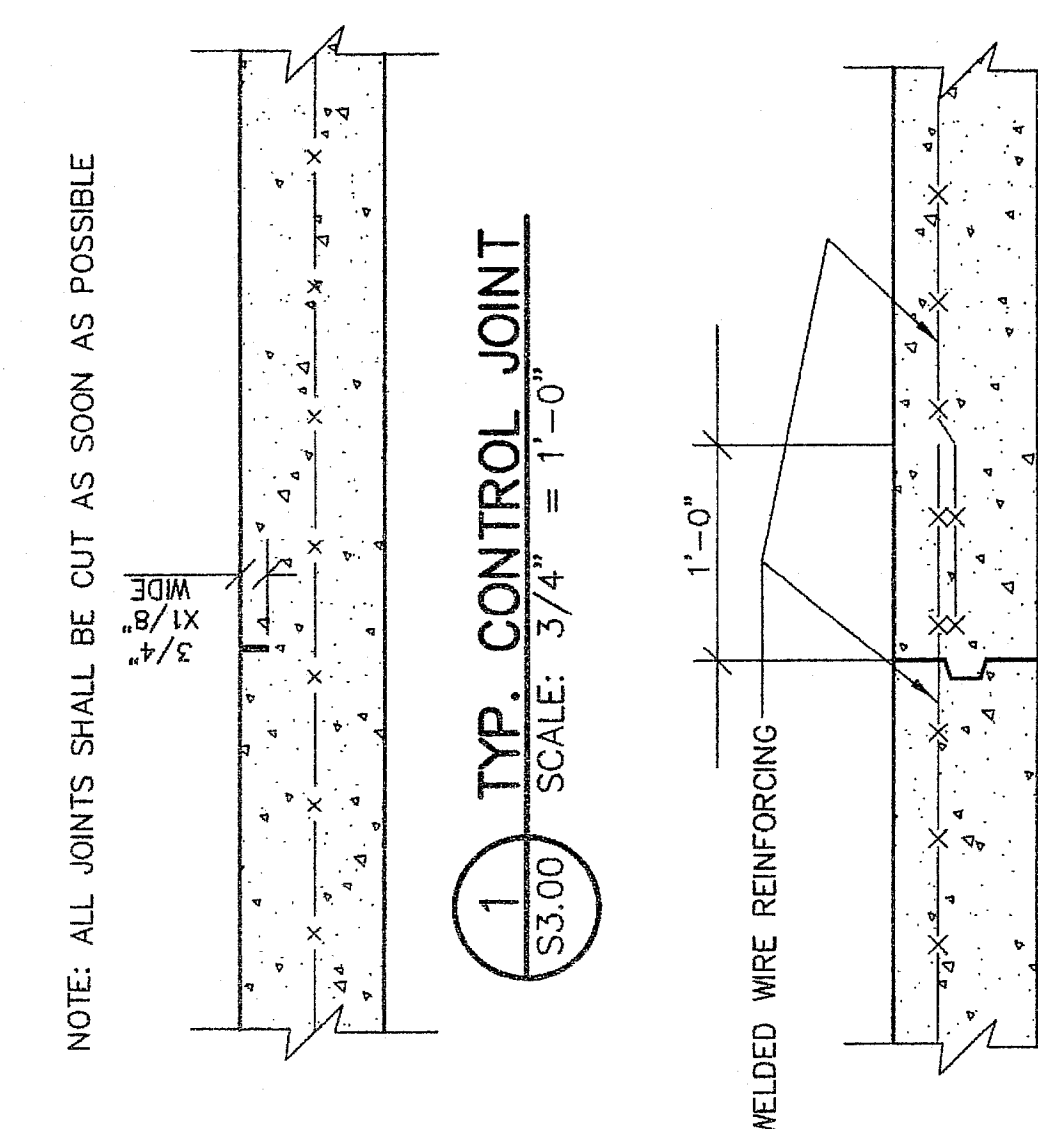


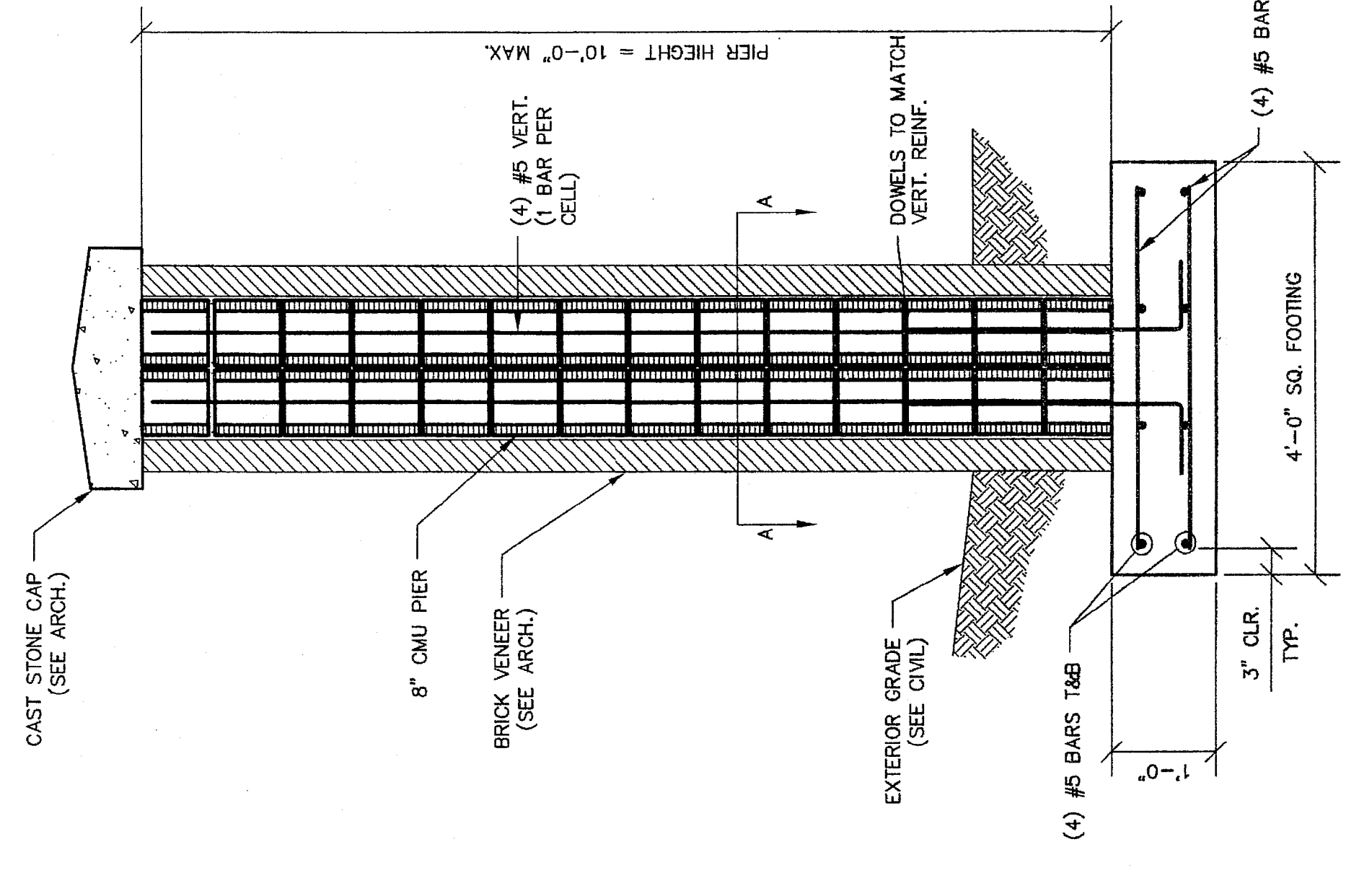
NOTE: DETAIL OCCURS WHERE ROOF TRUSSES ARE PARALLEL TO WALL BELOW BUT DO NOT OCCUR AT CENTERLINE OF WALL.



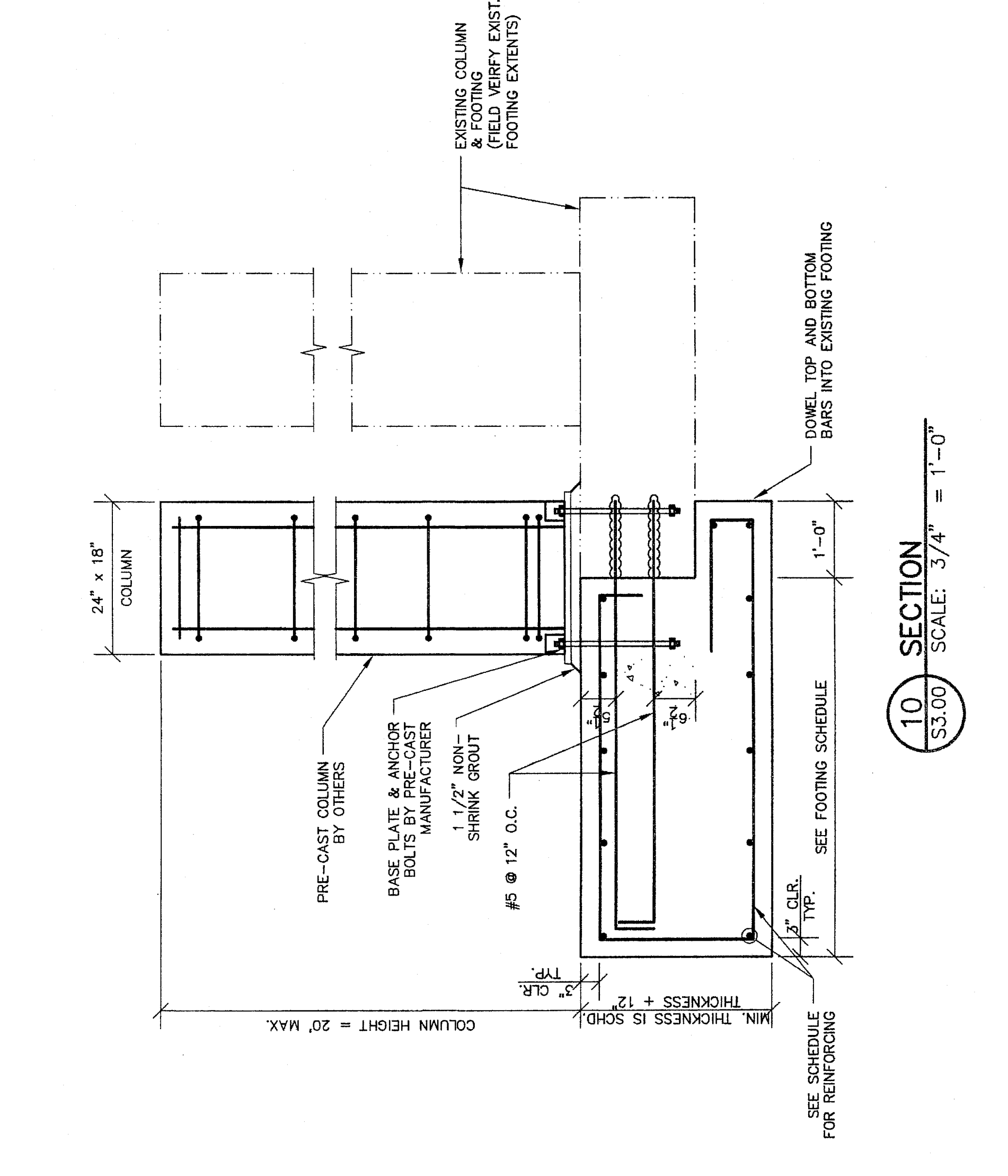
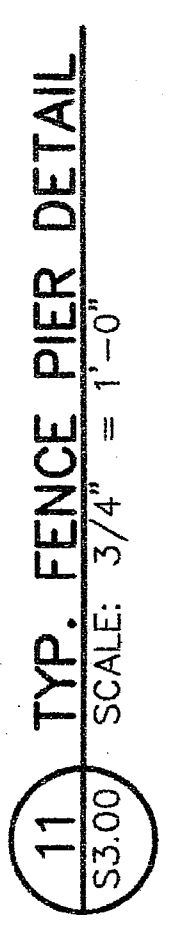
NOTE: DETAIL OCCURS WHERE ROOF TRUSSES ARE PARALLEL TO CENTERLINE OF WALL BELOW.



NOTES: DETAIL OCCURS WHERE ROOF TRUSSES ARE PERPENDICULAR TO WALL BELOW



NOTE: SEE ARCHITECTURAL DRAWING A1.04 FOR PER LOCATIONS AND SPACING. FOR INFORMATION NOT SHOWN, SEE ARCHITECTURAL DETAILS B/A1.04 & C/A1.04.



NOTE: DETAIL OCCURS WHERE ROOF TRUSSES ARE PERPENDICULAR TO WALL BELOW

